

SCHEMATIC

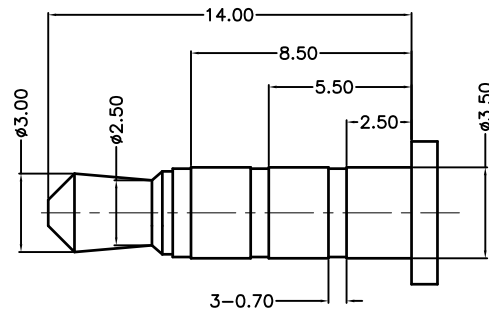
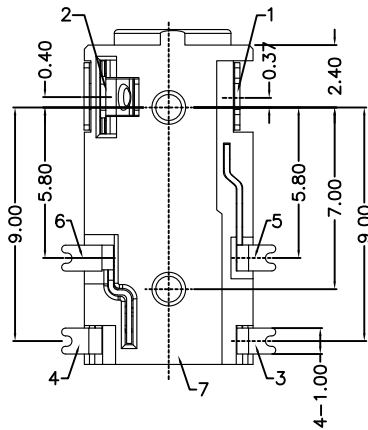
SPECIFICATIONS:

1. ELECTRICAL CHARACTERISTICS:

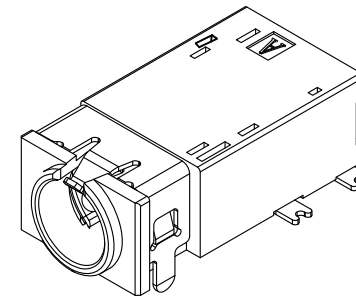
- 1.1 CURRENT RATING: 12V&1A MAX.
- 1.2 CONTACT RESISTANCE: 50mOHMS MAX.
- 1.3 DIELECTRIC VOLTAGE WITHSTAND :500V AC FOR ONE MINUTE
- 1.4 INSULATION RESISTANCE:100MOHMS MIN. MEASURED BY 500V DC

2. MECHANICAL CHARACTERISTICS:

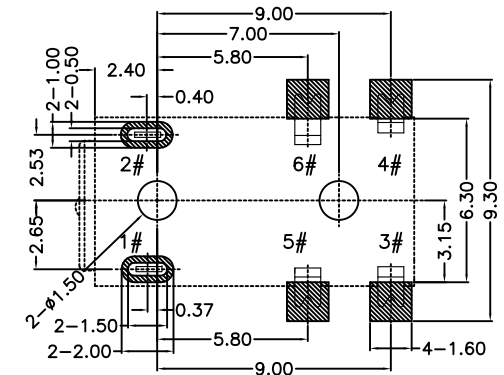
- 2.1 INSERTION FORCE:3~30N
- 2.2 WITHDRAWAL FORCE:3~30N
- 3. LIFE TEST:5000 CYCLES
- 4. ENVIRONMENTAL: OPERATING TEMPERATURE:-40°C~85°C
- 5. SALT SPRAY:24H AT 35°C WITH 5%-SALT-SOLUTION CONCENTRATION.
- 6. PACKAGE: TAPE&REEL



(φ3.50mm 4 POLE PLUG DETAIL DRAWING)



3D VIEW



Recommended PCB Layout(TOP VIEW)
(Tolerance:±0.05)

| | | | | TOLERANCE UNLESS SPECIFIED | | | | | | | |
|-----|------------|----------|-----|----------------------------|---|---------|---|------------|----------------|-------|--|
| 7 | HOUSING | PPA | 1 | BLACK | | | | | | | |
| 6 | CONTACT 6# | PBS | 1 | Ni/Au-PLATED | UP TO 5mm:±0.1 | ANGULAR | 1 | | | | |
| 5 | CONTACT 5# | PBS | 1 | Ni/Au-PLATED | ABOVE 5mm:±0.2 | ±1° | | | | | |
| 4 | CONTACT 4# | PBS | 1 | Ni/Au-PLATED | | | | | | | |
| 3 | CONTACT 3# | PBS | 1 | Ni/Au-PLATED | | | | | | | |
| 2 | CONTACT 2# | PBS | 1 | Ni/Au-PLATED | | | | | | | |
| 1 | CONTACT 1# | PBS | 1 | Ni/Au-PLATED | | | | | | | |
| NO. | PART NAME | MATERIAL | QTY | FINISHING | TITLE: PHONE JACK | | | UNIT : MM | ROHS COMPLIANT | DWN | |
| | | | | | MODEL: PJ-3136A | | | SCALE: 1:1 | | CHK'D | |
| | | | | | HAOYU(HONGKONG)LIMITED 皓宇(香港)有限公司 | | | | | APPD | |
| | | | | | | | | | | | |

X-ON Electronics

Largest Supplier of Electrical and Electronic Components

Click to view similar products for [Phone Connectors](#) category:

Click to view products by [HOOYA](#) manufacturer:

Other Similar products are found below :

[R4F](#) [14412GX](#) [E12BPKG](#) [MT333X](#) [171-3302-EX](#) [NC3MG-V](#) [NP2RX-AU-SILENT-D](#) [JM2PB-AU BULK](#) [S2674](#) [280L](#) [RJ5VI-S](#) [TM1R-AU](#) [TM2PJ-AU](#) [TM2PJ-AU BULK](#) [TS3PBJ-AU](#) [TS3PBMJ-AU](#) [MP-101](#) [54B](#) [T10711](#) [MT334F](#) [NJ3FP6F-P](#) [NPX-PROMO](#) [JS3PB-AU BULK](#) [XMT332A](#) [114BPCSX](#) [CMT334B](#) [AA0-A4830-A00](#) [PJ-218](#) [PJ-320-3P SMT](#) [PJ-321A](#) [PJ-393-8P](#) [KH-PJ-327D-SMT](#) [PJ-320D](#) [PJ-3106M](#) [PJ-376](#) [PJ-368](#) [PJ-624](#) [PJ-339](#) [PJ-3200B](#) [RCJ-017](#) [PJ-307B-1.3-01](#) [PJ-324](#) [PJ-324M](#) [PJ-313D](#) [PJ-313](#) [PJ-227](#) [PJ-3106AC1](#) [PJ-3505A](#) [PJ-321](#) [KH-PJ-307-5P](#)