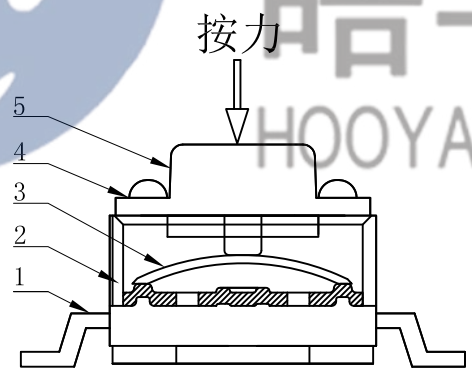
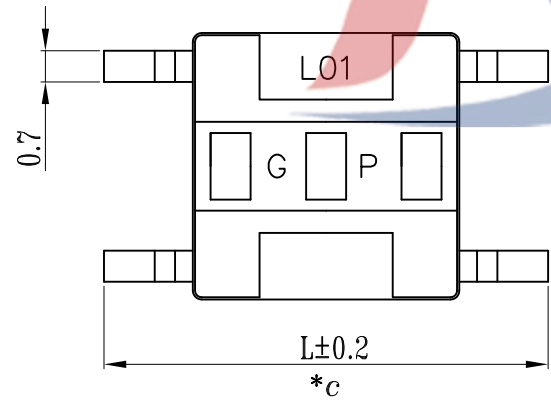


SCHEMATIC

P.C.B LAYOUT



皓宇电子  
HOOYA ELECTRONICS

SPECIFICATION

1. Rating : DC12V 50mA.
2. Contact resistance: ≤100mΩ.
3. Insulation resistance: ≥100MΩ (DC100V).
4. Withstanding voltage: 250VAC .
5. Operating Force: 200±100gf.
6. Travel: 0.25±0.1mm.
7. life test: 100,000 cycles.
8. Operation temperature range: -25℃~85℃.
9. Sign"\* "is importance dimension.

| 高度            |   |
|---------------|---|
| H=4.5mm       | ✓ |
| H=5.0mm       |   |
| H=5.5mm       |   |
| H=6.0mm       |   |
| H=7.0mm       |   |
| H=7.5mm       |   |
| H=8.0mm       |   |
| H=9.0mm       |   |
| H=(10 - 27)mm |   |

| 脚距 L   |  |
|--------|--|
| 8.0 mm |  |
| 8.8 mm |  |
| 9.8 mm |  |

|     |           |           |     | TOLERANCE UNLESS SPECIFIED |   |    |      |           |         |    |       |  |
|-----|-----------|-----------|-----|----------------------------|---|----|------|-----------|---------|----|-------|--|
|     |           |           |     | <1.5: ±0.1mm               | ANGULAR   |    |      |           |         |    |       |  |
|     |           |           |     | >1.5~5.0: ±0.25mm          | ±1°   |    |      |           |         |    |       |  |
|     |           |           |     | >5.0: ±0.3mm               |   | NO | DATE | REVISIONS |         | BY | APPD  |  |
| 5   | KNOB      | PA9T      | 1   | BLACK/RED                  | TITLE: TACT SWITCH      UNIT : MM      ROHS COMPLIANT<br>MODEL: TC-06104-045E      SCALE: 1:1<br>DONGGUANG HAOYU ELECTRONICS CO., LTD<br>皓宇 HOOYA 东莞市弘皓电子有限公司 |    |      |           |         |    | DWN   |  |
| 4   | COVER     | BRASS/SUS | 1   | Sn-Plating                 |   |    |      |           |         |    | CHK'D |  |
| 3   | CONTACT   | SUS       | 1   | Ag-Plated                  |   |    |      |           |         |    | APPD  |  |
| 2   | CASE      | PA9T      | 1   | BLACK                      |   |    |      |           |         |    |       |  |
| 1   | TERMINAL  | BRASS     | 1   | Ag-Plated                  |   |    |      |           |         |    |       |  |
| NO. | PART NAME | MATERIAL  | QTY | FINISHING                  | PRO.AGL:  |    |      |           | REV :A0 |    |       |  |

## X-ON Electronics

Largest Supplier of Electrical and Electronic Components

*Click to view similar products for [Tactile Switches](#) category:*

*Click to view products by [HOOYA](#) manufacturer:*

Other Similar products are found below :

[6407-250V-25273P](#) [ADTSA62NV](#) [B3F-3123](#) [1977177-8](#) [1977266-1](#) [ADTSA63NV](#) [ADTSM21NSVTR](#) [ADTSM25RVTR](#) [ADTSM32NVTR](#)  
[ADTSMW64RV](#) [1977120-6](#) [FSMRA4JHA04](#) [GS4.70F300QP](#) [KSC241J SP DELTA LFS](#) [3FTL600RAS](#) [3FTL640RAS](#) [6407-250V-25343P](#)  
[ADTSM31NVTR](#) [2-1977120-7](#) [TSJW-5.2-260-TR](#) [Y651050400P](#) [KMT011MNGJLHS](#) [70-201.0](#) [ADTSG648NV](#) [ADTSM62KSVTR](#)  
[ADTSM648NV](#) [95C06E3RAT](#) [3ATH9Q](#) [FSMRA8JHA04](#) [HARS0073](#) [Y33R411N9FPLFT](#) [Y33R51139FPLFT](#) [Y31C01402FPLFS](#)  
[PTS645SK50SMTR92](#) [ADTSM32NVB](#) [KMS233GPWTLFG](#) [Y78B64124FP](#) [Y31CJ244KFP LFS](#) [Y96D113G0FP LFS](#) [Y33A812C5FP LFT](#)  
[Y56B2D120FP LFS](#) [Y31C5144KFP LFS](#) [PTS645 DVM83-BN125-2 LFS](#) [B3W 1000G](#) [KSC621G OL LFS](#) [B3F 1002C](#) [B3F 0047H](#) [B3W](#)  
[1002C](#) [B3F 5001G](#) [B3W 1100C](#)