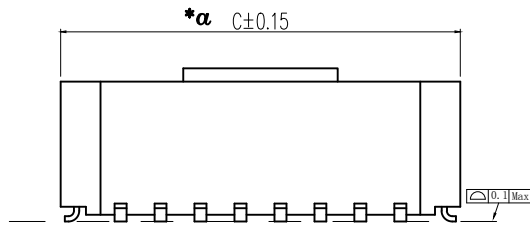
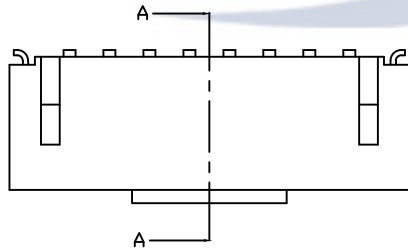
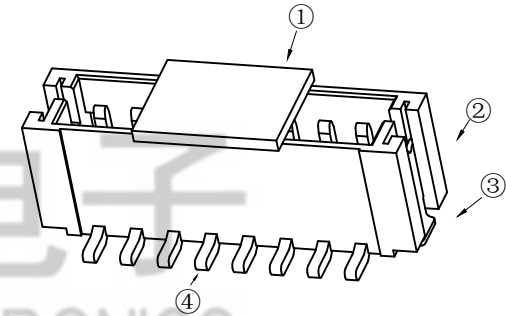
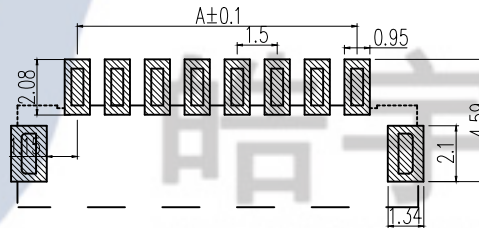
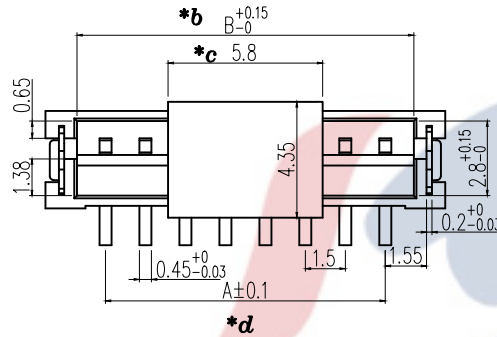
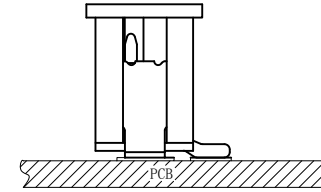
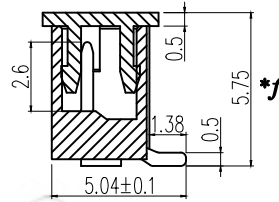


# HAOYU



截面 A-A



| Circuits     | Dimensions (mm) |       |       | Circuits     | Dimensions (mm) |       |       |
|--------------|-----------------|-------|-------|--------------|-----------------|-------|-------|
|              | A               | B     | C     |              | A               | B     | C     |
| ZH1500-LT-2  | 1.5             | 3.66  | 6.02  | ZH1500-LT-12 | 16.5            | 18.66 | 21.02 |
| ZH1500-LT-3  | 3.0             | 5.16  | 7.52  | ZH1500-LT-13 | 18.0            | 20.16 | 22.52 |
| ZH1500-LT-4  | 4.5             | 6.66  | 9.02  | ZH1500-LT-14 | 19.5            | 21.66 | 24.02 |
| ZH1500-LT-5  | 6.0             | 8.16  | 10.52 | ZH1500-LT-15 | 21.0            | 23.16 | 25.52 |
| ZH1500-LT-6  | 7.5             | 9.66  | 12.02 | ZH1500-LT-16 | 22.5            | 24.66 | 27.02 |
| ZH1500-LT-7  | 9.0             | 11.16 | 13.52 | ZH1500-LT-17 | 24.0            | 26.16 | 28.52 |
| ZH1500-LT-8  | 10.5            | 12.66 | 15.02 | ZH1500-LT-18 | 25.5            | 27.66 | 30.02 |
| ZH1500-LT-9  | 12.0            | 14.16 | 16.52 | ZH1500-LT-19 | 27.0            | 29.16 | 31.52 |
| ZH1500-LT-10 | 13.5            | 15.66 | 18.02 | ZH1500-LT-20 | 28.5            | 30.66 | 33.02 |
| ZH1500-LT-11 | 15.0            | 17.16 | 19.52 |              |                 |       |       |

|     |             |          |     |            | TOLERANCE<br>UNLESS SPECIFIED           |         |    |            |           |       |    |          |
|-----|-------------|----------|-----|------------|---|---------|----|------------|-----------|-------|----|----------|
|     |             |          |     |            | UP TO 5mm: ±0.1                         | ANGULAR |    |            |           |       |    |          |
|     |             |          |     |            | ABOVE 5mm: ±0.2                         | ±1°     | NO | DATE       | REVISIONS |       | BY | APPD     |
| 4   | CONTACT PIN | BRASS    | X   | SN-PLATING | TITLE: CONNECTOR                        |         |    | UNIT : MM  | ROHS      | DWN   |    |          |
| 3   | SOLDER PAD  | BRASS    | 2   | SN-PLATING | MODEL:ZH1500-LT-XX                      |         |    | SCALE: 6:1 | COMPLIANT | CHK'D |    |          |
| 2   | CASE        | LCP      | 1   |            | HOOYA (HONG KONG) LIMITED<br>皓宇(香港)有限公司 |         |    |            |           | APPD  |    |          |
| 1   | COVER PLATE | LCP      | 1   |            |   |         |    |            |           |       |    | PRO.AGL: |
| NO. | PART NAME   | MATERIAL | QTY | FINISHING  |   |         |    |            |           |       |    |          |

## X-ON Electronics

Largest Supplier of Electrical and Electronic Components

*Click to view similar products for [Headers & Wire Housings](#) category:*

*Click to view products by [HOOYA](#) manufacturer:*

Other Similar products are found below :

[57102-F02-18ULF](#) [58102-G61-06LF](#) [0009485154](#) [009176003701906](#) [0050291907](#) [00-9021-0611-00-339](#) [02.125.8002.8](#) [609-3404](#) [61062-3](#)  
[622-0430](#) [622-3653LF](#) [63453-116](#) [636-1030](#) [636-1427](#) [636-3427](#) [636-4007](#) [641938-9](#) [644827-2](#) [65495-038](#) [65692-001LF](#) [65781-018](#)  
[65781-047](#) [65817-010LF](#) [65817-015LF](#) [66207-023LF](#) [67016-026LF](#) [67095-007LF](#) [68631-112](#) [68645-018](#) [68648-049](#) [699319-000](#)  
[70.362.1628.0](#) [70-4210](#) [70-4226B](#) [70-4853B](#) [707-5020](#) [707-5028](#) [71.350.2428.0](#) [71961-016LF](#) [733-134](#) [754199-000](#) [760-3052](#) [787-8014-00](#)  
[FCN-367T-T012/H](#) [80.063.4001.1](#) [800-90-001-10-001000](#) [800-90-010-10-002000](#) [801-43-002-10-013000](#) [801-43-006-10-002000](#)  
[803-41-018-10-001000](#)