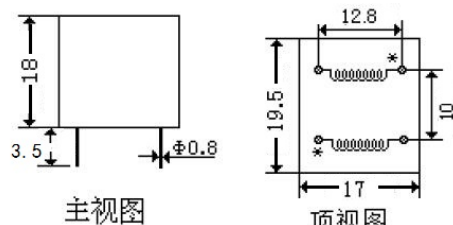
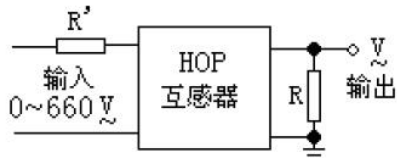


规格书

Product Specification

Description 产品类型		Potential Transformer 电压互感器	
Rated current ratio 额定电流比		2mA/2mA	
TYPE 型号		HPT205HA	
Electrical Specifications 电气规范		Mechanical Dimensions in mm	
Rated Primary Current(A) 初级电流 (A)	0~2mA	 <p>主视图 顶视图</p>	
Secondary Current(mA) 次级电流 (mA)	0~2mA		
Maximum current I _{max} (A) 最大一次电流	10mA	<p>Same polarity: *--*</p> <p>Pin length:</p>	
Rate transformation ratio 额定电流比	1:1		
Power-frequency withstand voltage 工频耐受耐压	4000 Vrms	<p>Direction for use:</p> 	
Current error 比差值	0.05%		
Linear phase-shift error 相位差变化	≤6' (额定5%~120%, 0欧) ≤8' (额定5%~120%, 100欧)		
Rated frequency 额定频率	50/60Hz		
Rated short-time thermal current 短时热电流	≤100 (≤60s)		
Rated resistive burden 额定负载电阻 (Ω)	≤100Ω		
Insulation resistance: 绝缘电阻 (MΩ)	>500MΩ		
Mechanical Specifications 机械规范			
Encapsulant 灌封	epoxy resin		
Terminals 管脚	Out: Input:		
Approx.Weight 重量	About 13g		
Tolerance 公差 (mm)	±0.5		
Storage temperature 贮存温度	-50℃<T<+100℃,		

Working temperature 工作温度	-40℃<T<+90℃	
Working humidity 湿度	0-95% (no condensation)	
Enclosure flame retardant grade	UL94 V-0	

Acceptance specification

Item	Test condition (测试条件)	Performance (判定标准)	Test Result
可焊性 Pin Welding property	将管脚针侵入 250℃锡中，时间 1.5~2 秒，上锡面积大于 90% The pin needle in 250℃ for 1.5~3 seconds on the tin pot, tin area reached 90%.	试件 90%的焊锡面积能正常上锡，外观无异常现象。 More than 95% surface of the PIN should be covered with solder. Any visual defects harmful to the characteristics shall not be allowed.	PASS
高低温实验 High / Low Temperature Life Test	高温温度为：100℃,低温温度为：-45℃放置时间都分别为：72hrs。测试结束后至室温放置>4H 方可测试电气特性 High temperature: 100±5℃ Low temperature: -45℃ Kept stabilized in chambers for 72 hrs each. then kept in the normal environment for more than 4 hours also, after that do the electrical characteristics measurement.	外观无损伤，电感值变异不超过 20%;直流电阻值变异不超过 20%。零件外观无任何裂纹或损伤，电气性能无短路或断线。 Cracking, chipping or any other defects harmful to the characteristics shall not be allowed. Short or Open defect can't be happened. Inductance&Resistances: within 20% of the initial value	PASS

Beijing HOP Technology Co., Ltd.

X-ON Electronics

Largest Supplier of Electrical and Electronic Components

Click to view similar products for [Current Transformers](#) category:

Click to view products by [Hop Tech](#) manufacturer:

Other Similar products are found below :

[MP3500](#) [BV UI 302 0156](#) [45029](#) [BV EI 302 2863](#) [BV EI 303 2809](#) [BV EI 303 3060](#) [BV EI 305 2309](#) [BV EI 306 3604](#) [BV EI 481 1295](#) [BV EI 481 1325](#) [BV UI 301 0133](#) [BV UI 302 0144](#) [BV UI 302 0161](#) [BV UI 304 0019](#) [BV UI 304 0129](#) [BV UI 304 0159](#) [BV UI 304 0173](#) [TI-EF16-2X4V-4W](#) [SPCT62/40150/5AVA3CL1](#) [SPCT62/30100/5AVA1CL1](#) [SPCT62/3075/5AVA1CL3](#) [SPCT62/40150/5AVA1.5CL1](#) [SPCT62/40200/5AVA2.5CL0.5](#) [SPCT62/40300/5AVA3CL0.5](#) [CTD-KIT](#) [44013](#) [44017](#) [44021](#) [44098](#) [44101](#) [44134](#) [44171](#) [44174](#) [44178](#) [44180](#) [44248](#) [44250](#) [44278](#) [44339](#) [44340](#) [44373](#) [44375](#) [44376](#) [44378](#) [44379](#) [44436](#) [44831](#) [B82801B0925A200](#) [PA3655NL](#) [PA3828NL](#)