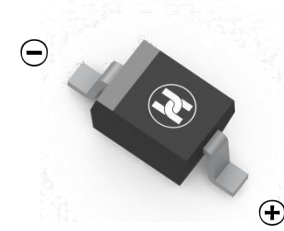
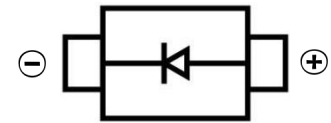


**SCHOTTKY BARRIER DIODE**
**FEATURES**

- High breakdown voltage
- Low turn-on voltage
- Guard ring construction for transient protection
- Surface Mount device


**SOD-323**
**MECHANICAL DATA**

- Case: SOD-323
- Case Material: Molded Plastic. UL flammability
- Classification Rating: 94V-0
- Weight: 0.005 grams (approximate)


**MAXIMUM RATINGS (T<sub>A</sub> = 25°C unless otherwise noted)**

Parameter	Symbol	Limit	Unit
Peak repetitive peak reverse voltage	V <sub>RRM</sub>	100	V
Working peak reverse voltage	V <sub>RWM</sub>		
Forward continuous current	I <sub>F</sub>	150	mA
Repetitive peak forward current (Note 1) @ tp < 1.0s, Duty Cycle < 50%	I <sub>FRM</sub>	350	mA
Non-repetitive Peak Forward surge current @ t = 8.3ms	I <sub>FSM</sub>	750	mA
Power dissipation	P <sub>D</sub>	200	mW
Thermal resistance junction to ambient air	R <sub>θJA</sub>	500	°C/W
Junction temperature	T <sub>j</sub>	125	°C
Storage temperature	T <sub>STG</sub>	-40~+150	°C

**ELECTRICAL CHARACTERISTICS (T<sub>A</sub> = 25°C unless otherwise specified)**

Parameter	Symbol	Test Conditions	Min	Typ	Max	Unit
Reverse breakdown voltage(Note 2)	V <sub>R</sub>	I <sub>R</sub> = 100μA	100			V
Reverse voltage leakage current	I <sub>R</sub>	V <sub>R1</sub> =1.5V			0.3	μA
		V <sub>R2</sub> =10V			0.8	
		V <sub>R3</sub> =50V			2	
		V <sub>R4</sub> =75V			5	
Forward voltage(Note 2)	V <sub>F</sub>	I <sub>F1</sub> =0.1mA			0.25	V
		I <sub>F2</sub> =10mA			0.45	
		I <sub>F3</sub> =250mA			1	
Diode capacitance	C <sub>T</sub>	V <sub>R</sub> =0, f=1MHz		20		pF
		V <sub>R</sub> =1V, f=1MHz		10		

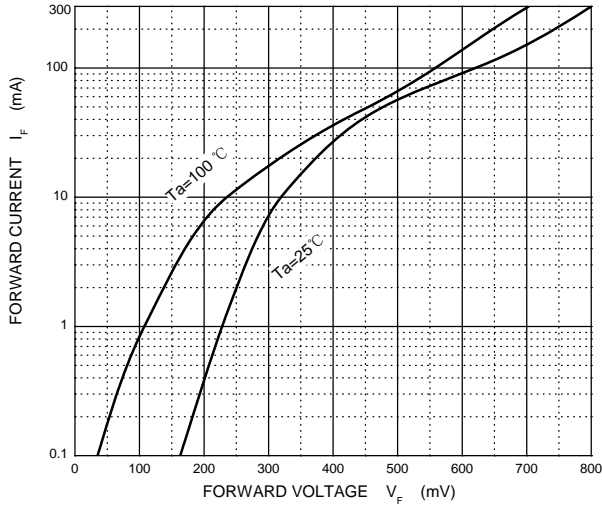
Notes: 1. Part mounted on FR-4 board with recommended pad layout.

2. Short duration pulse test used to minimize self-heating effect.

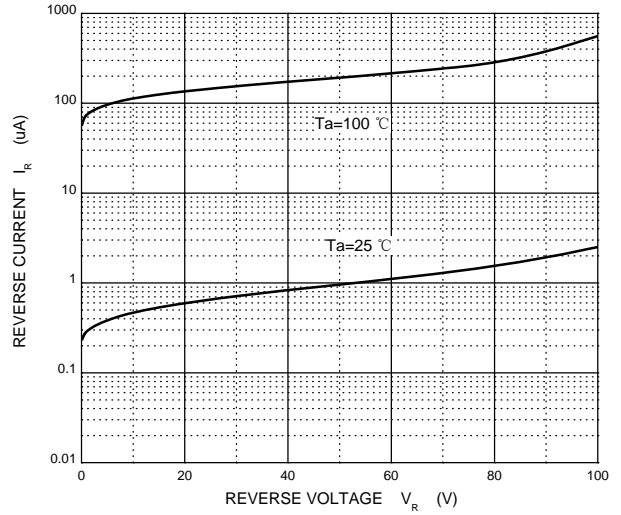
SCHOTTKY BARRIER DIODE

Typical Characteristics

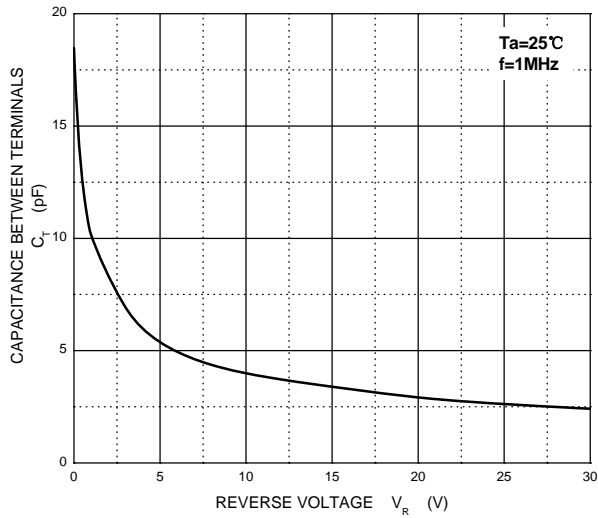
Forward Characteristics



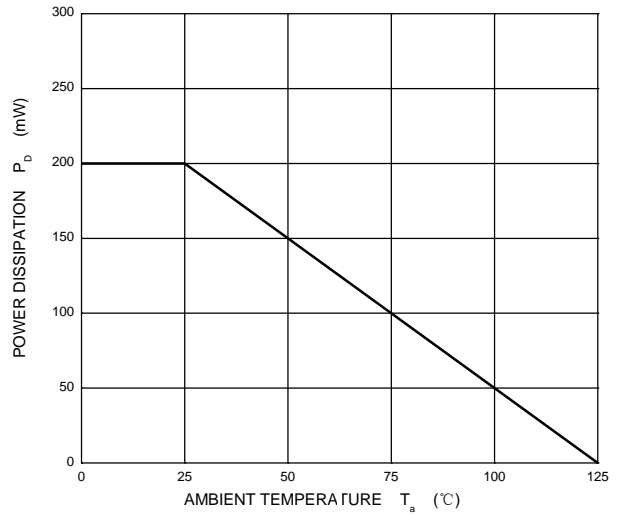
Reverse Characteristics

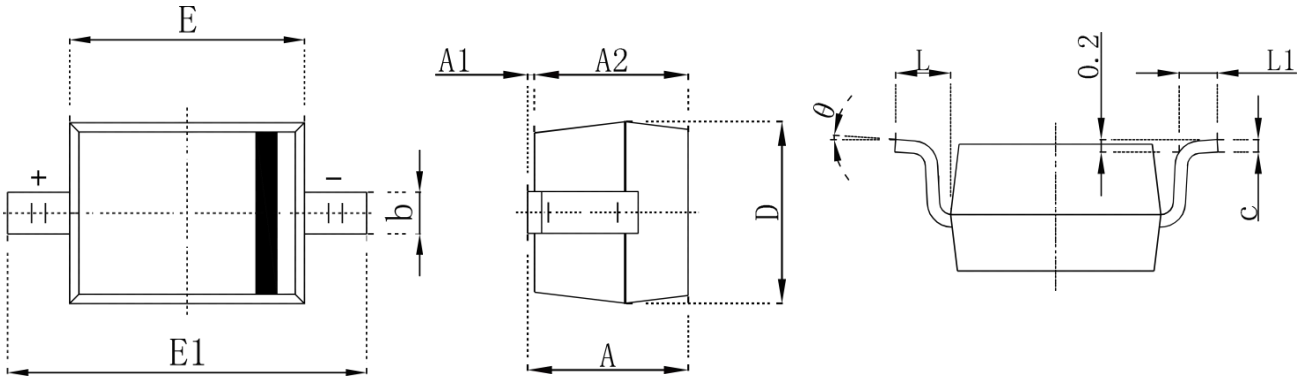


Capacitance Characteristics

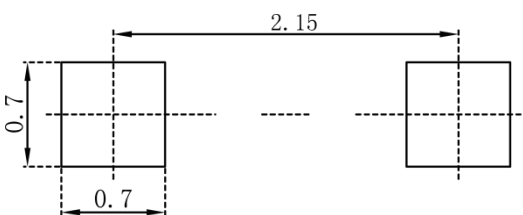


Power Derating Curve

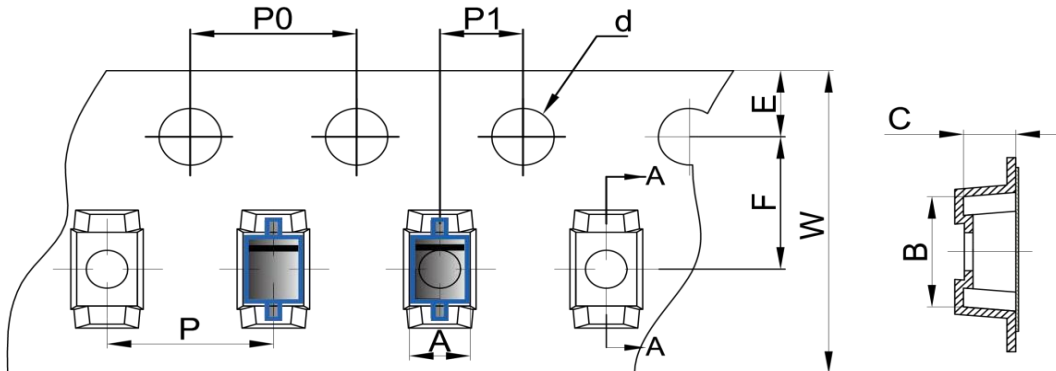


**SCHOTTKY BARRIER DIODE**
**SOD-323 Package Outline Dimensions**


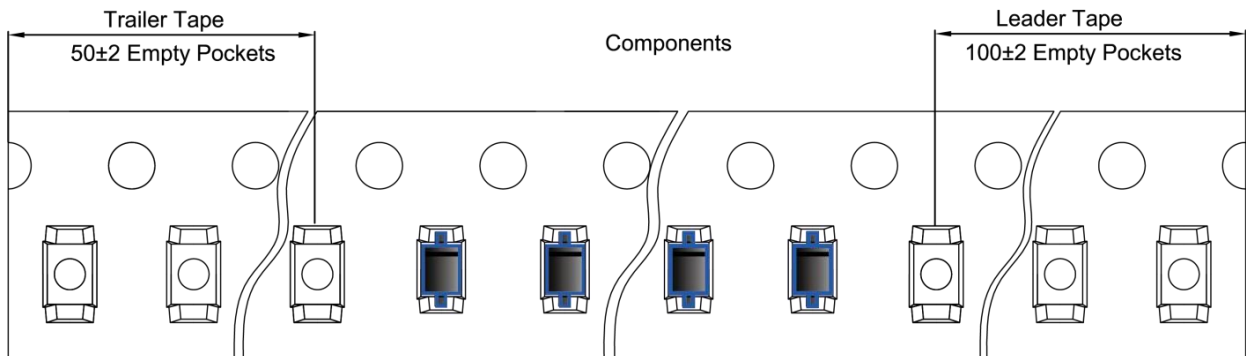
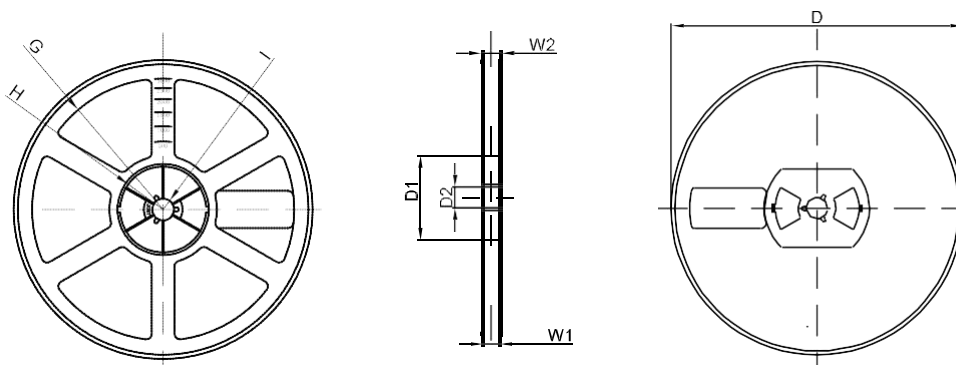
Symbol	Dimensions In Millimeters		Dimensions In Inches	
	Min.	Max.	Min.	Max.
A		1.000		0.039
A1	0.000	0.100	0.000	0.004
A2	0.800	0.900	0.031	0.035
b	0.250	0.350	0.010	0.014
c	0.080	0.150	0.003	0.006
D	1.200	1.400	0.047	0.055
E	1.600	1.800	0.063	0.071
E1	2.250	2.750	0.100	0.108
L	0.475 REF		0.019 REF	
L1	0.250	0.400	0.010	0.016
θ	0°	8°	0°	8°

**SOD-323 Suggested Pad Layout**

**Note:**

1. Controlling dimension: in millimeters
2. General tolerance:  $\pm 0.05\text{mm}$
3. The pad layout is for reference purposes only

**SCHOTTKY BARRIER DIODE**
**SOD-323 Tape and Reel**
**SOD-323 Embossed Carrier Tape**


DIMENSIONS ARE IN MILLIMETER										
TYPE	A	B	C	d	E	F	P0	P	P1	W
SOD-323	1.48	3.3	1.25	Ø1.50	1.75	3.50	4.00	4.00	2.00	8
TOLERANCE	±0.1	±0.1	±0.1	±0.1	±0.1	±0.1	±0.1	±0.1	±0.1	±0.1

**SOD-323 Tape Leader and Trailer**

**SOD-323 Reel**


DIMENSIONS ARE IN MILLIMETER								
REEL OPTION	D	D1	D2	G	H	I	W1	W2
7" DIA	Ø178	54.40	13.00	R78	R25.60	R6.50	9.50	12.30
TOLERANCE	±2	±1	±1	±1	±1	±1	±1	±1

## X-ON Electronics

Largest Supplier of Electrical and Electronic Components

*Click to view similar products for [Schottky Diodes & Rectifiers](#) category:*

*Click to view products by [Hottech](#) manufacturer:*

Other Similar products are found below :

[MA4E2039](#) [MA4E2508M-1112](#) [MBR1545CT](#) [MMBD301M3T5G](#) [RB160M-50TR](#) [D83C](#) [BAS16E6433HTMA1](#) [BAT 54-02LRH E6327](#)  
[NRVBAF360T3G](#) [NSR05F40QNXT5G](#) [NTE555](#) [JANS1N6640](#) [SK310-T](#) [SK34B-TP](#) [SS3003CH-TL-E](#) [GA01SHT18](#)  
[CRS10I30A\(TE85L,QM](#) [MA4E2501L-1290](#) [MBRA140TRPBF](#) [MBRB30H30CT-1G](#) [BAT 15-04R E6152](#) [JANTX1N5712-1](#) [DMJ3940-000](#)  
[SB007-03C-TB-E](#) [SK33B-TP](#) [NRVBB20100CTT4G](#) [NRVBM120LT1G](#) [NTSB30U100CT-1G](#) [VS-6CWQ10FNHM3](#) [CRG04\(T5L,TEMQ\)](#)  
[ACDBA1100LR-HF](#) [ACDBA1200-HF](#) [ACDBA240-HF](#) [ACDBA3100-HF](#) [CDBQC0530L-HF](#) [CDBQC0240LR-HF](#) [ACDBA260LR-HF](#)  
[ACDBA1100-HF](#) [MA4E2502L-1246](#) [10BQ015-M3/5BT](#) [NRVBM120ET1G](#) [CRS08TE85LQM](#) [PMAD1108-LF](#) [B120Q-13-F](#) [1N5819T-G](#)  
[B0530WSQ-7-F](#) [PDS1040Q-13](#) [B160BQ-13-F](#) [SDM05U20CSP-7](#) [B140S1F-7](#)