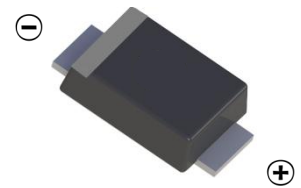
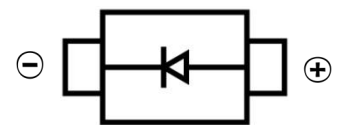


SCHOTTKY BARRIER DIODE
FEATURES

- Small Surface Mount device
- Low power loss, high efficiency
- High forward surge current capability
- For use in low voltage, high frequency inverters, free wheeling, and polarity protection applications


SMAF
MECHANICAL DATA

- Case: SMAF
- Case Material: Molded Plastic. UL flammability
- Classification Rating: 94V-0
- Weight: 0.027 grams (approximate)


MAXIMUM RATINGS (T_A = 25°C unless otherwise noted)

Parameter	Symbol	SS22F	SS24F	SS26F	SS28F	SS210F	SS212F	SS215F	SS220F	Unit
Repetitive peak reverse voltage	V _{RRM}	20	40	60	80	100	120	150	200	V
DC Reverse Voltage	V _R	20	40	60	80	100	120	150	200	V
RMS Reverse Voltage	V _{RMS}	14	28	42	56	70	84	105	140	V
Non-Repetitive Peak Forward Surge Current @ t = 8.3 ms	I _{FSM}	50				40				A
Mean rectifying current	I _F	2.0								A
Thermal Resistance From Junction To Ambient	R _{θJA}	85								°C/W
Junction Temperature	T _J	125								°C
Storage Temperature	T _{STG}	-55 ~+150								°C

ELECTRICAL CHARACTERISTICS (T_A = 25°C unless otherwise specified)

Parameter	Symbol	SS22F	SS24F	SS26F	SS28F	SS210F	SS212F	SS215F	SS220F	Unit	Conditions
Forward voltage	V _F	0.55	0.70		0.85		0.95			V	I _F =2A
Reverse current T=25°C	I _R	0.5			0.3					mA	V=V _R
Reverse current T=100°C	I _R	10			5					mA	
Junction capacitance	C _J	220		80						pF	V _R =4V, f=1MH

SCHOTTKY BARRIER DIODE

Typical Characteristics

Fig.1 Forward Current Derating Curve

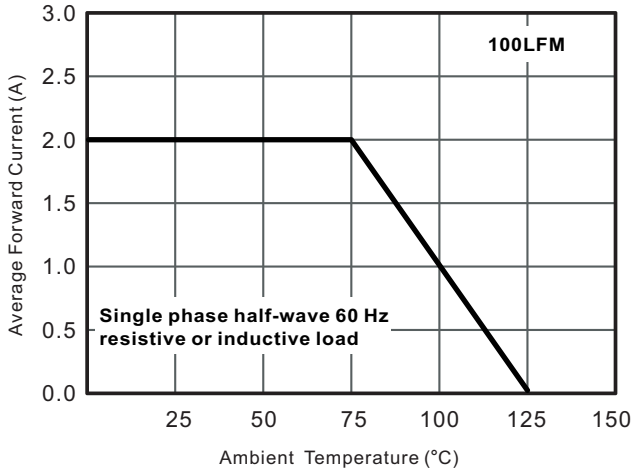


Fig.2 Typical Reverse Characteristics

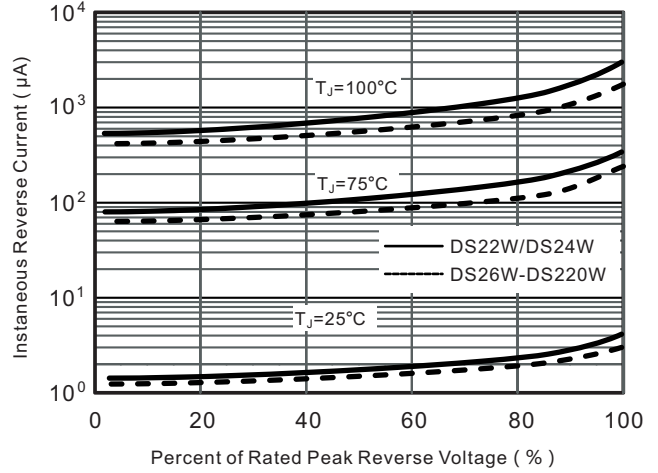


Fig.3 Typical Forward Characteristic

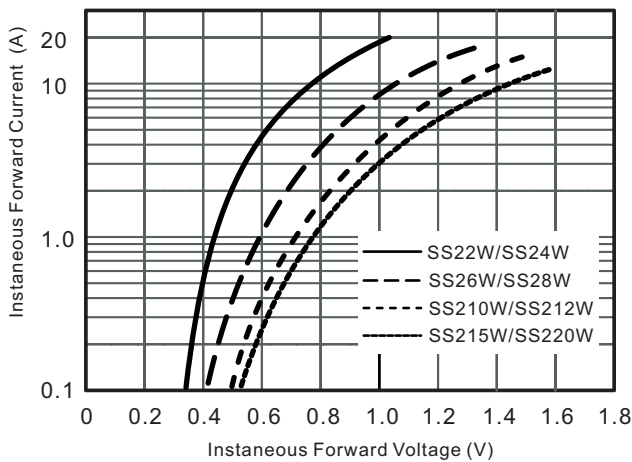


Fig.4 Typical Junction Capacitance

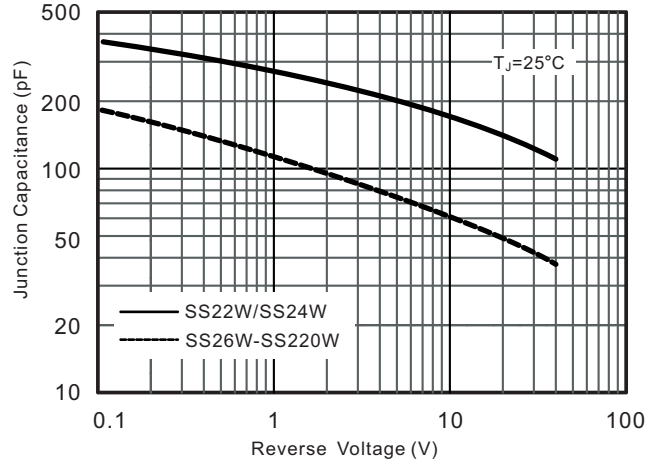
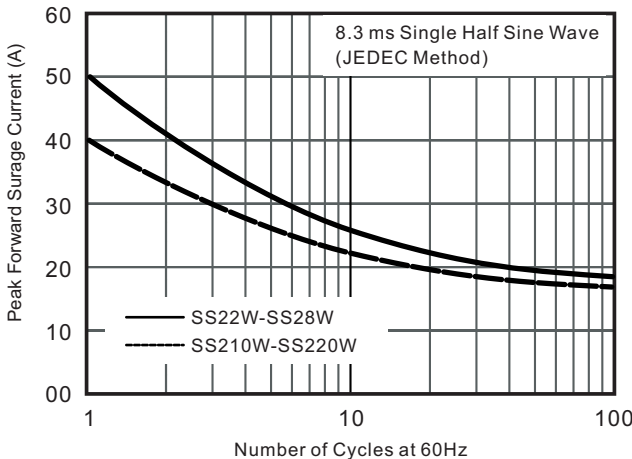
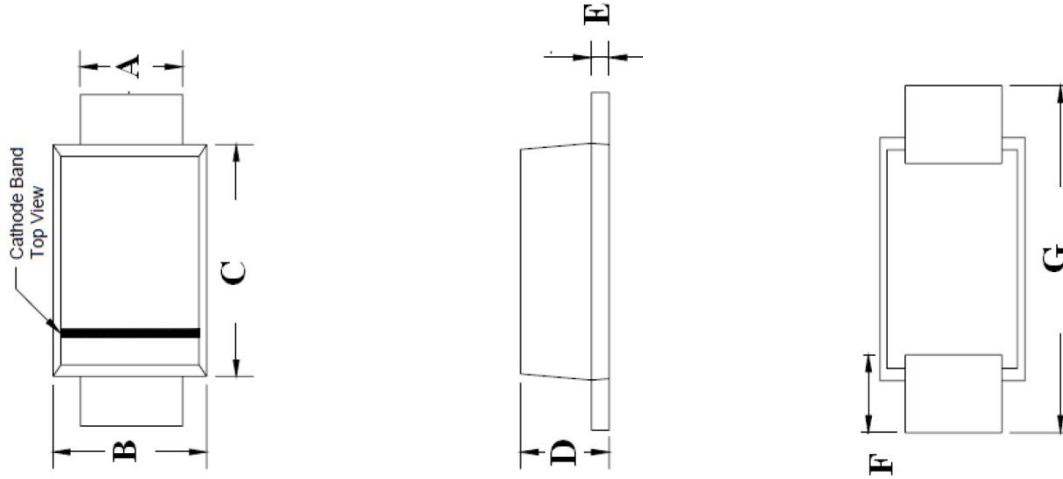


Fig.5 Maximum Non-Repetitive Peak Forward Surge Current



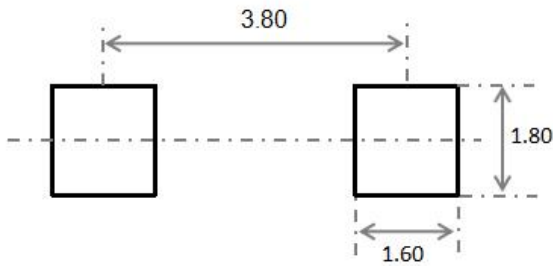
SCHOTTKY BARRIER DIODE

SMAF Package Outline Dimensions



Symbol	Dimensions In Millimeters		Dimensions In Inches	
	Min.	Max.	Min.	Max.
A	1.30	1.60	0.051	0.063
B	2.40	2.80	0.094	0.110
C	3.25	3.65	0.128	0.144
D	1.10	1.40	0.043	0.055
E	0.15	0.25	0.006	0.010
F	0.70	1.20	0.028	0.047
G	4.40	4.90	0.173	0.193

SMAF Suggested Pad Layout



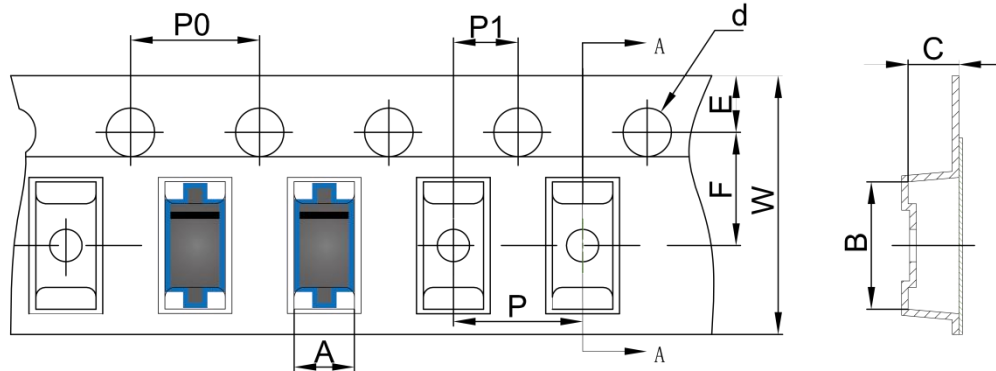
Note:

1. Controlling dimension: in millimeters
2. General tolerance: $\pm 0.05\text{mm}$
3. The pad layout is for reference purposes only

SCHOTTKY BARRIER DIODE

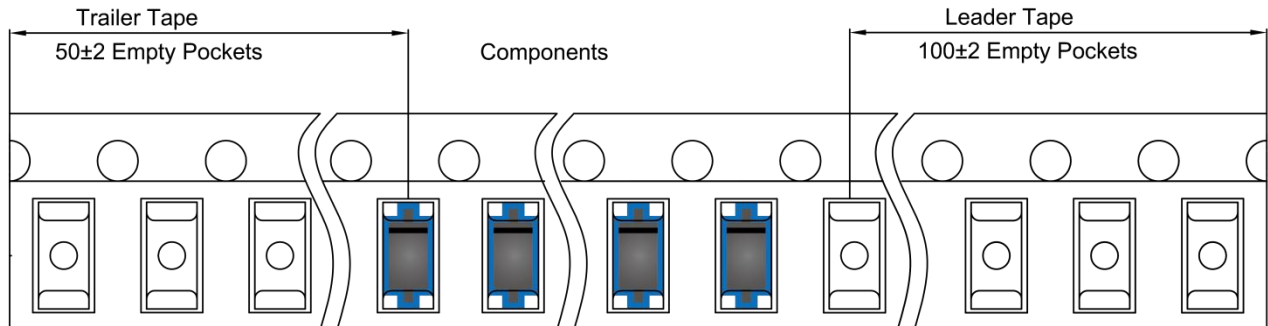
SMAF Tape and Reel

SMAF Embossed Carrier Tape

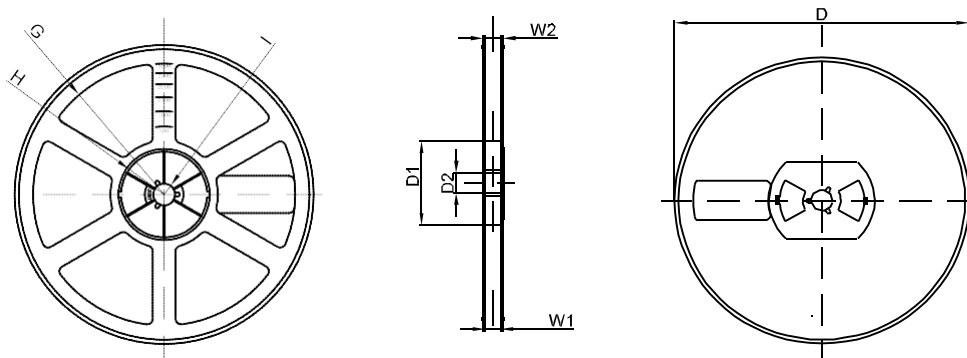


DIMENSIONS ARE IN MILLIMETER										
TYPE	A	B	C	d	E	F	P0	P	P1	W
SMAF	2.79	5.35	1.48	Ø1.50	1.75	5.50	4.00	4.00	2.00	12.00
TOLERANCE	±0.1	±0.1	±0.1	±0.1	±0.1	±0.1	±0.1	±0.1	±0.1	±0.1

SMAF Tape Leader and Trailer



SMAF Reel



DIMENSIONS ARE IN MILLIMETER								
REEL OPTION	D	D1	D2	G	H	I	W1	W2
7" DIA	Ø178	54.40	13.00	R78	R25.60	R6.50	12.40	17.60
TOLERANCE	±2	±1	±1	±1	±1	±1	±1	±1

X-ON Electronics

Largest Supplier of Electrical and Electronic Components

Click to view similar products for [Schottky Diodes & Rectifiers](#) category:

Click to view products by [Hottech](#) manufacturer:

Other Similar products are found below :

[MA4E2039](#) [MA4E2508M-1112](#) [MBR10100CT-BP](#) [MBR1545CT](#) [MMBD301M3T5G](#) [GS1JE-TP](#) [RB160M-50TR](#) [BAS16E6433HTMA1](#)
[BAS 3010S-02LRH E6327](#) [BAT 54-02LRH E6327](#) [NSR05F40QNXT5G](#) [NSVR05F40NXT5G](#) [NTE555](#) [JANS1N6640](#) [SB07-03C-TB-H](#)
[SK310-T](#) [SK33A-TP](#) [SK34B-TP](#) [SS3003CH-TL-E](#) [PDS3100Q-7](#) [GA01SHT18](#) [CRS10I30A\(TE85L,QM](#) [MA4E2501L-1290](#)
[MBRB30H30CT-1G](#) [DMJ3940-000](#) [SB007-03C-TB-E](#) [SK32A-TP](#) [SK33B-TP](#) [SK35A-TP](#) [SK38B-LTP](#) [SK38B-TP](#) [NRVBM120LT1G](#)
[NTE505](#) [NTSB30U100CT-1G](#) [VS-6CWQ10FNHM3](#) [CRG04\(T5L,TEMQ\)](#) [ACDBA1100LR-HF](#) [ACDBA1200-HF](#) [ACDBA2100-HF](#)
[ACDBA240-HF](#) [ACDBA3100-HF](#) [CDBQC0530L-HF](#) [ACDBA260LR-HF](#) [ACDBA1100-HF](#) [MA4E2502L-1246](#) [10BQ060-M3/5BT](#)
[NRVB130LSFT1G](#) [CRS08TE85LQM](#) [PMAD1108-LF](#) [B120Q-13-F](#)