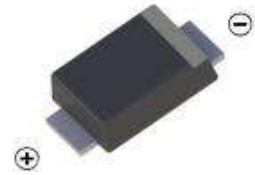
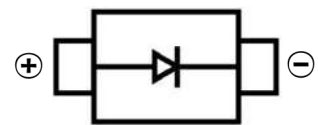


**SCHOTTKY BARRIER DIODE**
**FEATURES**

- Small Surface Mount device
- Low power loss, high efficiency
- High temperature soldering guaranteed:260°C/10 seconds at terminals
- Guard ring for over voltage protection
- For use in low voltage high frequency inverters, free wheeling, and polarity protection applications


**SOD-123FL**
**MECHANICAL DATA**

- Case: SOD-123FL
- Case Material: Molded Plastic. UL flammability
- Classification Rating: 94V-0
- Weight: 0.0155 grams (approximate)


**MAXIMUM RATINGS (T<sub>A</sub> = 25°C unless otherwise noted)**

Parameter	Symbol	SS32L	SS33L	SS34L	SS36L	SS38L	SS310L	SS315L	SS320L	Unit
Repetitive peak reverse voltage	V <sub>RRM</sub>	20	30	40	60	80	100	150	200	V
DC Reverse Voltage	V <sub>R</sub>	20	30	40	60	80	100	150	200	V
RMS Reverse Voltage	V <sub>RMS</sub>	14	21	28	42	56	70	105	140	V
Non-Repetitive Peak Forward Surge Current @ t = 8.3 ms	I <sub>FSM</sub>	70								A
Mean rectifying current	I <sub>F</sub>	3.0								A
Thermal Resistance	R <sub>θJA</sub>	70								°C/W
Junction Temperature	T <sub>J</sub>	150								°C
Storage Temperature	T <sub>STG</sub>	-55 ~+175								°C

**ELECTRICAL CHARACTERISTICS (T<sub>A</sub> = 25°C unless otherwise specified)**

Parameter	Symbol	SS32L	SS33L	SS34L	SS36L	SS38L	SS310L	SS315L	SS320L	Unit	Conditions	
Forward voltage	V <sub>F</sub>	0.55		0.7	0.85		0.95			V	I <sub>F</sub> =3A	
Reverse current T=25°C	I <sub>R</sub>	0.5									mA	V=V <sub>R</sub>
Reverse current T=100°C	I <sub>R</sub>	20									mA	
Junction capacitance	C <sub>J</sub>	160									pF	V=4V,f=1MHz

SCHOTTKY BARRIER DIODE

Typical Characteristics

FIG.1: FORWARD CURRENT DERATING CURVE

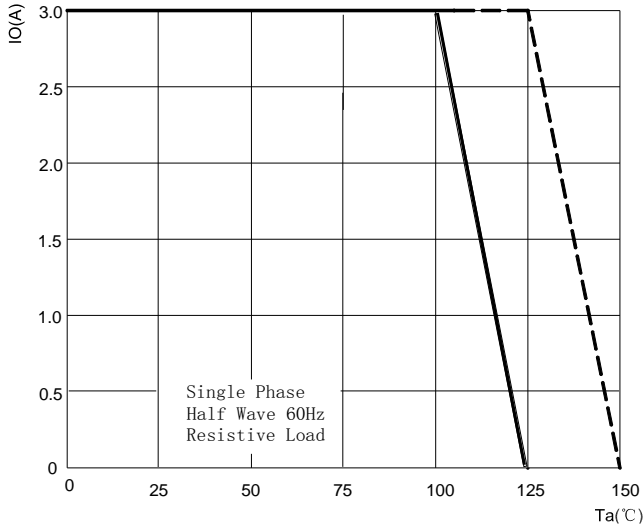


FIG.2: MAXIMUM NON-REPETITIVE FORWARD URGE CURRENT

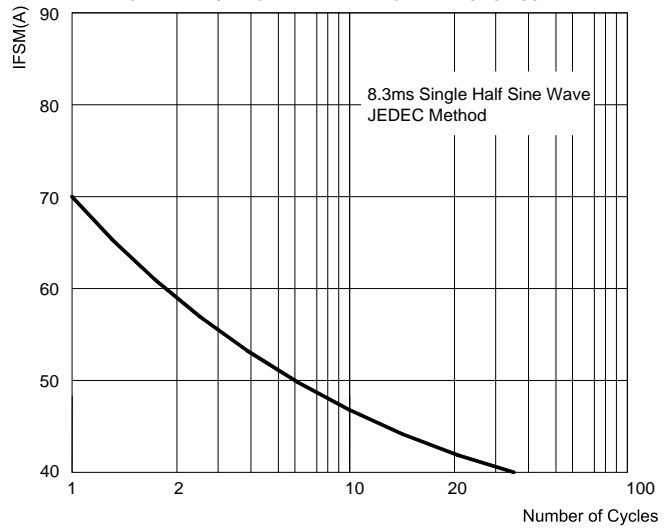


FIG.3: TYPICAL FORWARD CHARACTERISTICS

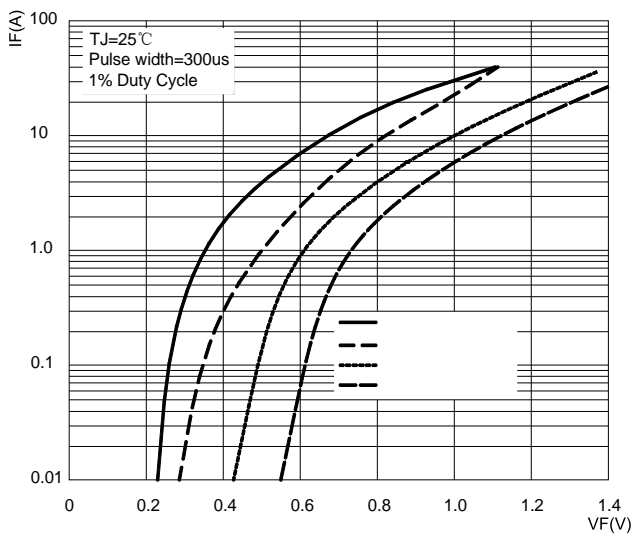
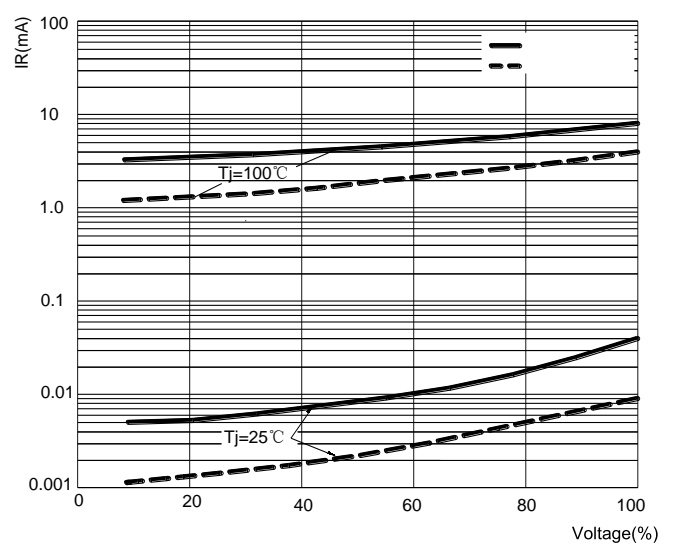
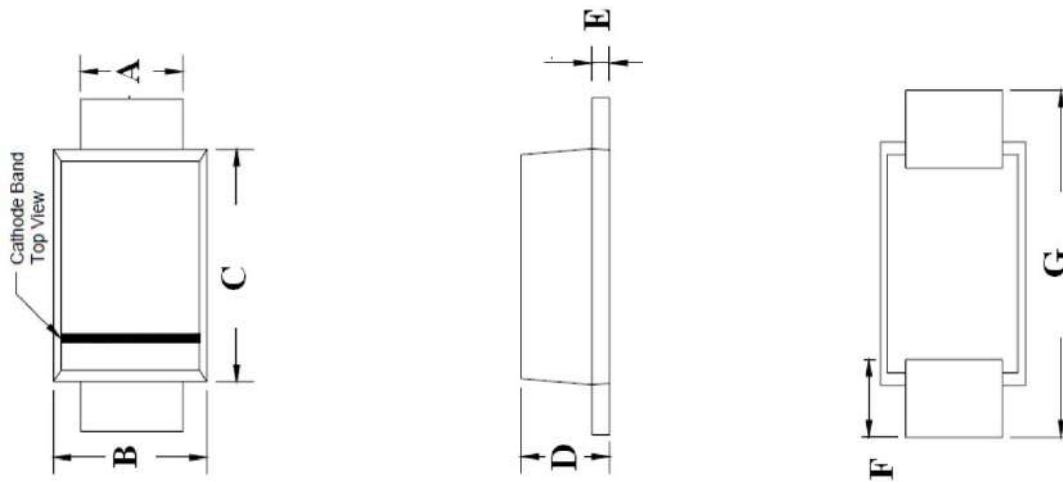


FIG.4: TYPICAL REVERSE CHARACTERISTICS



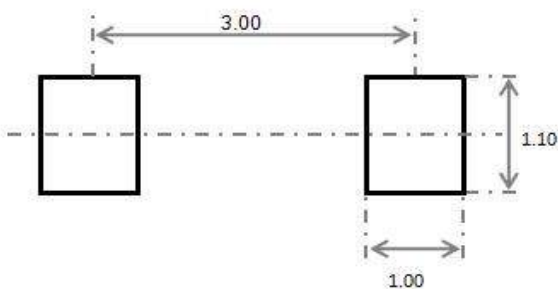
SCHOTTKY BARRIER DIODE

**SOD-123FL Package Outline Dimensions**



Symbol	Dimensions In Millimeters		Dimensions In Inches	
	Min.	Max.	Min.	Max.
A	0.75	0.95	0.029	0.037
B	1.60	2.00	0.063	0.079
C	2.60	3.00	0.103	0.119
D	0.90	1.20	0.036	0.047
E	0.12	0.22	0.005	0.009
F	0.8Typ		0.032Typ	
G	3.50	3.90	0.138	0.159

**SOD-123FL Suggested Pad Layout**



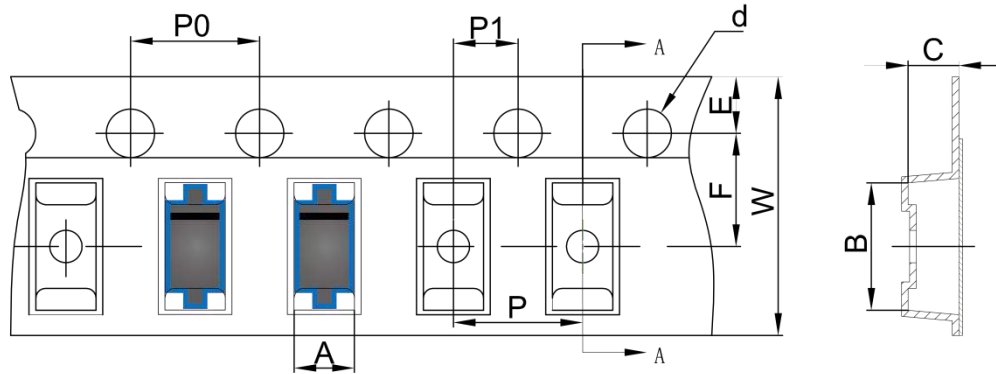
**Note:**

1. Controlling dimension: in millimeters
2. General tolerance:  $\pm 0.05\text{mm}$
3. The pad layout is for reference purposes only

SCHOTTKY BARRIER DIODE

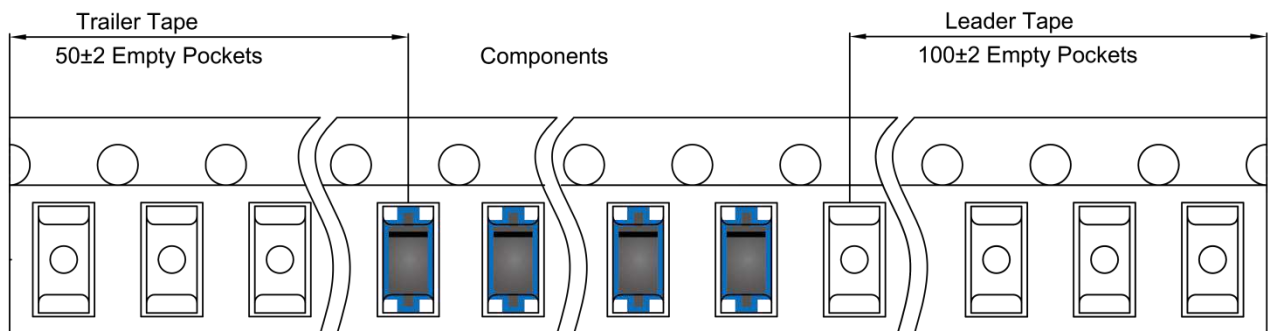
## SOD-123FL Tape and Reel

### SOD-123FL Embossed Carrier Tape

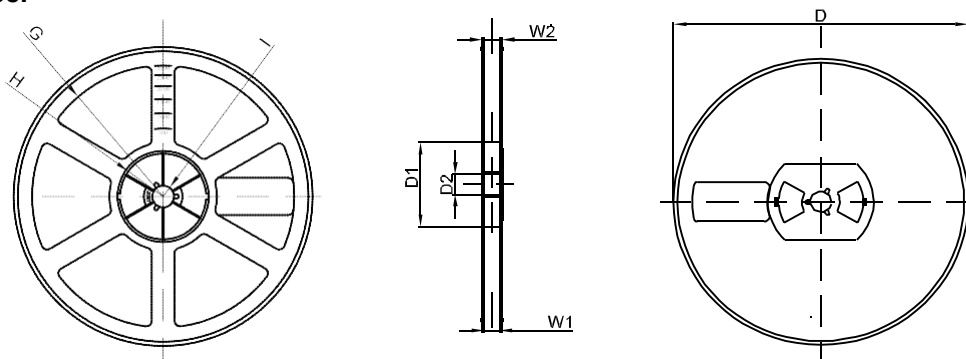


DIMENSIONS ARE IN MILLIMETER										
TYPE	A	B	C	d	E	F	P0	P	P1	W
SOD-123FL	2.10	4.00	1.25	Ø1.50	1.75	3.50	4.00	4.00	2.00	8.00
TOLERANCE	±0.1	±0.1	±0.1	±0.1	±0.1	±0.1	±0.1	±0.1	±0.1	±0.1

### SOD-123FL Tape Leader and Trailer



### SOD-123FL Reel



DIMENSIONS ARE IN MILLIMETER								
REEL OPTION	D	D1	D2	G	H	I	W1	W2
7" DIA	Ø178	54.40	13.00	R78	R25.60	R6.50	9.50	12.30
TOLERANCE	±2	±1	±1	±1	±1	±1	±1	±1

## X-ON Electronics

Largest Supplier of Electrical and Electronic Components

*Click to view similar products for [Schottky Diodes & Rectifiers](#) category:*

*Click to view products by [Hottech](#) manufacturer:*

Other Similar products are found below :

[MA4E2039](#) [MA4E2508M-1112](#) [MBR0530L-TP](#) [MBR10100CT-BP](#) [MBR1545CT](#) [MMBD301M3T5G](#) [RB160M-50TR](#)  
[BAS16E6433HTMA1](#) [BAS 3010S-02LRH E6327](#) [BAT 54-02LRH E6327](#) [IDL02G65C5XUMA1](#) [NSR05F40QNXT5G](#) [NSVR05F40NXT5G](#)  
[NTE555](#) [JANS1N6640](#) [SB07-03C-TB-H](#) [SB1003M3-TL-W](#) [SBM30-03-TR-E](#) [SBS818-TL-E](#) [SK310-T](#) [SK33A-TP](#) [SK34B-TP](#) [SS3003CH-](#)  
[TL-E](#) [PDS3100Q-7](#) [GA01SHT18](#) [CRS10I30A\(TE85L,QM](#) [MA4E2501L-1290](#) [MBRA140TRPBF](#) [MBRB30H30CT-1G](#) [JANTX1N5712-1](#)  
[SB007-03C-TB-E](#) [SK33B-TP](#) [SK35A-TP](#) [SK38B-LTP](#) [NTE505](#) [NTSB30U100CT-1G](#) [VS-6CWQ10FNHM3](#) [CRG04\(T5L,TEMQ\)](#)  
[ACDBA1100LR-HF](#) [ACDBA1200-HF](#) [ACDBA240-HF](#) [ACDBA3100-HF](#) [CDBQC0530L-HF](#) [ACDBA260LR-HF](#) [ACDBA1100-HF](#)  
[MA4E2502L-1246](#) [10BQ015-M3/5BT](#) [10BQ060-M3/5BT](#) [NRVB130LSFT1G](#) [CRS08TE85LQM](#)