

ADJUSTABLE ACCURATE REFERENCE SOURCE

FEATURES

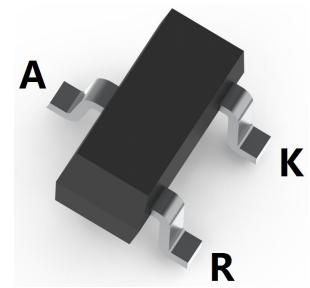
- Temperature-Compensated:50ppm/°C
- Internal amplifier with 50mA capability
- Nominal temperature range extended to 105°C
- Low frequency dynamic output impedance:<150Ω
- Low output noise voltage
- Fast on-state response
- Surface Mount device

APPLICATION

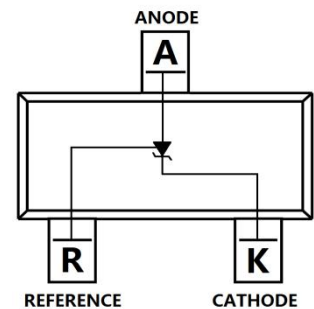
- Shunt Regulator
- High-Current Shunt Regulator
- Precision Current Limiter

MECHANICAL DATA

- Case: SOT-23
- Case Material: Molded Plastic. UL flammability
- Classification Rating: 94V-0
- Weight: 0.008 grams (approximate)



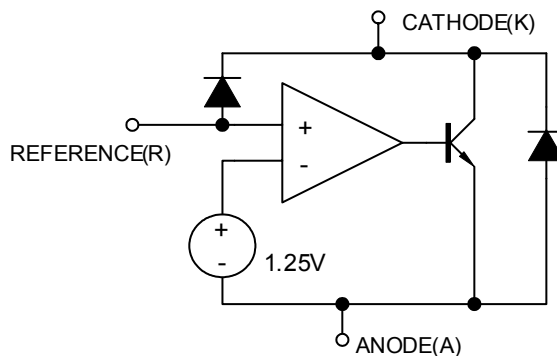
SOT-23



DESCRIPTION

The TL432 is a three-terminal adjustable shunt regulator highly accurate 1.25V bandgap reference with 1%, 2% tolerance. The device offers thermal stability, wide operating current (50mA) and an extended temperature range of 0° to 105°C for operation in power supply applications. The TL432 offers a wide operating voltage range of up to 12V and is an excellent choice for voltage reference requirements in an isolated feedback circuit for 3.0V ~3.3V switching mode power supplies. The tight tolerance guarantees a lower design cost for the power supply manufacturer by virtually eliminating the need for an extra power supply manufacturing process of the power supply.

BLOCK DIAGRAM



ADJUSTABLE ACCURATE REFERENCE SOURCE
MAXIMUM RATINGS (Operating temperature range applies unless otherwise specified)

Parameter	Symbol	Value	Unit
Cathode Voltage	V_{KA}	15	V
Anode-Cathode Forward Current	I_{AK}	1	A
Operating Cathode Current	I_{KA}	50	mA
Reference Input Current Range	I_{ref}	1	mA
Thermal Resistance from Junction to Case	$R_{\theta JC}$	76	$^{\circ}C/W$
Thermal Resistance from Junction to Ambient	$R_{\theta JA}$	350	$^{\circ}C/W$
Operating Temperature	T_{opr}	0~+70	$^{\circ}C$
Junction Temperature	T_J	125	$^{\circ}C$
Storage Temperature Range	T_{STG}	-55 ~+150	$^{\circ}C$

RECOMMENDED OPERATING CONDITIONS

Parameter	Symbol	MIN	TYP	MAX	Unit
Cathode Voltage	V_{KA}	V_{REF}		15	V
Cathode Current	I_K	5	10		mA

ELECTRICAL CHARACTERISTICS ($T_A = 25^{\circ}C$ unless otherwise specified)

Parameter		Symbol	Min	Typ	Max	Unit	Conditions
Reference Input Voltage	1%	V_{REF}	1.237	1.250	1.263	V	$V_{KA}=V_{REF}, I_{KA}=10mA$
	2%		1.225	1.250	1.275		
Line Regulation		ΔV_{REF}		10	15	mV	$V_K=1.25\sim 15V$
Load Regulation		ΔV_{REF}		6	15	mV	$I_K=5\sim 50mA$
Temperature Deviation		ΔV_{REF}		2	6	mV	$0^{\circ}C \leq T_J \leq +105^{\circ}C$
Reference Input Current		I_{REF}		3	6	μA	
Reference Input Current Temperature Coefficient		ΔI_{REF}		0.3	0.6	μA	$0^{\circ}C \leq T_J \leq +105^{\circ}C$
Minimum Cathode Current for Regulation		$I_{K(MIN)}$		0.6	1	mA	
Off State Leakage		$I_{KA(OFF)}$			500	nA	$V_{REF}=0V, V_{KA}=15V$

CLASSIFICATION OF V_{ref}

Rank	1%	2%
Range	1.237~1.263	1.225~1.275

ADJUSTABLE ACCURATE REFERENCE SOURCE

SOT-23 Package Outline Dimensions



Symbol	Dimensions In Millimeters		Dimensions In Inches	
	Min.	Max.	Min.	Max.
A	0.900	1.150	0.035	0.045
A1	0.000	0.100	0.000	0.004
A2	0.900	1.050	0.035	0.041
b	0.300	0.500	0.012	0.020
c	0.080	0.150	0.003	0.006
D	2.800	3.000	0.110	0.118
E	1.200	1.400	0.047	0.055
E1	2.250	2.550	0.089	0.100
e	0.950 TYP		0.037 TYP	
e1	1.800	2.000	0.071	0.079
L	0.550 REF		0.022 REF	
L1	0.300	0.500	0.012	0.020
θ	0°	8°	0°	8°

SOT-23 Suggested Pad Layout



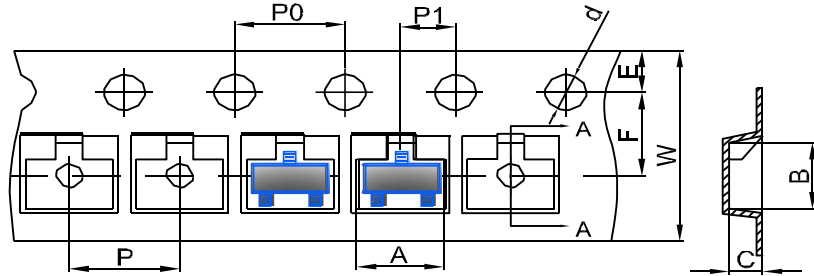
Note:

1. Controlling dimension: in millimeters
2. General tolerance: ±0.05mm
3. The pad layout is for reference purposes only

ADJUSTABLE ACCURATE REFERENCE SOURCE

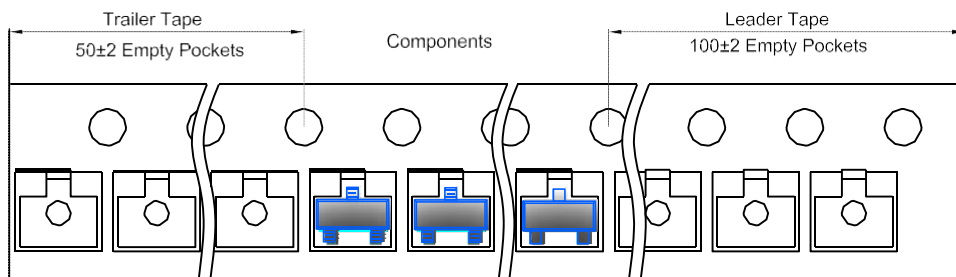
SOT-23 Tape and Reel

SOT-23 Embossed Carrier Tape

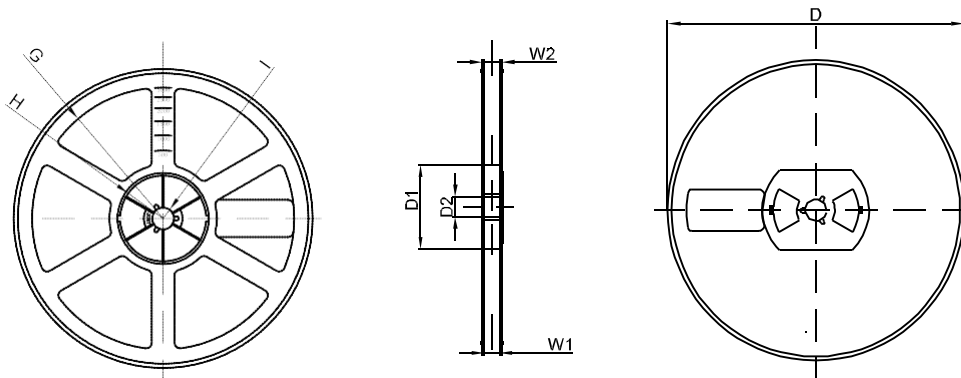


DIMENSIONS ARE IN MILLIMETER										
TYPE	A	B	C	d	E	F	P0	P	P1	W
SOT-23	3.15	2.77	1.22	Ø1.50	1.75	3.50	4.00	4.00	2.00	8.00
TOLERANCE	±0.1	±0.1	±0.1	±0.1	±0.1	±0.1	±0.1	±0.1	±0.1	±0.1

SOT-23 Tape Leader and Trailer



SOT-23 Reel



DIMENSIONS ARE IN MILLIMETER								
REEL OPTION	D	D1	D2	G	H	I	W1	W2
7" DIA	Ø178	54.40	13.00	R78	R25.60	R6.50	9.50	12.30
TOLERANCE	±2	±1	±1	±1	±1	±1	±1	±1

X-ON Electronics

Largest Supplier of Electrical and Electronic Components

Click to view similar products for [Voltage References](#) category:

Click to view products by [Hottech](#) manufacturer:

Other Similar products are found below :

[5962-8686103XC](#) [REF01J/883](#) [SC431ILPRAG](#) [AP432AQG-7](#) [LM4040B25QFTA](#) [EL5226IR](#) [EL5326IR](#) [EL5326IRZ](#) [ISL21007DFB825Z](#)
[ISL21009BFB812Z](#) [ISL21009CFB812Z](#) [ISL60002BIH312](#) [TS3320AMR](#) [TS3325AMR](#) [TS3330AMR](#) [TS3333AMR](#) [X60003CIG3-41](#)
[X60003DIG3Z-41T1](#) [X60250V8I](#) [REF3025TB-GT3](#) [SC432BVSNT1G](#) [TL431CPG](#) [LM336Z-5.0](#) [MMTL432](#) [TL431A](#) [LR432ATLT1G](#)
[TL432](#) [TL431A](#) [TL431NSG-AE2-R](#) [TL432](#) [TL431](#) [TL431](#) [CD431A](#) [TL432](#) [LM285M3-2.5/TR](#) [TL432AIM3/TR](#) [LM431AIM3/TR](#)
[MC1403MM/TR](#) [TL431CM3/TR](#) [HT432ARTZ](#) [TL431Z-AST](#) [LTL431APKLT1G](#) [JD431A](#) [431S](#) [TL432](#) [WD431NTR-BG](#) [CJ431](#) [CD431](#)
[TL431A 0.4%](#) [ADR4520ARZ-R7](#)