

**HPF SERIES**

**(5.08 mm) .200"**

# POWER SOCKETS

**SPECIFICATIONS**

For complete specifications and recommended PCB layouts see [www.samtec.com?HPF](http://www.samtec.com?HPF)

**Insulator Material:**

Black LCP

**Contact Material:**

BeCu

**Plating:**

Sn over

50 μ" (1.27 μm) Ni

**Operating Temp Range:**

-55 °C to +105 °C

**Voltage Rating:**

850 VAC/1200 VDC

**Insertion Depth:**

(3.68 mm) .145" to (8.26 mm)

.325" (.368" (9.35 mm) plus

board thickness minimum for

bottom entry)

**Wiping Distance:**

(0.38 mm) .015"

**Standard Creepage:**

(2.82 mm) .111" (without -LC)

(1.38 mm) .054" (with -LC)

**Standard Clearance:**

(2.5 mm) .098" (without -LC)

(1.05 mm) .041" (with -LC)

**Lead-Free Solderable:**

Yes

**SMT Lead Coplanarity:**

(0.15 mm) .006" max (02-10)\*

(0.20 mm) .008" max (11-20)\*

\*(.004" stencil solution

may be available; contact

IPG@samtec.com)

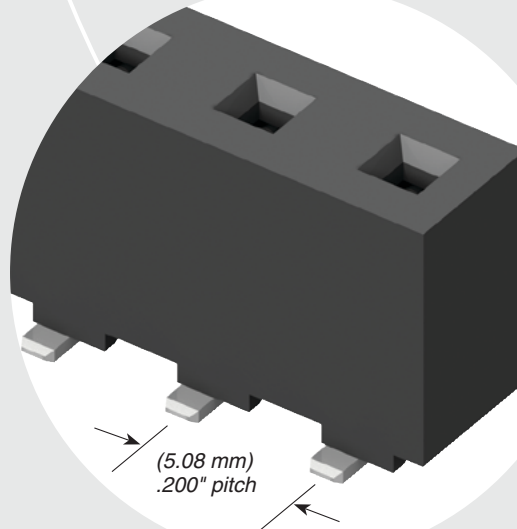
**RoHS Compliant:**

Yes

**Mates with:**

HPM, HPW

HPF/HPM	
PINS	CURRENT RATING (PER CONTACT)
1	16.6 A
2	14.4 A
3	13.2 A
4	12.7 A
20	8.9 A



Surface Mount  
or  
Through-hole

**RUGGEDIZED**  
BY SAMTEC

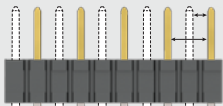
- Three-finger Power Eye contact
- Locking clip option

**RECOGNITIONS**

For complete scope of recognitions see [www.samtec.com/quality](http://www.samtec.com/quality)



**CREEPAGE AND CLEARANCE**



Selectively loading contacts achieves customer specific creepage and clearance requirements.

Contact [asp@samtec.com](mailto:asp@samtec.com)

**Note:**  
Some lengths, styles and options are non-standard, non-returnable.

**HPF** — **NO. PINS PER ROW** — **LEAD STYLE** — **PLATING OPTION** — **S** — **OTHER OPTIONS**

**02 thru 20**

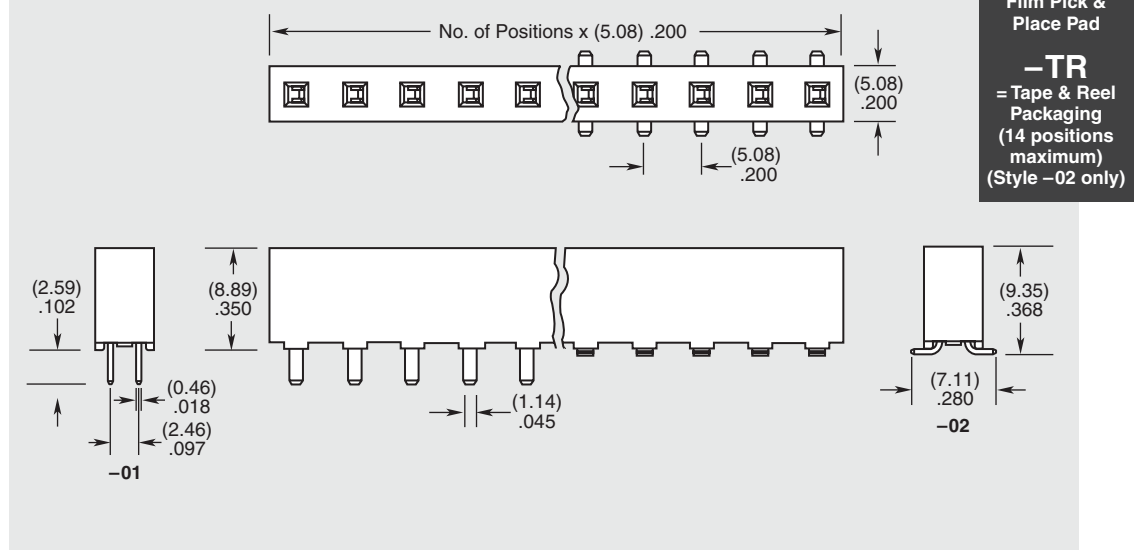
**-01** = Through-hole  
**-02** = Surface Mount

**-T** = Matte Tin

**-LC** = Locking Clip (Manual placement required) (Style -02 only)

**-K** = (6.50 mm) .256" DIA Polyimide Film Pick & Place Pad

**-TR** = Tape & Reel Packaging (14 positions maximum) (Style -02 only)



Due to technical progress, all designs, specifications and components are subject to change without notice.

[WWW.SAMTEC.COM](http://WWW.SAMTEC.COM)

All parts within this catalog are built to Samtec's specifications. Customer specific requirements must be approved by Samtec and identified in a Samtec customer-specific drawing to apply.

## X-ON Electronics

Largest Supplier of Electrical and Electronic Components

*Click to view similar products for [Power to the Board](#) category:*

*Click to view products by [Samtec](#) manufacturer:*

Other Similar products are found below :

[10131318-08512GRLF](#) [6450171-4](#) [6450552-7](#) [6600323-8](#) [6643429-1](#) [6646040-2](#) [6651939-1](#) [6766604-1](#) [120959-1](#) [1393557-2](#) [1393532-2](#)  
[1393532-3](#) [1393532-4](#) [1393557-1](#) [1600812-5](#) [1-6450861-2](#) [1645595-1](#) [1743490-1](#) [1744132-7](#) [1761122-1](#) [1766169-1](#) [1766250-1](#) [18362](#)  
[1892109-1](#) [1-967627-6](#) [2226808-1](#) [2-6450860-5](#) [2-6450860-6](#) [2-6450870-0](#) [93003-0502](#) [953552-1](#) [1-6450161-4](#) [1-6450850-6](#) [1645526-2](#) [1-](#)  
[6600130-0](#) [1743419-1](#) [1766150-1](#) [2005243-2](#) [211110-1](#) [2-6600130-2](#) [TE34-12-16P-F0](#) [5-6450830-6](#) [5646956-4](#) [36662-0005](#) [40585-3000](#) [4-](#)  
[6450830-9](#) [4-6600333-3](#) [51142-0214](#) [10134048-911LF](#) [10123159-301LF](#)