

PCB板安装尺寸

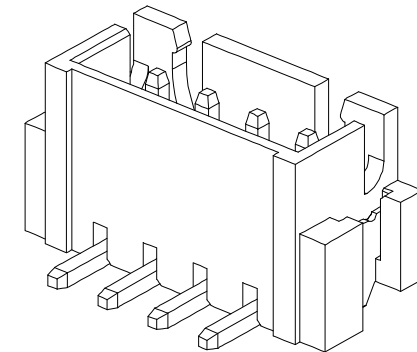
| poles | A    | B    | C    |
|-------|------|------|------|
| 2P    | 2.5  | 7.5  | 10.0 |
| 3P    | 5.0  | 10.0 | 12.5 |
| 4P    | 7.5  | 12.5 | 15.0 |
| 5P    | 10.0 | 15.0 | 17.5 |
| 6P    | 12.5 | 17.5 | 20.0 |
| 7P    | 15.0 | 20.0 | 22.5 |
| 8P    | 17.5 | 22.5 | 25.0 |
| 9P    | 20.0 | 25.0 | 27.5 |
| 10P   | 22.5 | 27.5 | 30.0 |
| 11P   | 25.0 | 30.0 | 32.5 |
| 12P   | 27.5 | 32.5 | 35.0 |
| 13P   | 30.0 | 35.0 | 37.5 |
| 14P   | 32.5 | 37.5 | 40.0 |
| 15P   | 35.0 | 40.0 | 42.5 |
| 16P   | 37.5 | 42.5 | 45.0 |

技术参数 (SPECIFICATIONS)

额定电压: 250V AC DC  
 Voltage rating: 250V AC DC  
 额定电流: 3.0A AC DC #22  
 Current rating: 3.0A AC DC #22  
 耐压值: 1000V AC/minute  
 Withstand voltage: 1000V AC/minute  
 绝缘电阻: 1000MΩ MIN  
 Insulation resistance: 1000MΩ MIN  
 接触电阻: 0.02Ω MAX  
 Contact resistance: 0.02Ω MAX  
 工作温度: -25℃~+85℃  
 Working Temperature: -25℃~+85℃  
 间距: 2.5mm  
 Pitch: 2.5mm

材料 (MATERIAL)

绝缘体: 尼龙9T UL94V-0  
 Insulator: PA9T UL94V-0  
 接触针: 黄铜  
 Contact Pin: Brass  
 焊片: 黄铜  
 Solder tab: Brass



| APPROVALS |        | DATE      |                |   |              |                                       |                      |              |
|-----------|--------|-----------|----------------|---|--------------|---------------------------------------|----------------------|--------------|
| DRAWN     | LIUCAN | 2022.9.13 |                |   |              | TITLE:                                | Bar Connector Series |              |
| CHECKED   |        |           | PART NO.       | 2.50T-nP-WV   |              |                                       |                      |              |
| APPROVALS |        |           | TOLERANCES ARE | 30~以上 ±0.30<br>10~30 ±0.20<br>5~10 ±0.15<br>~ 5 ±0.10 | ANGLE<br>±2' | UNIT: mm<br>SCALE: 1:1<br>DRAWING NO. | PROJ:                | SHEET 1 OF 1 |

| ECN NO. | REV. | DATE. | DESCRIPTION. | CHANGE. | CHECK. | APPRO. |
|---------|------|-------|--------------|---------|--------|--------|
|         | A    |       | NEW          |         |        |        |

## X-ON Electronics

Largest Supplier of Electrical and Electronic Components

*Click to view similar products for [Headers & Wire Housings](#) category:*

*Click to view products by [HRO parts](#) manufacturer:*

Other Similar products are found below :

[0015917161](#) [0022155065](#) [57102-F02-18ULF](#) [58102-G61-06LF](#) [582553-1](#) [01.001.5753.1](#) [0050291907](#) [02.125.8002.8](#) [609-3404](#) [61062-3](#)  
[CSU011177004](#) [622-0430](#) [622-3653LF](#) [63453-116](#) [636-1030](#) [636-1427](#) [636-3427](#) [636-4007](#) [641938-9](#) [65495-038](#) [65692-001LF](#) [65781-018](#)  
[65781-047](#) [65817-010LF](#) [65817-015LF](#) [67095-007LF](#) [67601157](#) [68631-112](#) [68645-018](#) [699319-000](#) [70.362.1628.0](#) [70-4210](#) [70-4226B](#) [70-](#)  
[4853B](#) [71.350.2428.0](#) [733-134](#) [733-162](#) [760-3052](#) [MHR-64-VUAL](#) [80.063.4001.1](#) [800-90-001-10-001000](#) [801-43-002-10-013000](#)  
[801-43-006-10-002000](#) [803-43-024-10-001000](#) [803-93-012-10-001000](#) [8-1437020-4](#) [819-22-004-30-001101](#) [820-22-006-30-001101](#)  
[820-22-008-30-001101](#) [821-22-002-10-001101](#)