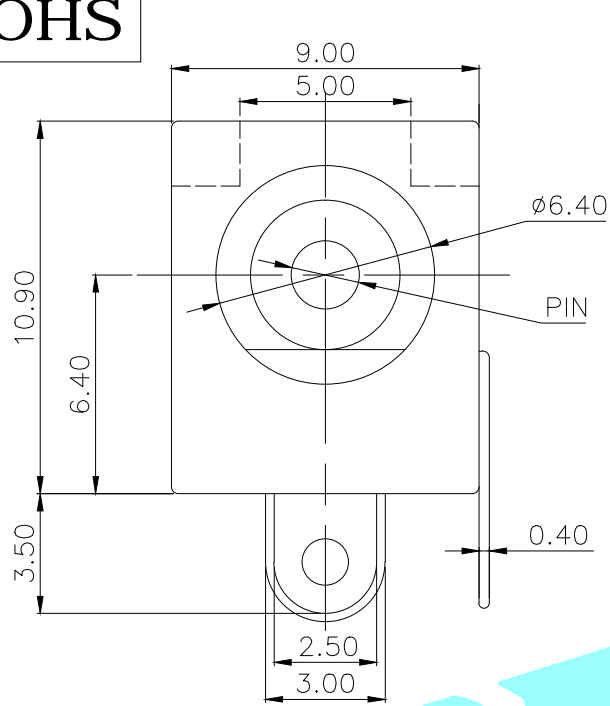
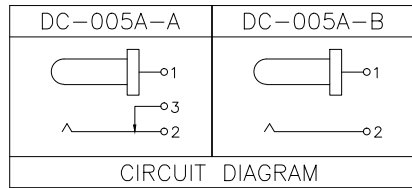
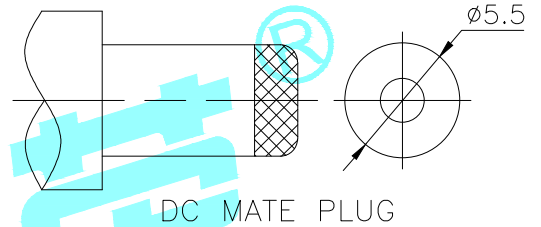
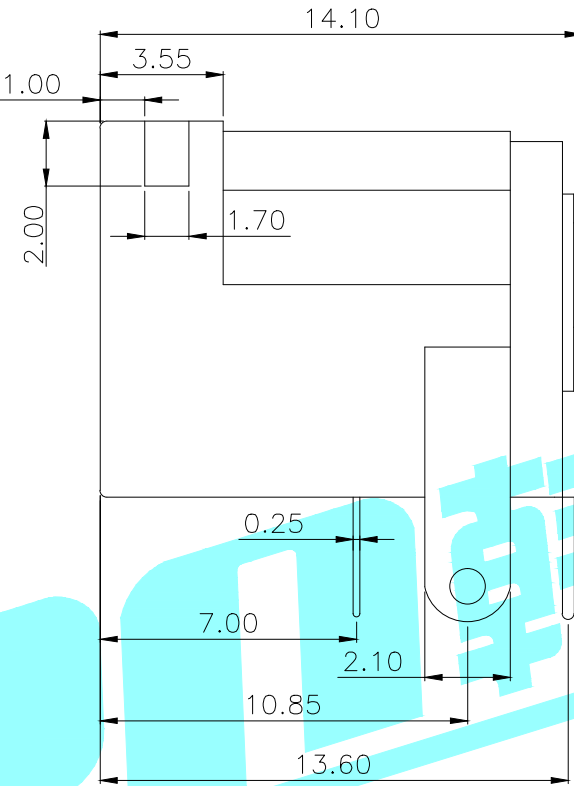
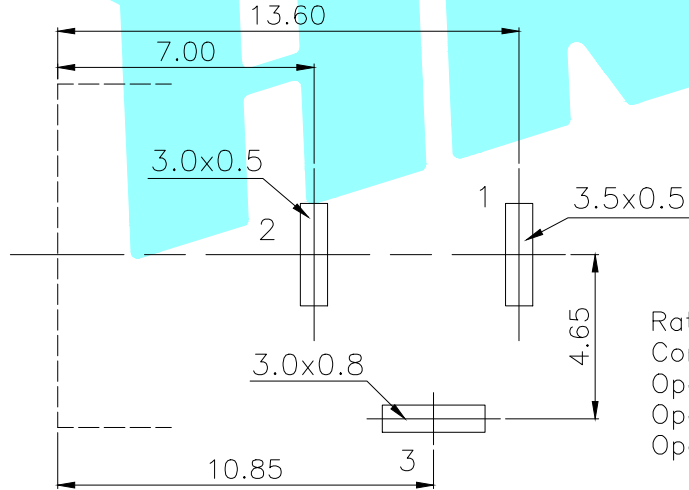


ROHS



P.C.B LAYOUT(Copper-side view)



|           |      |       |      |
|-----------|------|-------|------|
| Model No. | 1    | 2     | 3    |
| PIN       | φ2.0 | φ2.35 | φ2.5 |

Rating:0.5A 30V DC  
 Contact Resistance:100 mΩ Max.  
 Operating temperature:-20℃~70℃  
 Operating force:3-20N  
 Operating Life:5,000cycles

|      |           |         |      |                 |           |        |
|------|-----------|---------|------|-----------------|-----------|--------|
| ③    | Terminal  | —       | 3    | Phosphor bronze | —         | —      |
| ②    | Cover     | —       | 1    | PBT             | —         | —      |
| ①    | Housing   | —       | 1    | Nylon           | Black     | —      |
| ITEM | PART NAME | TER'NO. | QTY. | MATERIAL        | FINISHING | REMARK |

|           |           |            |  |                         |         |             |            |              |
|-----------|-----------|------------|--|-------------------------|---------|-------------|------------|--------------|
| APPROVALS |           | DATE       |  | <br>ELECTRONICS CO.,LTD |         |             |            |              |
| DRAWN     | J.X.Zhang | 2013/11/11 |  |                         |         |             | TITLE:     | PHONE JACKES |
| CHECKED   |           |            |  | PART NO.                | DC-005A |             |            |              |
| APPROVALS |           |            |  | TOLERANCES ARE          | ANGLE   | UNIT: mm    | SCALE: 1:1 | PROJ:        |
|           |           |            |  | 30~以上 ±0.30             | ±2'     | DRAWING NO. |            | SHEET 1 OF 1 |
|           |           |            |  | 10~30 ±0.20             |         |             |            |              |
|           |           |            |  | 5~10 ±0.15              |         |             |            |              |
|           |           |            |  | ~ 5 ±0.10               |         |             |            |              |

|         |      |       |     |              |         |        |        |
|---------|------|-------|-----|--------------|---------|--------|--------|
| ECN NO. | REV. | DATE. | NEW | DESCRIPTION. | CHANGE. | CHECK. | APPRO. |
|         | A    |       |     |              |         |        |        |

## X-ON Electronics

Largest Supplier of Electrical and Electronic Components

*Click to view similar products for [DC Power Connectors](#) category:*

*Click to view products by [HRO parts](#) manufacturer:*

Other Similar products are found below :

[163-0308-EX](#) [163-4012-EX](#) [163-4117-EX](#) [163-MJ22-EX](#) [171-0721-EX](#) [KLDX-SMT-0202-BPTR](#) [163-0179-EX](#) [163-4015-EX](#) [171-0722-E](#)  
[K596](#) [KLD-0201-BC](#) [4C6831AX](#) [LCB60PW-M](#) [LCB30PW-M](#) [LCB60PB-M](#) [LCC30PB-M](#) [LCB50PW-M](#) [LCB50-M](#) [LCB60-F](#) [LCC30-M](#)  
[LCB40PW-M](#) [LCC30PW-M](#) [LCB50-F](#) [LCB40-F](#) [LCC40-M](#) [LCC40PB-M](#) [LCB40PB-M](#) [LCC40-F](#) [LCB60-M](#) [LCC40PW-M](#) [LCB50PB-M](#)  
[513820200](#) [DC-S014A-D025-20A](#) [DC007B-2.5-J](#) [DC005-2.5](#) [DC005-2.5-T](#) [DC-S019A-D025-10A](#) [DC007B-2.0](#) [DC-018-2.5A-2.5](#) [DC-005-](#)  
[A25](#) [DC-005-A20](#) [DC-002-100](#) [DC-031A-130](#) [DC-031A-100](#) [DC-003A-130](#) [DC-045-130](#) [DC-192-130](#) [DC-033-130](#) [DC-011-100](#) [DC-002F-](#)  
[130](#)