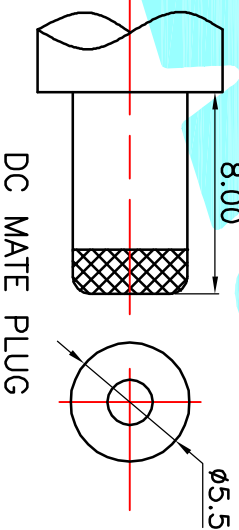
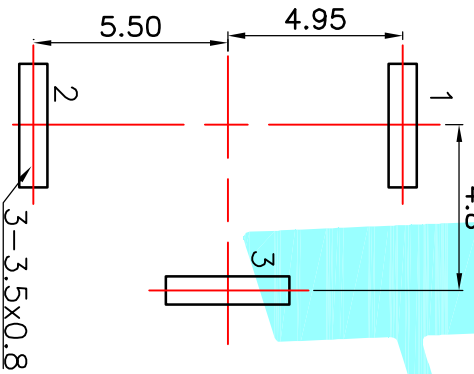
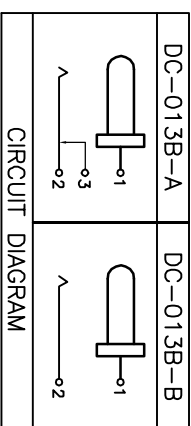


P.C.B LAYOUT(Copper-side view)



Rating:0.5A 30V DC
 Contact Resistance:100 mΩ Max.
 Operating temperature:-20℃~70℃
 Operating force:3~20N
 Operating Life:5,000cycles

| | | | |
|-----------|------------|-------------|------------|
| Model No. | 1 | 2 | 3 |
| PIN | $\phi 2.0$ | $\phi 2.35$ | $\phi 2.5$ |



| | | | |
|----------------|-----------|-----------------|--------------------|
| ② Terminal | 3 | Phosphor bronze | Au Plating |
| ① Housing | 1 | Nylon | Black |
| ITEM PART NAME | TERN.O. | QTY. | MATERIAL FINISHING |
| APPROVALS | | DATE | REMARK |
| DRAWN | J.X.Zhang | 2013/11/11 | |
| CHECKED | | | |
| APPROVALS | | TITLE: | DC JACKES |
| APPROVALS | | PART NO. | DC-013B |
| APPROVALS | | SCALE: | 1:1 |
| APPROVALS | | DRAWING NO. | |
| APPROVALS | | SHEET | 1 OF 1 |



| | | | | | | |
|---------|------|-------|--------------|---------|--------|--------|
| ECN NO. | REV. | DATE. | DESCRIPTION. | CHANGE. | CHECK. | APPRO. |
| | A | | NEW | | | |

X-ON Electronics

Largest Supplier of Electrical and Electronic Components

Click to view similar products for [hro parts manufacturer](#):

Other Similar products are found below :

[K5-1652UA-01](#) [U-B-M4DD-W-2](#) [K2-1848FP-A4DW-01](#) [3D162](#) [ES-12KP](#) [SD-01A](#) [DC-044S-20A](#) [K3-1336S-F1](#) [K2-1112SQ-A4SW-01](#)
[K2-6645SP-S4SC-04](#) [K2-6639DP-I3SW-04](#) [ES-08KP](#) [ES-10KP](#) [DS-07RP](#) [K6-6610D01](#) [ES-09KP](#) [U-B-M4SS-W-1](#) [U-A-24DD-W-11](#) [K2-](#)
[1832UR-A3SW-06](#) [K3-1391C-51](#) [K2-1821SH-A4SW-06](#) [DA-12RP](#) [U-A-25DD-W-1](#) [EM-12KP](#) [DS-12BP](#) [DP-12BP](#) [TYPE-C-31-G-02](#) [ES-](#)
[05KP](#) [K3-2235S-L1](#) [DS-12RP](#) [ES-04KP](#) [ES-06KP](#) [PJ-601-5A](#) [K2-1830UQ-A4DW-06](#) [K9-1804A-1](#) [U-A-24DD-Y-7](#) [K9-1801A-7](#) [DA-12BP](#)
[K2-1821DQ-A4SW-06](#) [K6-6272S04](#) [K3-1336S-K1](#) [K9-1803N](#) [K2-1109DP-B4SW-01](#) [K2-1102AQ-A3SW-01](#) [DP-12RP](#) [K6-6147D01](#) [DC-](#)
[033-13A](#) [K2-1806SG-A4DW-04](#) [K2-1156UP-F4SW-05](#) [K9-1801A](#)