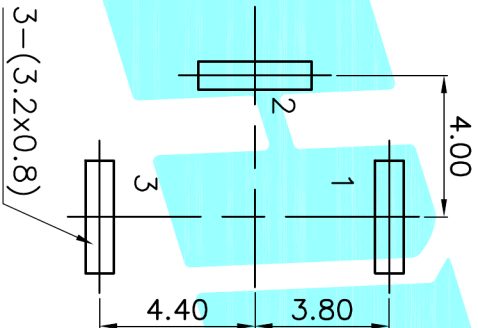


P.C.B LAYOUT(copper-sided view)



Rating:0.5A 30V DC
 Contact Resistance:100 mΩ Max.
 Operating temperature:-20℃~70℃
 Operating force:3-20N
 Operating Life:5,000cycles

Model No.	DC-025BM-A	DC-025BM-B
Schematic		

Model No.	1	2	3
PIN	$\phi 2.0$	$\phi 2.35$	$\phi 2.5$

ECN NO.	REV.	DATE.	DESCRIPTION.	CHANGE.	CHECK.	APPRO.																																																																
	A		NEW																																																																			
<table border="1"> <tr> <td>② Terminal</td> <td>3</td> <td>Phosphor bronze</td> <td>Au Plating</td> </tr> <tr> <td>① Housing</td> <td>1</td> <td>Nylon</td> <td>Black</td> </tr> <tr> <td>ITEM</td> <td>PART NAME</td> <td>TER.NO.</td> <td>QTY.</td> <td>MATERIAL</td> <td>FINISHING</td> <td>REMARK</td> </tr> <tr> <td colspan="2">APPROVALS</td> <td>DATE</td> <td colspan="4"></td> </tr> <tr> <td>DRAWN</td> <td>J.X.Zhang</td> <td>2013/11/11</td> <td colspan="4">ELECTRONICS CO.,LTD</td> </tr> <tr> <td>CHECKED</td> <td></td> <td></td> <td colspan="4">TITLE: PHONE JACKES</td> </tr> <tr> <td>APPROVALS</td> <td></td> <td></td> <td>PART NO.</td> <td colspan="3">DC-025BM</td> </tr> <tr> <td colspan="2">TOLERANCES ARE</td> <td>30~0.15</td> <td>±0.30</td> <td>ANGLE</td> <td>UNIT: mm</td> <td>SCALE: 1:1</td> </tr> <tr> <td></td> <td></td> <td>10~0.30</td> <td>±0.20</td> <td></td> <td></td> <td>PROJ. </td> </tr> <tr> <td></td> <td></td> <td>5~0.10</td> <td>±0.15</td> <td>±2'</td> <td>DRAWING NO.</td> <td>SHEET 1 OF 1</td> </tr> </table>							② Terminal	3	Phosphor bronze	Au Plating	① Housing	1	Nylon	Black	ITEM	PART NAME	TER.NO.	QTY.	MATERIAL	FINISHING	REMARK	APPROVALS		DATE					DRAWN	J.X.Zhang	2013/11/11	ELECTRONICS CO.,LTD				CHECKED			TITLE: PHONE JACKES				APPROVALS			PART NO.	DC-025BM			TOLERANCES ARE		30~0.15	±0.30	ANGLE	UNIT: mm	SCALE: 1:1			10~0.30	±0.20			PROJ.			5~0.10	±0.15	±2'	DRAWING NO.	SHEET 1 OF 1
② Terminal	3	Phosphor bronze	Au Plating																																																																			
① Housing	1	Nylon	Black																																																																			
ITEM	PART NAME	TER.NO.	QTY.	MATERIAL	FINISHING	REMARK																																																																
APPROVALS		DATE																																																																				
DRAWN	J.X.Zhang	2013/11/11	ELECTRONICS CO.,LTD																																																																			
CHECKED			TITLE: PHONE JACKES																																																																			
APPROVALS			PART NO.	DC-025BM																																																																		
TOLERANCES ARE		30~0.15	±0.30	ANGLE	UNIT: mm	SCALE: 1:1																																																																
		10~0.30	±0.20			PROJ.																																																																
		5~0.10	±0.15	±2'	DRAWING NO.	SHEET 1 OF 1																																																																

X-ON Electronics

Largest Supplier of Electrical and Electronic Components

Click to view similar products for [DC Power Connectors](#) category:

Click to view products by [HRO parts](#) manufacturer:

Other Similar products are found below :

[1600206-1](#) [163-0308-EX](#) [163-4012-EX](#) [163-4117-EX](#) [163-7421](#) [163-MJ22-EX](#) [171-0721-EX](#) [KLDX-SMT-0202-BPTR](#) [163-0179-EX](#) [163-1000-EX](#) [163-4007-EX](#) [163-4015-EX](#) [171-0722-E](#) [171-7391](#) [K596](#) [KLD-0201-BC](#) [KPPX-D](#) [4C6831AX](#) [TS3PNJ](#) [VLP-12V-1](#) [DC PLUG-P1J-P1MR](#) [09441](#) [AS120-F](#) [09442](#) [AS120-M](#) [09759](#) [CP30240](#) [TAMIYA-M](#) [TAMIYA-MT1](#) [TAMIYA-MT2](#) [4840.1200](#) [4840.2202](#) [C5080HI-04P-18 + C5080HI-C](#) [JC-135](#) [JC-138](#) [JC-210](#) [JC-214](#) [JPO-25 \(FC6814\)](#) [JYO-29 \(FC68102\)](#) [KLS 10 SCHWARZ](#) [KLS 3 SCHWARZ](#) [KPJXHT-4S](#) [WKLS 2](#) [WKLS 40](#) [FA67555](#) [XNES/J 210 SCHWARZ](#) [XNES/J 250 SCHWARZ](#) [FC68026](#) [FC68122C](#) [FC68125](#) [FC68129](#) [FC681375VH](#)