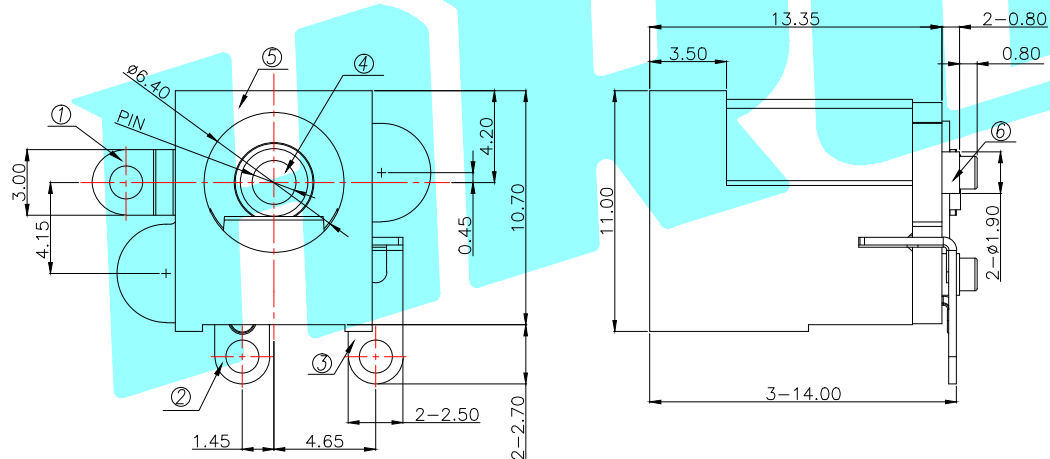
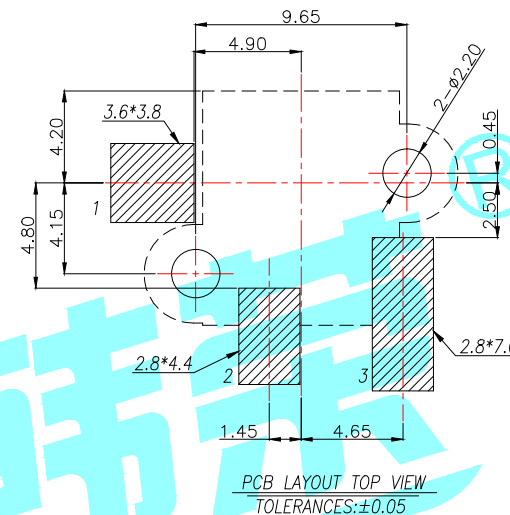
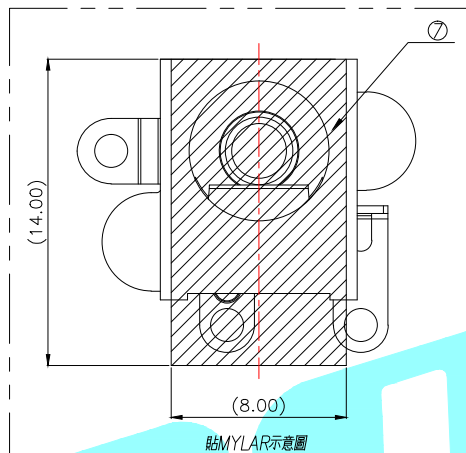
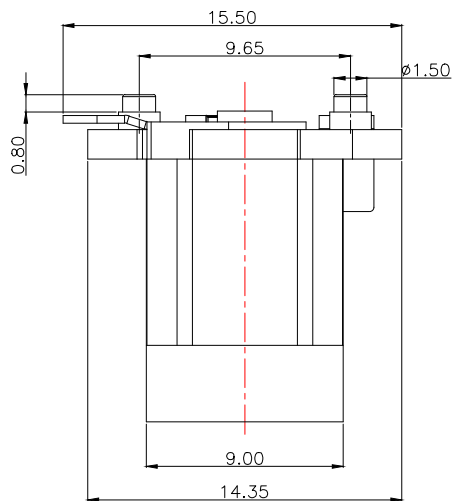
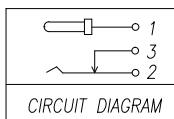


ROHS



SPECIFICATIONS:

- ELECTRICAL CHARACTERISTICS:
 - RATING: 20V, 7A Min.
 - CONTACT RESISTANCE: 50 MILLIOHMS Max. FOR INITIAL, 80 MILLIOHMS Max. AFTER 5000 CYCLES.
 - INSULATION RESISTANCE: 100 MEGAOHMS Min. BY 500V DC AFTER 1 MINUTE.
 - DIELECTRIC WITHSTANDING VOLTAGE: 500V RMS AFTER 1 MINUTE.
- MECHANICAL CHARACTERISTICS:
 - INSERTION FORCE : 0.3~3.0 KGF(2.94~29.4N)
 - WITHDRAWAL FORCE : 0.3~3.0 KGF(2.94~29.4N)
- LIFE TEST: 5,000 CYCLES MIN.



Model No.	DC-182-20A	DC-182-25A
PIN	φ2.0	φ2.5

ITEM	PART NAME	TER'NO.	QTY.	MATERIAL	FINISHING	REMARK
⑦	COVER	---	1	N/A	AMBER	---
⑥	COVER	---	1	NYLON	Black	---
⑤	HOUSING	---	1	NYLON	Black	---
④	CENTER PIN	---	1	BRASS	Ni Plating	---
③	TERMINAL 3	---	1	COPPER ALLOY	Ag Plating	---
②	TERMINAL 2	---	1	COPPER ALLOY	Ag Plating	---
①	TERMINAL 1	---	1	COPPER ALLOY	Ag Plating	---

APPROVALS		DATE	HRO 韓綜® ELECTRONICS CO.,LTD			
DRAWN	JKUN.LU	2013/11/11	TITLE:	DC POWER JACK		
CHECKED			PART NO.	DC-182		
APPROVALS			TOLERANCES ARE	30~以上 10~30 5~10 ~ 5	±0.30 ±0.20 ±0.15 ±0.10	ANGLE ±2°
ECN NO.	REV.	DATE.	UNIT:	mm	SCALE:	1:1
			DRAWING NO.			PROJ:
						SHEET 1 OF 1

ECN NO.	REV.	DATE.	DESCRIPTION.	CHANGE.	CHECK.	APPRO.
	A		NEW			

X-ON Electronics

Largest Supplier of Electrical and Electronic Components

Click to view similar products for [DC Power Connectors](#) category:

Click to view products by [HRO parts](#) manufacturer:

Other Similar products are found below :

[B04P-VL-VN-1.8](#) [1600206-1](#) [163-0308-EX](#) [163-4012-EX](#) [163-4117-EX](#) [163-7421](#) [163-MJ22-EX](#) [171-0721-EX](#) [KLDX-SMT-0202-BPTR](#)
[163-0179-EX](#) [163-1000-EX](#) [163-4007-EX](#) [163-4015-EX](#) [171-0722-E](#) [171-7391](#) [K596](#) [KLD-0201-BC](#) [KPPX-D](#) [4C6831AX](#) [TS3PNJ](#)
[E16550-0008](#) [VLP-08V-1](#) [VLP-12V-1](#) [VLS-01V](#) [DC PLUG-P1M-P1MR](#) [09442](#) [AS120-M](#) [09760](#) [CP30240](#) [TAMIYA-M](#) [TAMIYA-MT1](#)
[TAMIYA-MT2](#) [4840.1200](#) [4840.2202](#) [C5080HI-04P-18 + C5080HI-C](#) [JC-138](#) [JC-210](#) [JPO-25 \(FC6814\)](#) [JYO-26 \(FC6811\)](#) [JYO-29](#)
[\(FC68102\)](#) [KLBPS 3](#) [KLS 10 SCHWARZ](#) [KLS 40 SCHWARZ](#) [KPJXHT-4S](#) [DC-10A FC68148](#) [DC-10B \(FC68149\)](#) [WKLS 2](#) [WKLS 40](#)
[FA67555](#) [XNES/J 210 SCHWARZ](#) [XNES/J 250 SCHWARZ](#)