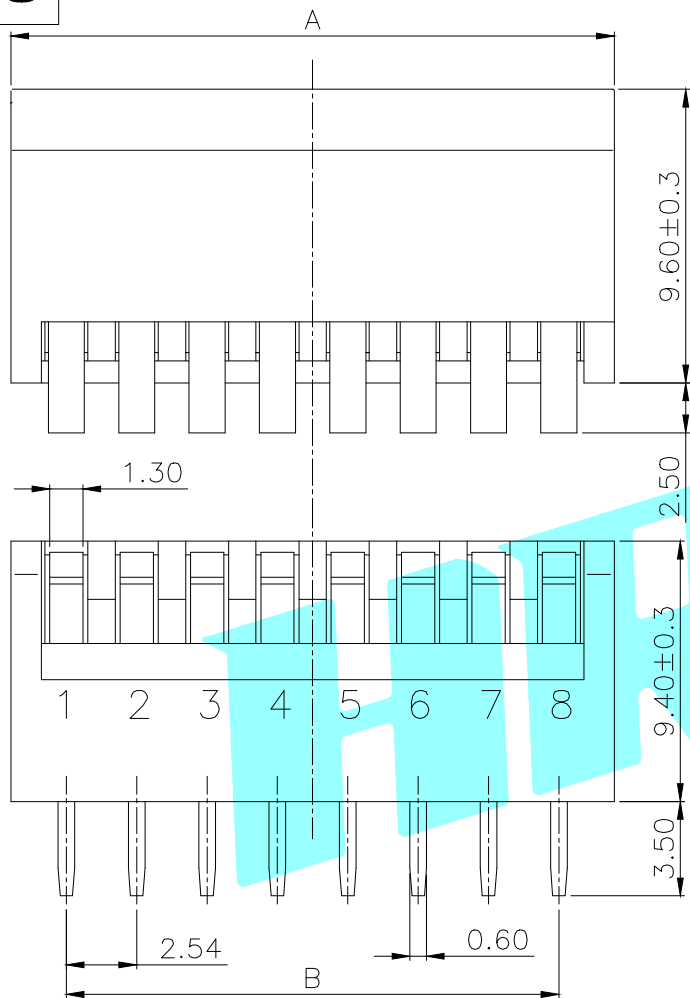
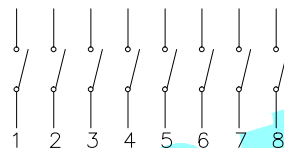


# ROHS

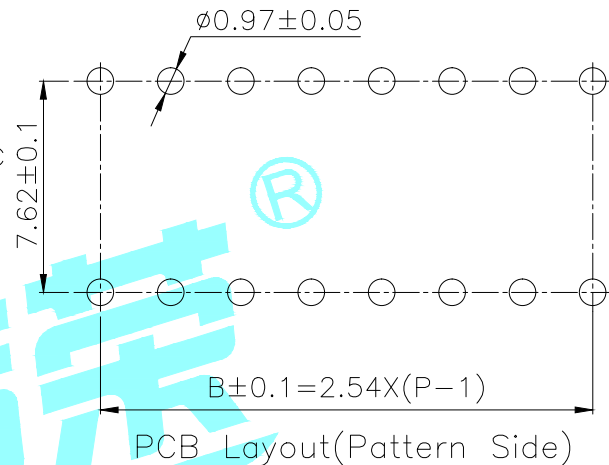


NOTE:

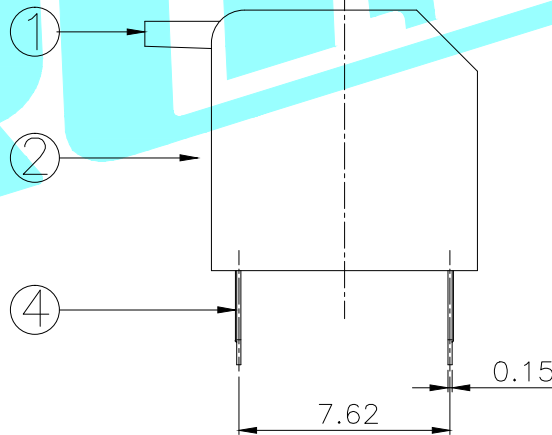
1. Rating: 24V 25mA DC
2. Insulation Resistance:  $\geq 100 \text{ M}\Omega$
3. Withstand voltage: AC 500V 1Minute
4. Operating Force Range: 1000gf Max
5. Electrical Life: 2,000 Cycles
6. Operating Temperature range  $-20^{\circ}\sim+70^{\circ}\text{C}$
7. Ambient Humidity used:  $\leq 85\% \text{RH}$



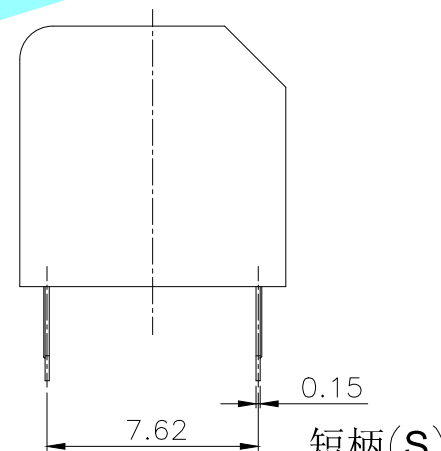
Circuit Diagram



PCB Layout (Pattern Side)



凸柄(P)



短柄(S)

| Position(位数)   | 2P      | 3P      | 4P      | 5P      | 6P      | 7P      | 8P      | 9P      | 10P     | 12P     |
|----------------|---------|---------|---------|---------|---------|---------|---------|---------|---------|---------|
| DIM.A(长度)      | 6.64    | 9.18    | 11.72   | 14.26   | 16.80   | 19.34   | 21.88   | 24.42   | 26.96   | 32.04   |
| DIM.B(长度)      | 2.54    | 5.08    | 7.62    | 10.16   | 12.70   | 15.24   | 17.78   | 20.32   | 22.86   | 27.94   |
| PART NO. 凸柄(P) | DP-02RP | DP-03RP | DP-04RP | DP-05RP | DP-06RP | DP-07RP | DP-08RP | DP-09RP | DP-10RP | DP-12RP |
| 盖子/红色(R) 短柄(S) | DP-02RS | DP-03RS | DP-04RS | DP-05RS | DP-06RS | DP-07RS | DP-08RS | DP-09RS | DP-10RS | DP-12RS |
| PART NO. 凸柄(P) | DP-02BP | DP-03BP | DP-04BP | DP-05BP | DP-06BP | DP-07BP | DP-08BP | DP-09BP | DP-10BP | DP-12BP |
| 盖子/蓝色(B) 短柄(S) | DP-02BS | DP-03BS | DP-04BS | DP-05BS | DP-06BS | DP-07BS | DP-08BS | DP-09BS | DP-10BS | DP-12BS |

|      |           |         |      |                 |            |        |
|------|-----------|---------|------|-----------------|------------|--------|
| ⑤    | Gum Water | —       |      | Epikote         | Black      | —      |
| ④    | Terminal  | —       |      | Phosphor bronze | Au Plating | —      |
| ③    | Base      | —       | 1    | PBT             | Black      | —      |
| ②    | Cover     | —       | 1    | PBT             | Red/Blue   | —      |
| ①    | Keystoke  | —       | 1    | PBT             | White      | —      |
| ITEM | PART NAME | TER'NO. | QTY. | MATERIAL        | FINISHING  | REMARK |

| APPROVALS      |        | DATE      | HROELECTRONICS CO.,LTD |                          |            |              |
|----------------|--------|-----------|------------------------|--------------------------|------------|--------------|
| DRAWN          | LIUCAN | 2021.3.18 | ELECTRONICS CO.,LTD    |                          |            |              |
| CHECKED        |        |           | TITLE:                 | MULTIFUNCTIONAL SWITCHES |            |              |
| APPROVALS      |        |           | PART NO.               | DP-□□□□                  |            |              |
| TOLERANCES ARE | 30~以上  | ±0.30     | ANGLE                  | UNIT: mm                 | SCALE: 1:1 | PROJ:        |
|                | 10~30  | ±0.20     |                        |                          |            |              |
|                | 5~10   | ±0.15     |                        |                          |            |              |
|                | ~ 5    | ±0.10     |                        |                          |            |              |
|                |        |           | ±2'                    | DRAWING NO.              |            | SHEET 1 OF 1 |

| ECN NO. | REV. | DATE. | DESCRIPTION. | CHANGE. | CHECK. | APPRO. |
|---------|------|-------|--------------|---------|--------|--------|
|         | A    |       | NEW          |         |        |        |

## X-ON Electronics

Largest Supplier of Electrical and Electronic Components

*Click to view similar products for [DIP Switches/SIP Switches](#) category:*

*Click to view products by [HRO parts](#) manufacturer:*

Other Similar products are found below :

[79B10T](#) [8136-475G4T](#) [G7G-1A2-CB-DC12](#) [H7CZL8AC100240](#) [DRR60016](#) [DRS4016](#) [1825444-1](#) [200183](#) [206002](#) [219-6LPSTRF](#)  
[25.350.0653.0](#) [SBS 5004 TG](#) [SDA10H1BDA](#) [97R06ST](#) [A2C-2A5](#) [1825444-7](#) [ADE08SA04](#) [ADE12S04](#) [192960010](#) [206005RAS](#) [206007](#) [2-](#)  
[1825058-8](#) [25.330.0653.1](#) [25.352.0353.0](#) [CXDRIVEV2X](#) [IKN0600000](#) [IKN0800000](#) [LA2-002-DC24](#) [DSR02T](#) [DSS 208 N](#)  
[E2FMX2D1M1TGJ03M](#) [NDI10H](#) [219-9MSTP](#) [EPM02FV](#) [206010RAST](#) [NDS08V](#) [76SB05](#) [TD06H0SK1](#) [Z7.255.9027.0](#) [1-1825058-3](#)  
[1825428-4](#) [219-10LPSTF](#) [E3ZG6111D03M](#) [G4D212PUSTV2DC5](#) [EPG301BT06](#) [219-7LPSTRF](#) [1-1825058-6](#) [E3TSL23M5J03M](#) [Y5795](#)  
[7R0060](#)