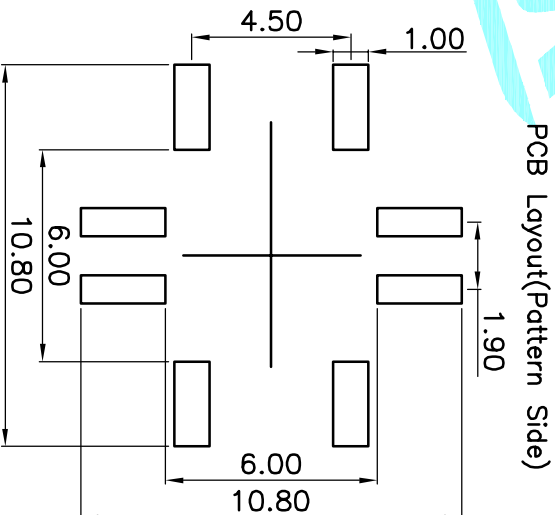
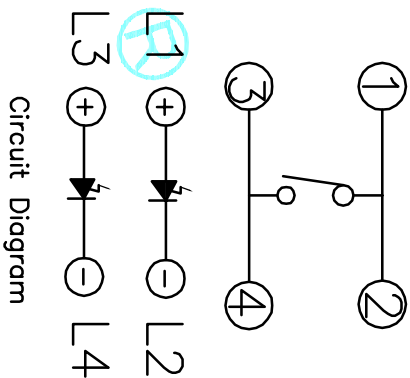


LED colour(LED颜色)	Part No. (料号)
Red(红色)/Blue(蓝色)	K6-6151S01



ECN NO.	REV.	DATE.	DESCRIPTION.	CHANGE.	CHECK.	APPRO.																																																																						
	A		NEW																																																																									
<table border="1"> <tr> <td>② Terminal</td> <td>3</td> <td>Phosphor bronze</td> <td>Au Plating</td> <td></td> <td></td> <td></td> </tr> <tr> <td>① Housing</td> <td>1</td> <td>Nylon</td> <td>Black</td> <td></td> <td></td> <td></td> </tr> <tr> <td>ITEM</td> <td>PART NAME</td> <td>TERN.O.</td> <td>QTY.</td> <td>MATERIAL</td> <td>FINISHING</td> <td>REMARK</td> </tr> <tr> <td colspan="4">APPROVALS</td> <td>DATE</td> <td colspan="2"></td> </tr> <tr> <td colspan="2">DRAWN</td> <td colspan="2">J.X.Zhang</td> <td colspan="3">2013/11/11</td> </tr> <tr> <td colspan="2">CHECKED</td> <td colspan="5"></td> </tr> <tr> <td colspan="2">APPROVALS</td> <td colspan="5"></td> </tr> <tr> <td colspan="2">TOLERANCES ARE</td> <td>30<sup>±0.15</sup></td> <td>±0.30</td> <td>ANGLE</td> <td colspan="2"></td> </tr> <tr> <td></td> <td></td> <td>10<sup>±0.10</sup></td> <td>±0.20</td> <td>UNIT: mm</td> <td>SCALE: 1:1</td> <td>PROJ. </td> </tr> <tr> <td></td> <td></td> <td>5<sup>±0.10</sup></td> <td>±0.15</td> <td>±Z'</td> <td>DRAWING NO.</td> <td>SHEET 1 OF 1</td> </tr> </table>							② Terminal	3	Phosphor bronze	Au Plating				① Housing	1	Nylon	Black				ITEM	PART NAME	TERN.O.	QTY.	MATERIAL	FINISHING	REMARK	APPROVALS				DATE			DRAWN		J.X.Zhang		2013/11/11			CHECKED							APPROVALS							TOLERANCES ARE		30 <sup>±0.15</sup>	±0.30	ANGLE					10 <sup>±0.10</sup>	±0.20	UNIT: mm	SCALE: 1:1	PROJ.			5 <sup>±0.10</sup>	±0.15	±Z'	DRAWING NO.	SHEET 1 OF 1
② Terminal	3	Phosphor bronze	Au Plating																																																																									
① Housing	1	Nylon	Black																																																																									
ITEM	PART NAME	TERN.O.	QTY.	MATERIAL	FINISHING	REMARK																																																																						
APPROVALS				DATE																																																																								
DRAWN		J.X.Zhang		2013/11/11																																																																								
CHECKED																																																																												
APPROVALS																																																																												
TOLERANCES ARE		30 <sup>±0.15</sup>	±0.30	ANGLE																																																																								
		10 <sup>±0.10</sup>	±0.20	UNIT: mm	SCALE: 1:1	PROJ.																																																																						
		5 <sup>±0.10</sup>	±0.15	±Z'	DRAWING NO.	SHEET 1 OF 1																																																																						
<p><b>HRON</b> ELECTRONICS CO.,LTD</p>				<p>TITLE: LED Tact Switch</p> <p>PART NO. K6-6151S</p>																																																																								

## X-ON Electronics

Largest Supplier of Electrical and Electronic Components

*Click to view similar products for* [Optical Switches, Reflective, Photo IC Output](#) *category:*

*Click to view products by* [HRO parts](#) *manufacturer:*

Other Similar products are found below :

[GP2A230LRSAF](#) [GP2A240LCS0F](#) [EE-SPY801](#) [EE-SPY802](#) [AEDR-8100-1P2](#) [AEDR-8710-102](#) [AEDR-8711-102](#) [AEDR-8712-102](#) [AEDR-83001K2](#) [AEDR-8300-1Q2](#) [ECS-22RP1R-1000](#) [ECS-22RP2R-1010](#) [ECS-22RP3R-1000](#) [ECS-22RP1Y-1000](#) [ECS-22RP2Y-1010](#) [ECS-22RP3Y-1000](#) [ECS-22RP1G-1000](#) [ECS-22RP2G-1010](#) [ECS-22RP3G-1000](#) [ECS-22RP1G-1020-L24G](#) [ECS-22RP2R-1030-L24R](#) [ECS-22RL1G-0020-L24G](#) [ECS-22RL1R-0020-L24R](#) [ML6-H4KA2VA](#) [K6-8859D-04](#) [C3012A-TW-R-V](#) [C3012-TW-B-V](#) [ML6-H4K12PGVA](#) [ECS-22RP2G-1030-L24G](#) [ECC128973EU](#) [ECC128974EU](#) [ECC128975EU](#) [K6-1212A-04](#) [K6-6133D-L1-02](#) [K6-6136D-L1-04](#) [K6-6140D-03](#) [K6-6270S-02](#) [K6-6271D-02](#) [K6-6272S-02](#) [ML6-H4K12GVA](#) [EE-SPY415](#) [EE-SY310](#) [EE-SY410](#) [EE-SY413](#) [GP2A200LCSCF](#) [GP2A25J0000F](#) [TLLAG-72APG-R1KH1-V-A](#) [TLLAG-72BB-R1KH2-V-A](#) [TLLAG-72BG-R1KH1-V-A](#) [TLLAG-72BPG-R1SH1-V-A](#)