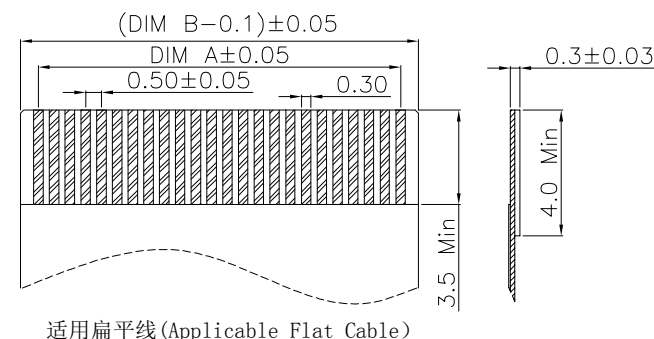
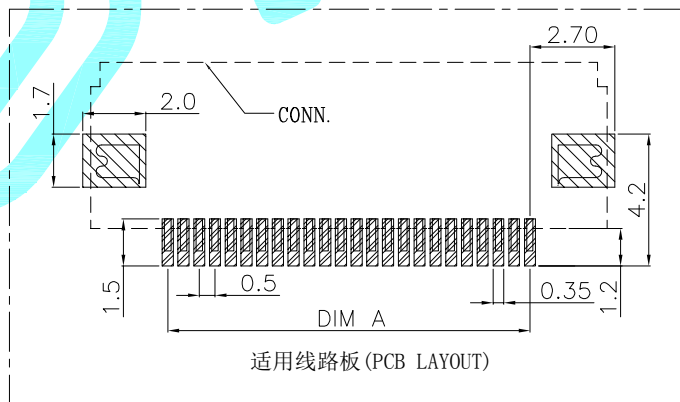
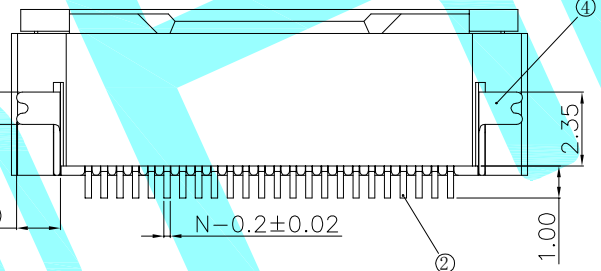
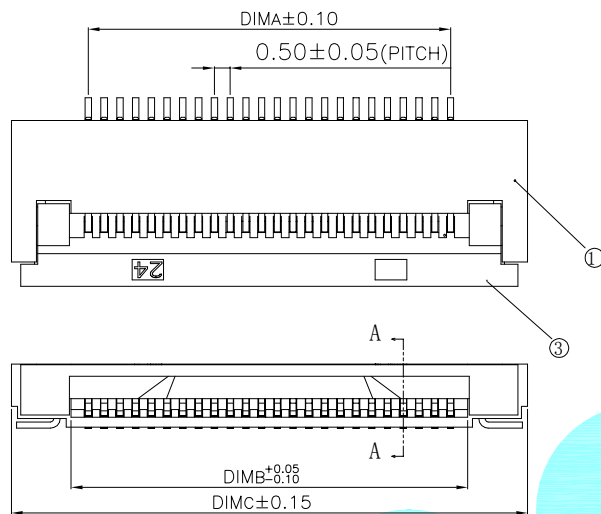


FPC0.5B-WTG-nP

→ PIN数  
→ 掀盖式  
→ 卧式、贴片  
→ PIN间距



- 1.Pin pitch: 0.5
- 2.Rated voltage: 50V AC/DC
- 3.Contact resistance: ≤30mΩ
- 4.Insulation resistance: ≥500MΩ
- 5.Operating temperature: -25°C~+85°C

| CKT | DIM A | DIM B | DIM C | CKT | DIM A | DIM B | DIM C |
|-----|-------|-------|-------|-----|-------|-------|-------|
| 4   | 1.50  | 2.60  | 6.40  | 34  | 16.50 | 17.60 | 21.40 |
| 5   | 2.00  | 3.10  | 6.90  | 35  | 17.00 | 18.10 | 21.90 |
| 6   | 2.50  | 3.60  | 7.40  | 36  | 17.50 | 18.60 | 22.40 |
| 7   | 3.00  | 4.10  | 7.90  | 37  | 18.00 | 19.10 | 22.90 |
| 8   | 3.50  | 4.60  | 8.40  | 38  | 18.50 | 19.60 | 23.40 |
| 9   | 4.00  | 5.10  | 8.90  | 39  | 19.00 | 20.10 | 23.90 |
| 10  | 4.50  | 5.60  | 9.40  | 40  | 19.50 | 20.60 | 24.40 |
| 11  | 5.00  | 6.10  | 9.90  | 41  | 20.00 | 21.10 | 24.90 |
| 12  | 5.50  | 6.60  | 10.40 | 42  | 20.50 | 21.60 | 25.40 |
| 13  | 6.00  | 7.10  | 10.90 | 43  | 21.00 | 22.10 | 25.90 |
| 14  | 6.50  | 7.60  | 11.40 | 44  | 21.50 | 22.60 | 26.40 |
| 15  | 7.00  | 8.10  | 11.90 | 45  | 22.00 | 23.10 | 26.90 |
| 16  | 7.50  | 8.60  | 12.40 | 46  | 22.50 | 23.60 | 27.40 |
| 17  | 8.00  | 9.10  | 12.90 | 47  | 23.00 | 24.10 | 27.90 |
| 18  | 8.50  | 9.60  | 13.40 | 48  | 23.50 | 24.60 | 28.40 |
| 19  | 9.00  | 10.10 | 13.90 | 49  | 24.00 | 25.10 | 28.90 |
| 20  | 9.50  | 10.60 | 14.40 | 50  | 24.50 | 25.60 | 29.40 |
| 21  | 10.00 | 11.10 | 14.90 | 51  | 25.00 | 26.10 | 29.90 |
| 22  | 10.50 | 11.60 | 15.40 | 52  | 25.50 | 26.60 | 30.40 |
| 23  | 11.00 | 12.10 | 15.90 | 53  | 26.00 | 27.10 | 30.90 |
| 24  | 11.50 | 12.60 | 16.40 | 54  | 26.50 | 27.60 | 31.40 |
| 25  | 12.00 | 13.10 | 16.90 | 55  | 27.00 | 28.10 | 31.90 |
| 26  | 12.50 | 13.60 | 17.40 | 56  | 27.50 | 28.60 | 32.40 |
| 27  | 13.00 | 14.10 | 17.90 | 57  | 28.00 | 29.10 | 32.90 |
| 28  | 13.50 | 14.60 | 18.40 | 58  | 28.50 | 29.60 | 33.40 |
| 29  | 14.00 | 15.10 | 18.90 | 59  | 29.00 | 30.10 | 33.90 |
| 30  | 14.50 | 15.60 | 19.40 | 60  | 29.50 | 30.60 | 34.40 |
| 31  | 15.00 | 16.10 | 19.90 | 61  | 30.00 | 31.10 | 34.90 |
| 32  | 15.50 | 16.60 | 20.40 | 64  | 31.50 | 32.60 | 36.40 |
| 33  | 16.00 | 17.10 | 20.90 | 65  | 32.00 | 33.10 | 36.90 |

| ④    | Soldering lug | —       | 1    | Copper Alloy | Sn Plated | —      |
|------|---------------|---------|------|--------------|-----------|--------|
| ③    | Cover         | —       | 1    | LCP UL94V0   | Black     | —      |
| ②    | PIN           | —       | —    | Copper Alloy | Sn Plated | —      |
| ①    | Housing       | —       | 1    | LCP UL94V0   | Natural   | —      |
| ITEM | PART NAME     | TER'NO. | QTY. | MATERIAL     | FINISHING | REMARK |

| APPROVALS |        | DATE      |       |                |                |              |            |                      |
|-----------|--------|-----------|-------|----------------|----------------|--------------|------------|----------------------|
| DRAWN     | LIUCAN | 2023.5.11 |       |                |                |              | TITLE:     | Bar Connector Series |
| CHECKED   |        |           |       | PART NO.       | FPC0.5B-WTG-nP |              |            |                      |
| APPROVALS |        |           |       | TOLERANCES ARE | ANGLE          | UNIT: mm     | SCALE: 1:1 | PROJ:                |
|           |        | 30~以上     | ±0.30 | ±2'            | DRAWING NO.    | SHEET 1 OF 1 |            |                      |
|           |        | 10~30     | ±0.20 |                |                |              |            |                      |
|           |        | 5~10      | ±0.15 |                |                |              |            |                      |
|           |        | ~ 5       | ±0.10 |                |                |              |            |                      |

| ECN NO. | REV. | DATE. | DESCRIPTION. | CHANGE. | CHECK. | APPRO. |
|---------|------|-------|--------------|---------|--------|--------|
| —       | A    | —     | NEW          | —       | —      | —      |

## X-ON Electronics

Largest Supplier of Electrical and Electronic Components

*Click to view similar products for [FFC & FPC Connectors](#) category:*

*Click to view products by [HRO parts](#) manufacturer:*

Other Similar products are found below :

[00-6200-227-022-800](#) [006205250500825+](#) [006205280500825+](#) [FPH-1602G](#) [086222026001800](#) [52610-0675](#) [62674-201121DLF](#) [52746-1671-TR250](#) [10051922-1610EHLF](#) [10051922-2810EHLF](#) [686322124422](#) [XF3M-2915-1B-R100](#) [AYF353125A](#) [AYF530665TA](#) [AYF534065TA](#) [20FLH-RSM1-TB](#) [PCA-7F-25-HL-3-G](#) [207356-1](#) [52807-0430](#) [FFC05011-10SBB114W5M](#) [502250-8027](#) [FH28K-40S-0.5SH](#) [200528-0260](#) [FH28K-10S-0.5SH](#) [501951-1250](#) [X05B20U43T](#) [0.5K-DX-30PWB](#) [DS1020-08-10VBT12](#) [THD0515-34CL-GF](#) [X05A10L28G](#) [ECC2841061EU](#) [20539-030E-01](#) [1.0K-DHQX-16PWB](#) [1.0K-DHQX-30PWB](#) [1775333-6](#) [10054365-202110ELF](#) [10054365-242110ELF](#) [10054365-282110ELF](#) [10064555-392220HLF](#) [59453-041110EBHLF](#) [59453-091110EDHLF](#) [62674-241141ALF](#) [62684-432100ALF](#) [62684-451100AHLF](#) [62684-5721N0ALF](#) [HFW11R-1STE1MTLF](#) [HFW12R-1STE9LF](#) [HFW14R-1STE9MTLF](#) [HFW18S-2STE9LF](#) [HFW20R-1STAE1HLF](#)