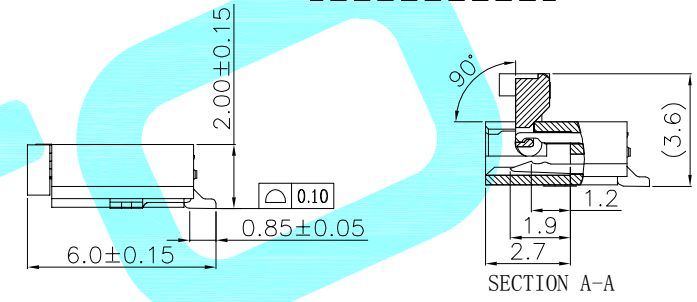
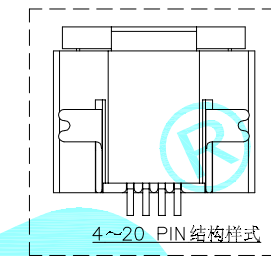
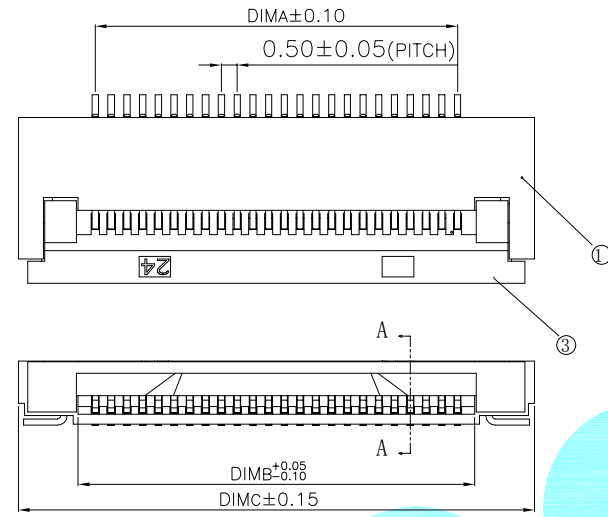


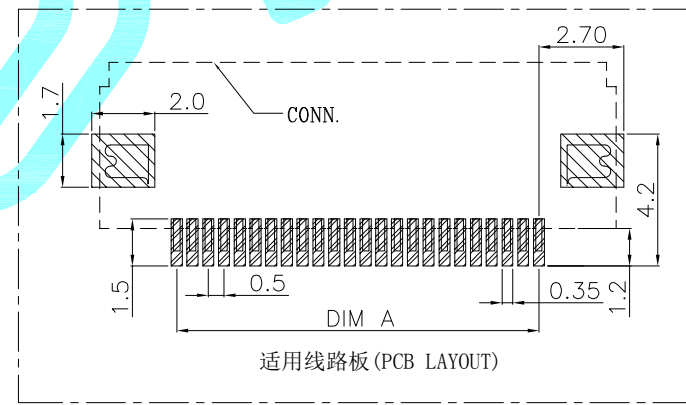
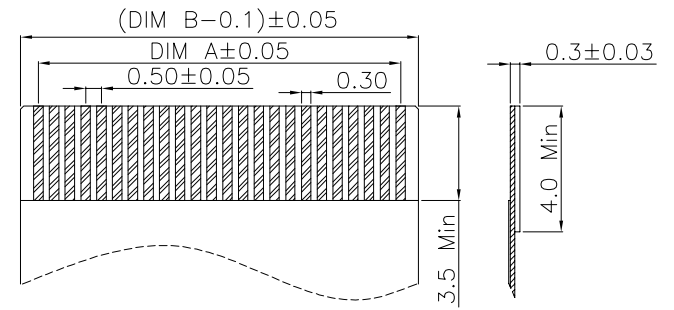
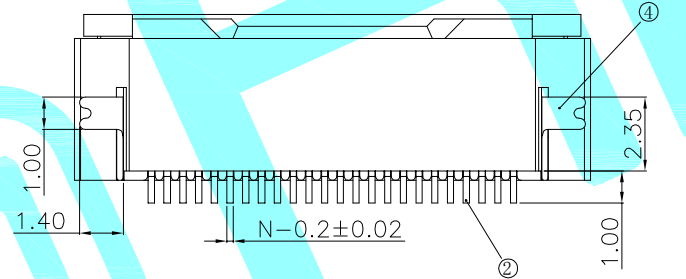
FPC0.5B-WTG-nP

— PIN数
— 掀盖式
— 卧式、贴片
— PIN间距



- 1.Pin pitch: 0.5
- 2.Rated voltage: 50V AC/DC
- 3.Contact resistance: ≤30mΩ
- 4.Insulation resistance: ≥500MΩ
- 5.Operating temperature: -25°C~+85°C

| CKT | DIM A | DIM B | DIM C | CKT | DIM A | DIM B | DIM C |
|-----|-------|-------|-------|-----|-------|-------|-------|
| 4 | 1.50 | 2.60 | 6.40 | 34 | 16.50 | 17.60 | 21.40 |
| 5 | 2.00 | 3.10 | 6.90 | 35 | 17.00 | 18.10 | 21.90 |
| 6 | 2.50 | 3.60 | 7.40 | 36 | 17.50 | 18.60 | 22.40 |
| 7 | 3.00 | 4.10 | 7.90 | 37 | 18.00 | 19.10 | 22.90 |
| 8 | 3.50 | 4.60 | 8.40 | 38 | 18.50 | 19.60 | 23.40 |
| 9 | 4.00 | 5.10 | 8.90 | 39 | 19.00 | 20.10 | 23.90 |
| 10 | 4.50 | 5.60 | 9.40 | 40 | 19.50 | 20.60 | 24.40 |
| 11 | 5.00 | 6.10 | 9.90 | 41 | 20.00 | 21.10 | 24.90 |
| 12 | 5.50 | 6.60 | 10.40 | 42 | 20.50 | 21.60 | 25.40 |
| 13 | 6.00 | 7.10 | 10.90 | 43 | 21.00 | 22.10 | 25.90 |
| 14 | 6.50 | 7.60 | 11.40 | 44 | 21.50 | 22.60 | 26.40 |
| 15 | 7.00 | 8.10 | 11.90 | 45 | 22.00 | 23.10 | 26.90 |
| 16 | 7.50 | 8.60 | 12.40 | 46 | 22.50 | 23.60 | 27.40 |
| 17 | 8.00 | 9.10 | 12.90 | 47 | 23.00 | 24.10 | 27.90 |
| 18 | 8.50 | 9.60 | 13.40 | 48 | 23.50 | 24.60 | 28.40 |
| 19 | 9.00 | 10.10 | 13.90 | 49 | 24.00 | 25.10 | 28.90 |
| 20 | 9.50 | 10.60 | 14.40 | 50 | 24.50 | 25.60 | 29.40 |
| 21 | 10.00 | 11.10 | 14.90 | 51 | 25.00 | 26.10 | 29.90 |
| 22 | 10.50 | 11.60 | 15.40 | 52 | 25.50 | 26.60 | 30.40 |
| 23 | 11.00 | 12.10 | 15.90 | 53 | 26.00 | 27.10 | 30.90 |
| 24 | 11.50 | 12.60 | 16.40 | 54 | 26.50 | 27.60 | 31.40 |
| 25 | 12.00 | 13.10 | 16.90 | 55 | 27.00 | 28.10 | 31.90 |
| 26 | 12.50 | 13.60 | 17.40 | 56 | 27.50 | 28.60 | 32.40 |
| 27 | 13.00 | 14.10 | 17.90 | 57 | 28.00 | 29.10 | 32.90 |
| 28 | 13.50 | 14.60 | 18.40 | 58 | 28.50 | 29.60 | 33.40 |
| 29 | 14.00 | 15.10 | 18.90 | 59 | 29.00 | 30.10 | 33.90 |
| 30 | 14.50 | 15.60 | 19.40 | 60 | 29.50 | 30.60 | 34.40 |
| 31 | 15.00 | 16.10 | 19.90 | 61 | 30.00 | 31.10 | 34.90 |
| 32 | 15.50 | 16.60 | 20.40 | 64 | 31.50 | 32.60 | 36.40 |
| 33 | 16.00 | 17.10 | 20.90 | 65 | 32.00 | 33.10 | 36.90 |



| ④ | Soldering lug | — | 1 | Copper Alloy | Sn Plated | — |
|------|---------------|---------|------|--------------|-----------|--------|
| ③ | Cover | — | 1 | LCP UL94V0 | Black | — |
| ② | PIN | — | — | Copper Alloy | Sn Plated | — |
| ① | Housing | — | 1 | LCP UL94V0 | Natural | — |
| ITEM | PART NAME | TER'NO. | QTY. | MATERIAL | FINISHING | REMARK |

| APPROVALS | | DATE | | | | | | |
|-----------|--------|-----------|-------|----------------|----------------|----------|------------|----------------------|
| DRAWN | LIUCAN | 2023.5.11 | | | | | TITLE: | Bar Connector Series |
| CHECKED | | | | PART NO. | FPC0.5B-WTG-nP | | | |
| APPROVALS | | | | TOLERANCES ARE | ANGLE | UNIT: mm | SCALE: 1:1 | PROJ: |
| | | 30~以上 | ±0.30 | ±2' | DRAWING NO. | SHEET | 1 OF 1 | |
| | | 10~30 | ±0.20 | | | | | |
| | | 5~10 | ±0.15 | | | | | |
| | | ~ 5 | ±0.10 | | | | | |

| ECN NO. | REV. | DATE. | DESCRIPTION. | CHANGE. | CHECK. | APPRO. |
|---------|------|-------|--------------|---------|--------|--------|
| | A | | NEW | | | |

X-ON Electronics

Largest Supplier of Electrical and Electronic Components

Click to view similar products for [FFC & FPC Connectors](#) category:

Click to view products by [HRO parts](#) manufacturer:

Other Similar products are found below :

[00-6200-227-022-800](#) [006205250500825+](#) [006205280500825+](#) [FPH-1602G](#) [086222026001800](#) [52610-0675](#) [62674-201121DLF](#) [52746-1671-TR250](#) [10051922-1610EHLF](#) [10051922-2810EHLF](#) [686322124422](#) [XF3M-2915-1B-R100](#) [AYF353125A](#) [AYF530665TA](#) [AYF534065TA](#) [20FLH-RSM1-TB](#) [PCA-7F-25-HL-3-G](#) [207356-1](#) [52807-0430](#) [502250-8027](#) [FH28K-40S-0.5SH](#) [200528-0260](#) [FH28K-10S-0.5SH](#) [501951-1250](#) [X05B20U43T](#) [0.5K-DX-30PWB](#) [DS1020-08-10VBT12](#) [THD0515-34CL-GF](#) [X05A10L28G](#) [ECC2841061EU](#) [20539-030E-01](#) [1.0K-DHQX-16PWB](#) [1.0K-DHQX-30PWB](#) [1775333-6](#) [10054365-202110ELF](#) [10054365-242110ELF](#) [10054365-282110ELF](#) [10064555-392220HLF](#) [59453-041110EBHLF](#) [59453-091110EDHLF](#) [62674-241141ALF](#) [62684-432100ALF](#) [62684-451100AHLF](#) [62684-5721N0ALF](#) [HFW11R-1STE1MTLF](#) [HFW12R-1STE9LF](#) [HFW14R-1STE9MTLF](#) [HFW18S-2STE9LF](#) [HFW20R-1STAE1HLF](#) [HFW20R-1STE1MTLF](#)