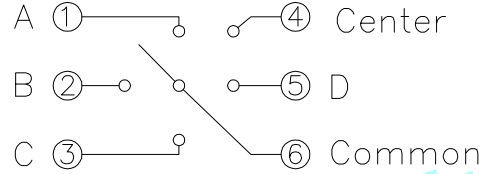
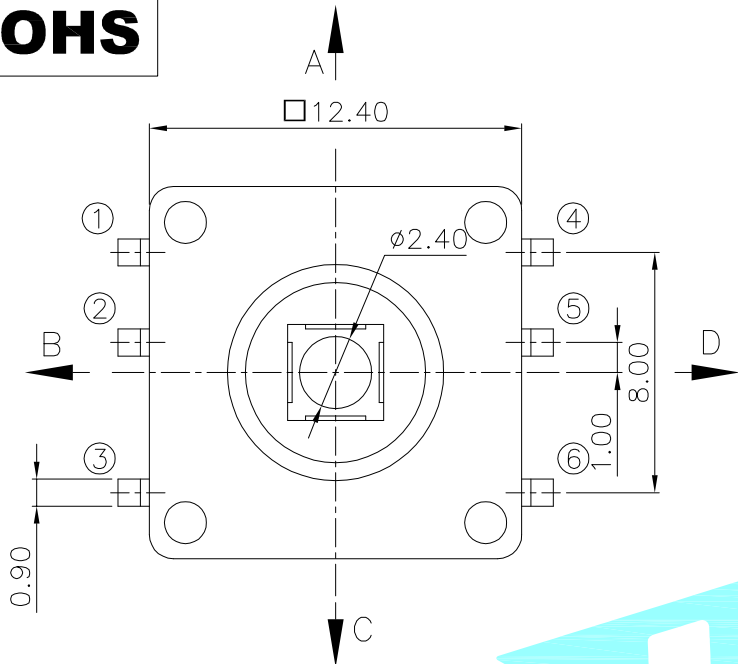
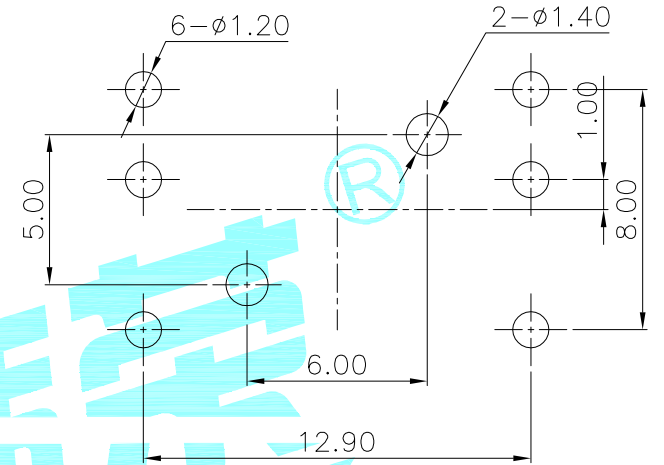


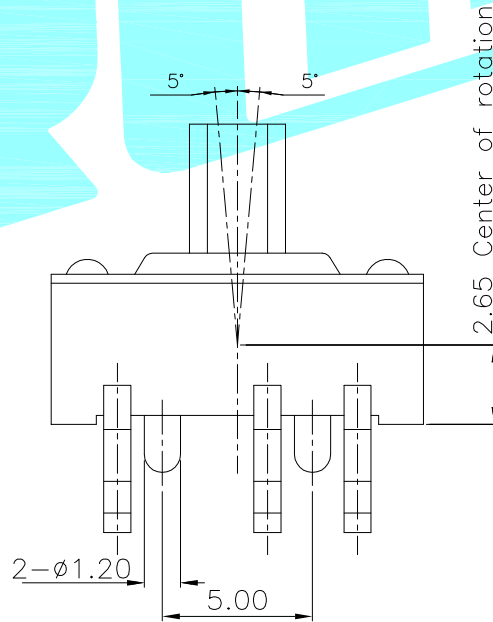
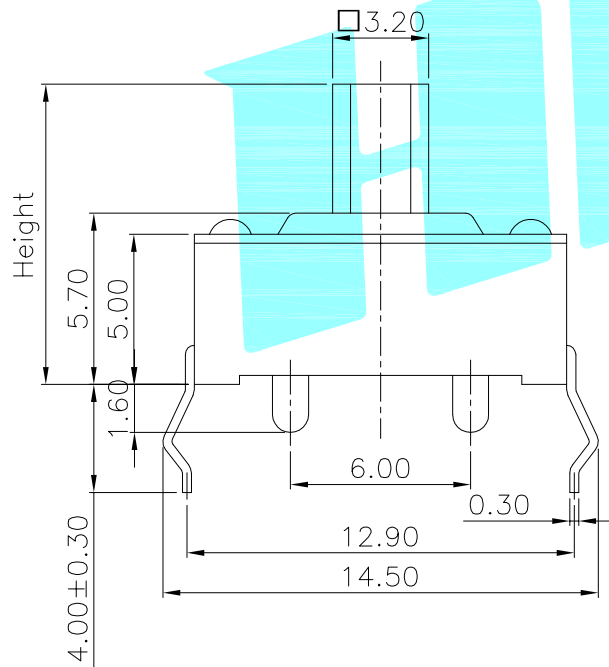
**ROHS**



Circuit Diagram (TOP VIEW)



PCB Layout (Pattern Side)



NOTE:  
 Operating Force:  
 4-direction  $250 \pm 70$  gf  
 center push  $250 \pm 70$  gf  
 Travel: 4-direction  $5^\circ \pm 2^\circ$   
 center push  $0.25 \pm 0.1$ mm

PART NO	Height
K1-1535DA-01	7
K1-1535DA-02	8
K1-1535DA-03	9
K1-1535DA-04	10
K1-1535DA-05	11

ITEM	PART NAME	TER'NO.	QTY.	MATERIAL	FINISHING	REMARK
⑦	Fixed cover	—	1	PA46	Black	Circular
⑥	Contact	—	5	SUS	—	Circular
⑤	Terminal	—	6	Brass(0.3t)	Plating silver	—
④	Base	—	1	PA46	Black	—
③	Cover	—	1	SUS	White	—
②	Axle sleeve	—	1	PA46	Black	—
①	KNOB	—	1	PA46	Black	—

APPROVALS		DATE		HROELECTRONICS CO.,LTD		
DRAWN	J.X.Zhang	2013/7/31		TITLE:	MULTIFUNCTIONAL SWITCHS	
CHECKED				PART NO.	K1-1535DA-□□	
APPROVALS				TOLERANCES ARE	ANGLE	UNIT: mm SCALE: 1:1 PROJ:
		30~以上	±0.30	±2'	DRAWING NO.	SHEET 1 OF 1
		10~30	±0.20			
		5~10	±0.15			
		~ 5	±0.10			

ECN NO.	REV.	DATE.	DESCRIPTION.	CHANGE.	CHECK.	APPRO.
	A		NEW			

## X-ON Electronics

Largest Supplier of Electrical and Electronic Components

*Click to view similar products for [Multi-Directional Switches](#) category:*

*Click to view products by [HRO parts](#) manufacturer:*

Other Similar products are found below :

[MJTP1109AL](#) [RA3CSH6A](#) [APTCFVTR](#) [T5-NH1118](#) [RKJXW1014002](#) [RKJXW2014001](#) [T4-0183](#) [T4-TCN3332](#) [T4-TCK3312](#) [TSWA-3N-CUP2-LFS](#) [TSW A-3N-CUP-LFS](#) [3J2015-200](#) [T2-0018](#) [T5-CK2212](#) [3J2015-200N](#) [CS41001E](#) [T4-0010](#) [2200-000301](#) [T4-CN211N](#)  
[RKJXK1210002](#) [RKJXK122000D](#) [RKJXK122400Y](#) [RKJXL100401V](#) [RKJXM1015004](#) [RKJXS1004001](#) [RKJXT1F42001](#) [RKJXV1220001](#)  
[RKJXV1224005](#) [RKJXY1000006](#) [RKJXY100000A](#) [SKQUDBE010](#) [SKRHAAE010](#) [SKRHABE010](#) [SKRHACE010](#) [SKRHADE010](#)  
[SLLB120100](#) [SLLB120200](#) [SLLB120300](#) [SLLB510100](#) [SLLB510200](#) [SLLB520100](#) [SRBE110301](#) [SRBE210200](#) [AMPTFP2VTR](#) [D16202](#)  
[PHAP4383V](#) [3302](#) [QS1 KQS1 BK S C](#) [QS2 KQS1 BK N C](#) [QS2 KQS1 BK S C](#)