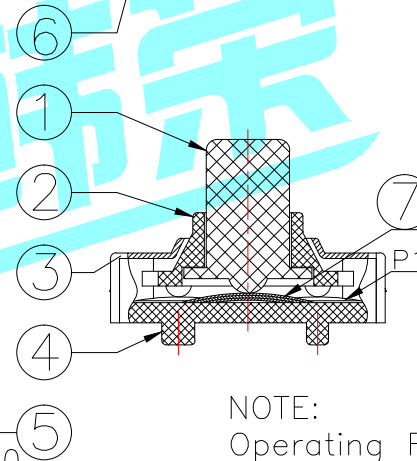
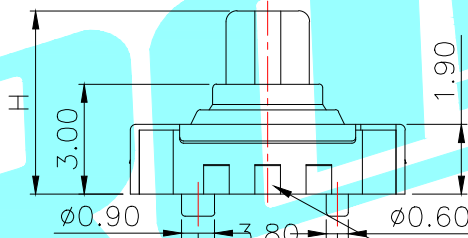
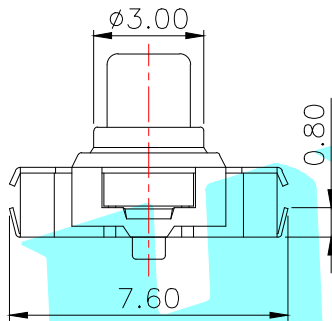


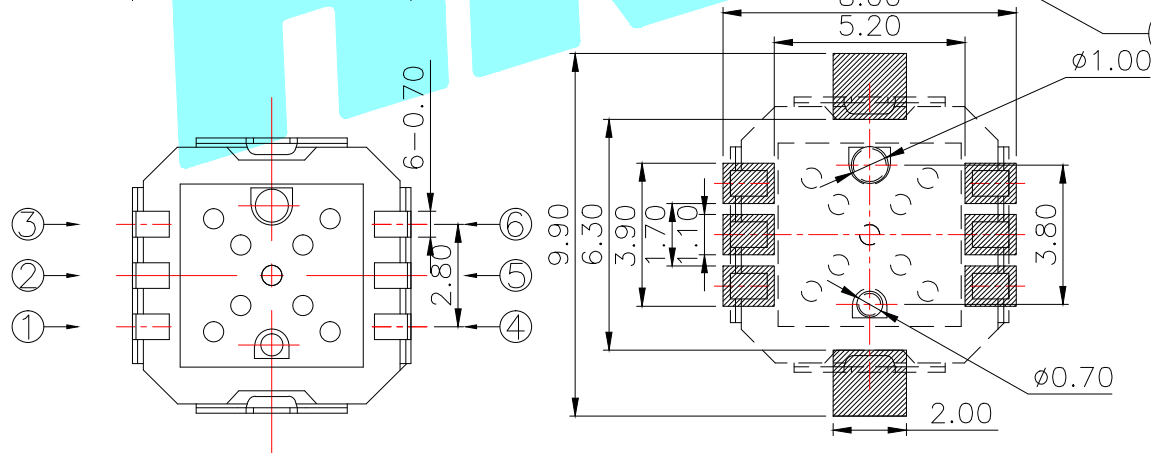
Terminal Direction	①	②	③	④	⑤	⑥
↓		○			○	
↖	○				○	
↗				○	○	
↙			○		○	
↘					○	○

Circuit Diagram



PART NO.	H
K1-5202UA-01	5.0
K1-5202UA-02	6.0

NOTE:
 Operating Force:
 lever portion: 170 ± 35 gf
 Push portion: 250gf 350gf 450gf



PCB Layout(Pattern Side)

ITEM	PART NAME	TER'NO.	QTY.	MATERIAL	FINISHING	REMARK
⑦	Mylar	—	1	Natural	—	—
⑥	Contact 1	—	1	F.Ag/SUS	—	—
⑤	Terminal	—	6	Brass(0.15t)	Plating silver	—
④	Base	—	1	LCP	Black	—
③	Cover	—	1	SUS	—	—
②	Axle sleeve	—	1	LCP	Black	—
①	Keystoke	—	1	PA46	Black	—

APPROVALS		DATE		HRO 翰榮® ELECTRONICS CO.,LTD		
DRAWN	J.X.Zhang	2013/7/23		TITLE:	MULTIFUNCTIONAL SWITCHES	
CHECKED				PART NO.	K1-5202UA-□□	
APPROVALS				TOLERANCES ARE	ANGLE	UNIT: mm SCALE: 1:1 PROJ:
		30~以上	±0.30	±2'	DRAWING NO.	SHEET 1 OF 1
		10~30	±0.20			
		5~10	±0.15			
		~ 5	±0.10			

ECN NO.	REV.	DATE.	DESCRIPTION.	CHANGE.	CHECK.	APPRO.
	A		NEW			

X-ON Electronics

Largest Supplier of Electrical and Electronic Components

Click to view similar products for [Multi-Directional Switches](#) category:

Click to view products by [HRO parts](#) manufacturer:

Other Similar products are found below :

[MJTP1109AL](#) [RA3CSH6A](#) [APTCFVTR](#) [T5-NH1118](#) [RKJXW1014002](#) [RKJXW2014001](#) [T4-0183](#) [T4-TCN3332](#) [T4-TCK3312](#) [TSWA-3N-CUP2-LFS](#) [TSW A-3N-CUP-LFS](#) [3J2115-200N](#) [3J2015-200](#) [T2-0018](#) [T5-CK2212](#) [3J2015-200N](#) [CS41001E](#) [T4-0010](#) [2200-000301](#) [T4-CN211N](#) [RKJXK1210002](#) [RKJXK122000D](#) [RKJXK122400Y](#) [RKJXL100401V](#) [RKJXM1015004](#) [RKJXS1004001](#) [RKJXT1F42001](#) [RKJXV1220001](#) [RKJXV1224005](#) [RKJXY1000006](#) [RKJXY100000A](#) [SKQUDBE010](#) [SKRHAAE010](#) [SKRHABE010](#) [SKRHACE010](#) [SKRHADE010](#) [SLLB120100](#) [SLLB120200](#) [SLLB120300](#) [SLLB510100](#) [SLLB510200](#) [SLLB520100](#) [SRBE110301](#) [SRBE210200](#) [AMPTFP2VTR](#) [D16202](#) [PHAP4383V](#) [3302](#) [QS1 KQS1 BK S C](#) [QS2 KQS1 BK N C](#)