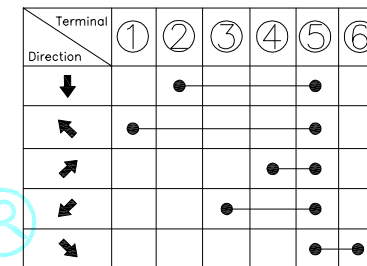
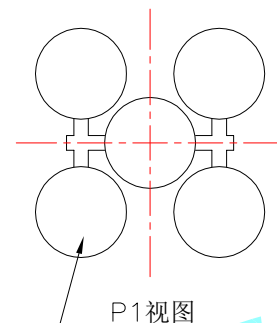
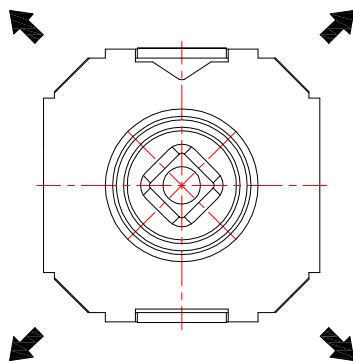
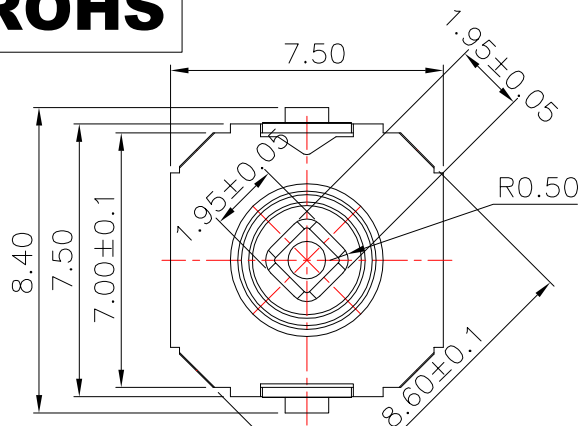
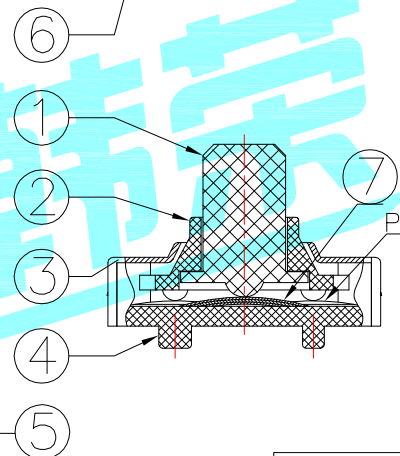
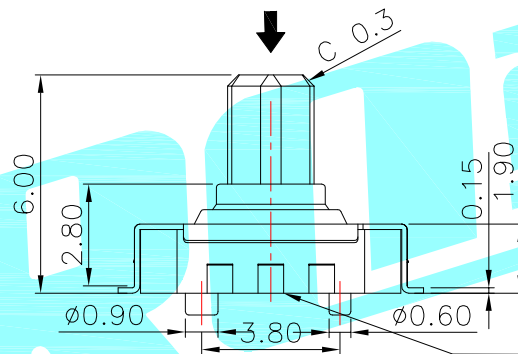
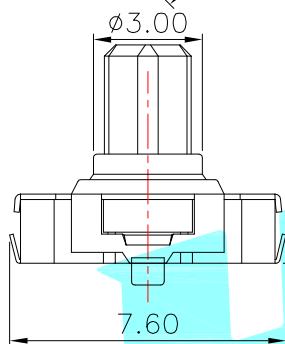


**ROHS**

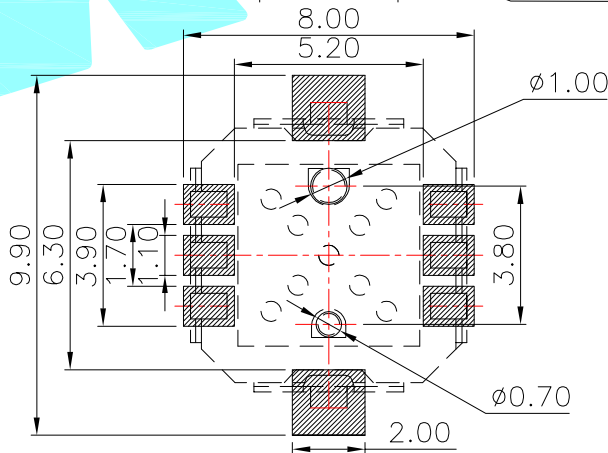
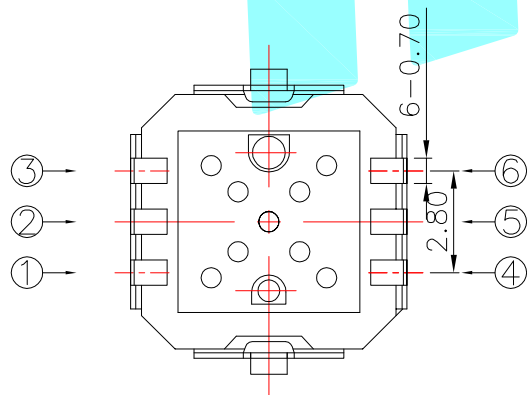


Circuit Diagram



NOTE:  
 Operating Force:  
 lever portion: 170 ± 35 gf  
 Push portion: 350gf or 250gf  
 Travel: 4-direction 5°±2°  
 center push 0.20±0.1mm

Push portion	PART NO
350gf	K1-5203UA-02
250gf	K1-5203UA-02A



PCB Layout (Pattern Side)

⑦	Mylar	—	1	Natural	—	—
⑥	Contact 1	—	—	F.Ag/SUS	—	—
⑤	Terminal	—	6	Phosphor bronze	Plating silver	—
④	Base	—	1	LCP	Black	—
③	Cover	—	1	SUS	—	—
②	Axle sleeve	—	1	PPA	Black	—
①	Keystoke	—	1	PPA	Black	—
ITEM	PART NAME	TER'NO.	QTY.	MATERIAL	FINISHING	REMARK

APPROVALS		DATE		HROELECTRONICS CO.,LTD		
DRAWN	J.X.Zhang	2020.11.9		TITLE:	MULTIFUNCTIONAL SWITCHES	
CHECKED				PART NO.		
APPROVALS						
TOLERANCES ARE		30~以上	±0.30	ANGLE	UNIT: mm	SCALE: 1:1
		10~30	±0.20			
		5~10	±0.15			
		~ 5	±0.10			
				±2'	DRAWING NO.	PROJ:
SHEET		1 OF 1				

ECN NO.	REV.	DATE.	DESCRIPTION.	CHANGE.	CHECK.	APPRO.
	A		NEW			

## X-ON Electronics

Largest Supplier of Electrical and Electronic Components

*Click to view similar products for [Multi-Directional Switches](#) category:*

*Click to view products by [HRO parts manufacturer](#):*

Other Similar products are found below :

[RA3CSH6A](#) [APTCFVTR](#) [RKJXW1014002](#) [RKJXW2014001](#) [TSWA-3N-CUP2-LFS](#) [TSW A-3N-CUP-LFS](#) [3J2115-200N](#) [3J2015-200](#)  
[3J2015-200N](#) [10\\*10\\*9-6P WX](#) [7\\*7\\*5-6P-L WX](#) [7\\*7\\*6-6P-L WX](#) [7\\*7\\*6-6P WX](#) [7\\*7\\*5-6P WX](#) [RKJXV122400R](#) [K1-5203UA-06A](#)  
[RKJXV122400D](#) [SKQUBAE010](#) [CS41001E](#) [T4-0010](#) [2200-000301](#) [T4-CN211N](#) [T4-CD2212](#) [RKJXK1210002](#) [RKJXK122000D](#)  
[RKJXK122400Y](#) [RKJXL100401V](#) [RKJXM1015004](#) [RKJXM2E13001](#) [RKJXM2E13004](#) [RKJXS1004001](#) [RKJXT1F42001](#) [RKJXV1220001](#)  
[RKJXV1224005](#) [RKJXY1000006](#) [SKQUDBE010](#) [SKRHAAE010](#) [SKRHABE010](#) [SKRHACE010](#) [SKRHADE010](#) [SLLB120100](#)  
[SLLB120200](#) [SLLB120300](#) [SLLB510100](#) [SLLB510200](#) [SLLB520100](#) [SLLB520200](#) [SRBE110301](#) [SRBE210200](#) [AMPTFP2VTR](#)