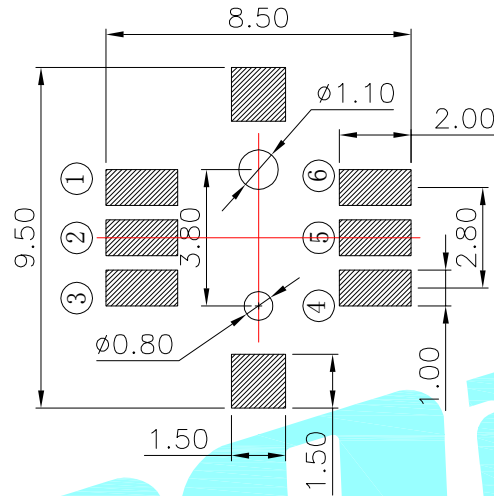
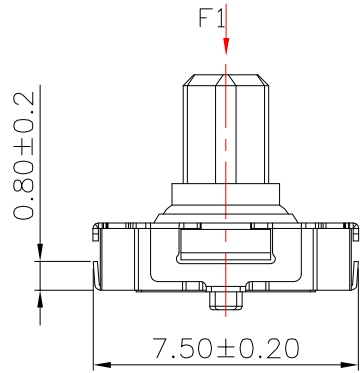
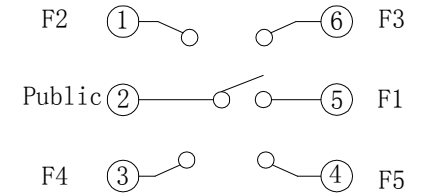


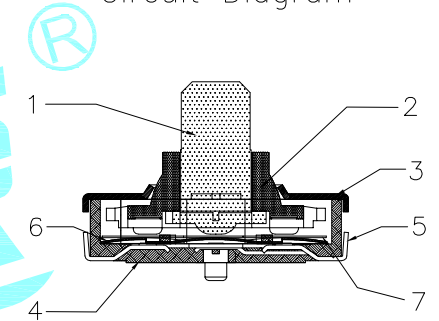
**ROHS**



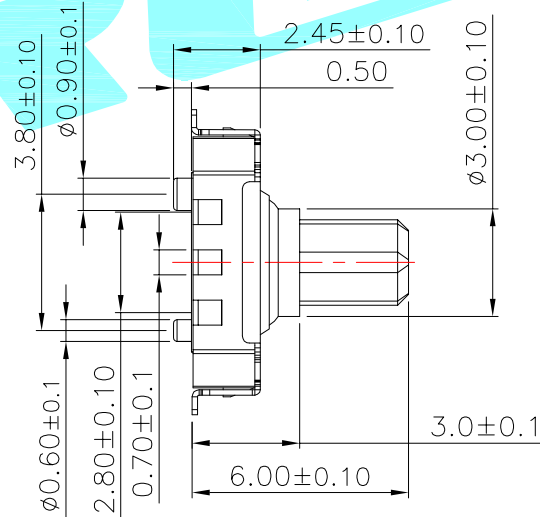
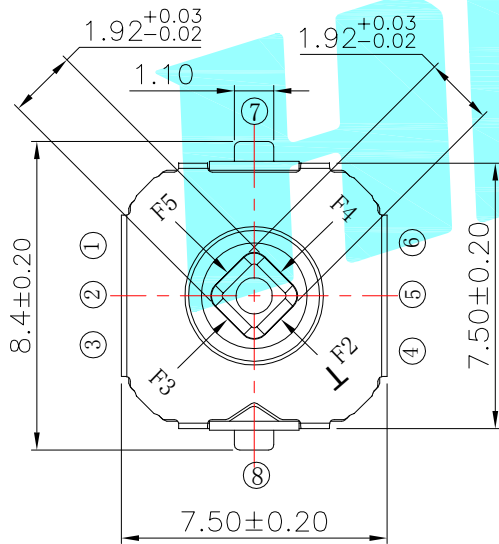
PCB Layout(Pattern Side)



Circuit Diagram



NOTE:  
 Rating: DC12V 50mA  
 Operating Force:  
 lever portion: 130±50gf  
 Push portion: 200±50gf  
 Travel: 4-direction 6°±2°  
 center push 0.15±0.1mm



| ITEM | PART NAME   | TER'NO. | QTY. | MATERIAL           | FINISHING      | REMARK |
|------|-------------|---------|------|--------------------|----------------|--------|
| ⑦    | Mylar       | —       | 1    | PTFE               | —              | —      |
| ⑥    | Contact     | —       | 2    | F.Ag/SUS           | —              | —      |
| ⑤    | Terminal    | —       | 6    | Phosphorous copper | Plating silver | —      |
| ④    | Base        | —       | 1    | LCP                | Black          | —      |
| ③    | Cover       | —       | 1    | SUS                | Plating silver | —      |
| ②    | Axle sleeve | —       | 1    | PA6T               | Black          | —      |
| ①    | Keystoke    | —       | 1    | PA6T               | Black          | —      |

| APPROVALS      |        | DATE      |              | HRC 韩荣®<br>ELECTRONICS CO.,LTD |                   |        |
|----------------|--------|-----------|--------------|--------------------------------|-------------------|--------|
| DRAWN          | LIUCAN | 2022.8.10 |              | TITLE:                         | 1.92*1.92MM按柄轻力度款 |        |
| CHECKED        |        |           |              | PART NO.                       | K1-5203UA-03      |        |
| APPROVALS      |        |           |              | UNIT: mm                       | SCALE: 1:1        | PROJ:  |
| TOLERANCES ARE |        | 30~以上     | ±0.30        | ANGLE                          |                   |        |
|                |        | 10~30     | ±0.20        |                                |                   |        |
|                |        | 5~10      | ±0.15        |                                |                   |        |
|                |        | ~ 5       | ±0.10        |                                |                   |        |
| ECN NO.        | REV.   | DATE.     | DESCRIPTION. | CHANGE.                        | CHECK.            | APPRO. |

| ECN NO. | REV. | DATE. | DESCRIPTION. | CHANGE. | CHECK. | APPRO. |
|---------|------|-------|--------------|---------|--------|--------|
| —       | A    | —     | NEW          | —       | —      | —      |

## X-ON Electronics

Largest Supplier of Electrical and Electronic Components

*Click to view similar products for [Multi-Directional Switches](#) category:*

*Click to view products by [HRO parts](#) manufacturer:*

Other Similar products are found below :

[RA3CSH6A](#) [APTCFVTR](#) [RKJXW1014002](#) [RKJXW2014001](#) [TSWA-3N-CUP2-LFS](#) [TSW A-3N-CUP-LFS](#) [3J2115-200N](#) [3J2015-200](#)  
[3J2015-200N](#) [10\\*10\\*9-6P WX](#) [7\\*7\\*5-6P-L WX](#) [7\\*7\\*6-6P-L WX](#) [7\\*7\\*6-6P WX](#) [7\\*7\\*5-6P WX](#) [RKJXV122400R](#) [K1-5203UA-06A](#)  
[RKJXV122400D](#) [SKQUBAE010](#) [CS41001E](#) [T4-0010](#) [2200-000301](#) [T4-CN211N](#) [T4-CD2212](#) [RKJXK1210002](#) [RKJXK122000D](#)  
[RKJXK122400Y](#) [RKJXL100401V](#) [RKJXM1015004](#) [RKJXM2E13001](#) [RKJXM2E13004](#) [RKJXS1004001](#) [RKJXT1F42001](#) [RKJXV1220001](#)  
[RKJXV1224005](#) [RKJXY1000006](#) [SKQUDBE010](#) [SKRHAAE010](#) [SKRHABE010](#) [SKRHACE010](#) [SKRHADE010](#) [SLLB120100](#)  
[SLLB120200](#) [SLLB120300](#) [SLLB510100](#) [SLLB510200](#) [SLLB520100](#) [SLLB520200](#) [SRBE110301](#) [SRBE210200](#) [AMPTFP2VTR](#)