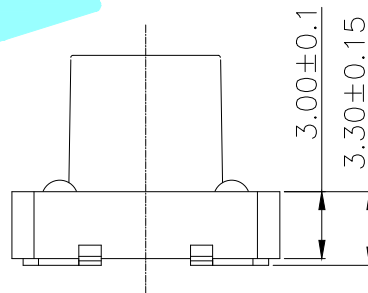
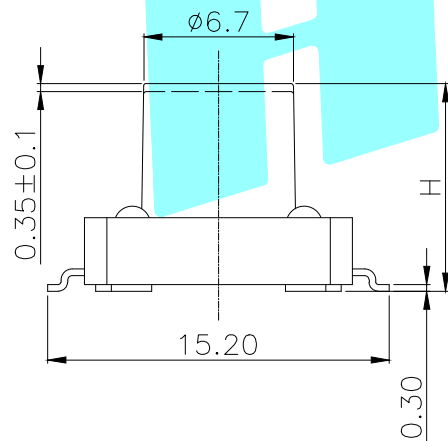


Circuit Diagram

PCB Layout(Pattern side)



| NO.1 | | | |
|---------|------|---------|------|
| PART NO | H | PART NO | H |
| A | 4.3 | O | 11 |
| B | 4.5 | P | 11.5 |
| C | 5 | Q | 12 |
| D | 5.5 | R | 12.5 |
| E | 6 | S | 13 |
| F | 6.5 | T | 13.5 |
| G | 7 | U | 14 |
| H | 7.5 | V | 15 |
| I | 8 | W | 16 |
| J | 8.5 | X | 17 |
| K | 9 | Y | 18 |
| L | 9.5 | Z | 19 |
| M | 10 | 1 | 15.5 |
| N | 10.5 | | |

| NO.2 | |
|---------|--------|
| PART NO | vigor |
| 1 | 90±30 |
| 2 | 130±30 |
| 3 | 180±30 |
| 4 | 250±30 |
| 5 | 350±50 |

| NO.3 | |
|---------|--------------|
| PART NO | MATERIAL/QTY |
| S | SUS/1PC |
| C | C5210/1PC |
| D | SUS/2PCS |
| F | C5210/2PCS |

| NO.4-NO.5 | |
|-----------|---------------|
| PART NO | NOTE |
| 01~99 | SERIAL NUMBER |

| ⑤ | Terminal | — | 4 | Brass(0.3t) | Plating silver | — |
|------|-----------|---------|------|-------------|----------------|---------|
| ④ | Contact | — | 1 | F.Ag/C5210 | — | — |
| ③ | Base | — | 1 | Nylon | Black | UL94V-0 |
| ② | Cover | — | 1 | SPCC | Plating Sn | — |
| ① | Keystoke | — | 1 | Nylon | Black | UL94V-0 |
| ITEM | PART NAME | TER'NO. | QTY. | MATERIAL | FINISHING | REMARK |

| APPROVALS | | DATE | ELECTRONICS CO.,LTD | | | |
|----------------|-------------|----------|-------------------------|-------------------|--------------|--|
| DRAWN | J.X.Zhang | 2016/8/1 | TITLE: | TACT SWITCHS | | |
| CHECKED | | | PART NO. | K2-1103SP-□□□W-□□ | | |
| APPROVALS | | | UNIT: mm | SCALE: 1:1 | PROJ: | |
| TOLERANCES ARE | 30~以上 ±0.30 | ANGLE | DRAWING NO. | | SHEET 1 OF 1 | |
| | 10~30 ±0.20 | | | | | |
| | 5~10 ±0.15 | ±2' | | | | |
| | ~ 5 ±0.10 | | | | | |

| ECN NO. | REV. | DATE. | DESCRIPTION. | CHANGE. | CHECK. | APPRO. |
|---------|------|-------|--------------|---------|--------|--------|
| | A | | NEW | | | |

X-ON Electronics

Largest Supplier of Electrical and Electronic Components

Click to view similar products for [Tactile Switches](#) category:

Click to view products by [HRO parts](#) manufacturer:

Other Similar products are found below :

[5GTH92001](#) [5GTH9202242](#) [6407-250V-25273P](#) [ADTSA62NV](#) [ADTSA62RV](#) [B3F-3123](#) [1977177-8](#) [1977266-1](#) [ADTSA63NV](#)
[ADTSM21NSVTR](#) [ADTSM25RVTR](#) [ADTSM32NVTR](#) [ADTSMW64RV](#) [FSMRA4JHA04](#) [GS4.70F300QP](#) [KSC241J SP DELTA LFS](#)
[3FTL600RAS](#) [3FTL640RAS](#) [Y96K132V0FPLFS](#) [5GTH9658222](#) [ADTSM31NVTR](#) [EVQ-P1D05K](#) [2-1977120-7](#) [TSJW-5.2-260-TR](#)
[KMT011MNGJLHS](#) [ADTSG648NV](#) [ADTSM62KSVTR](#) [ADTSM648NV](#) [95C06E3RAT](#) [5GTH96561](#) [3ATH9Q](#) [FSM4JSMLXTR](#)
[FSM4JSMXL](#) [FSMRA8JHA04](#) [HARS0073](#) [Y97HS12A5RAFP](#) [Y97BT23B2HAFP](#) [Y33R411N9FPLFT](#) [Y31C01402FPLFS](#)
[PTS645SK50SMTR92](#) [ADTSM32NVB](#) [KMS233GPWTLFG](#) [Y78B42324FP](#) [Y33R21116FPLFT](#) [Y31B43131FPLFG](#) [Y78B64124FP](#)
[Y71243251FP](#) [Y33R31119FPLFT](#) [Y97HS12A5TAFP](#) [PTS638SK25SMTR2LFS](#)