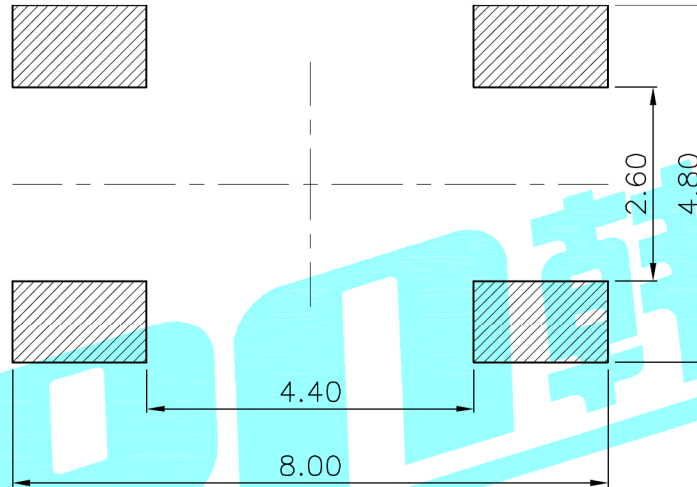
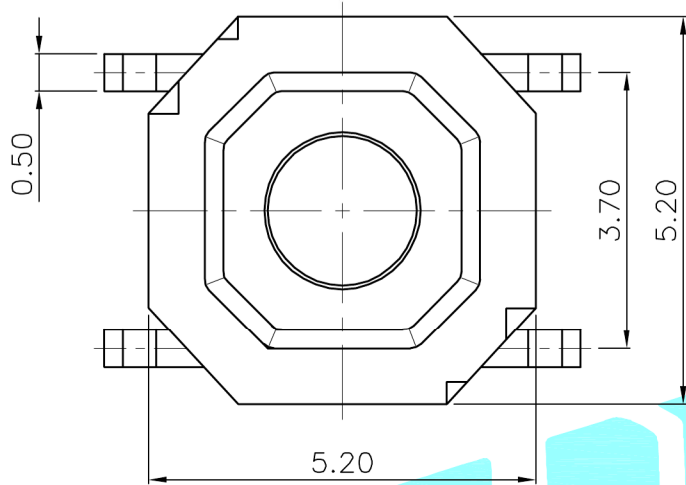
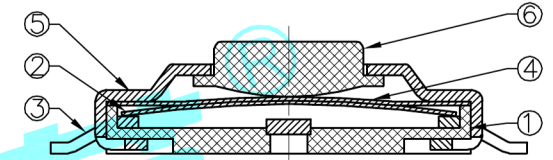


Typical Specifications :  
 1. Rating : DC 12V 50mA  
 2. Life:100,000 Cycles Min.



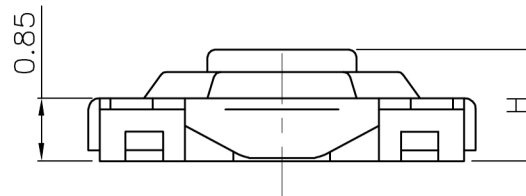
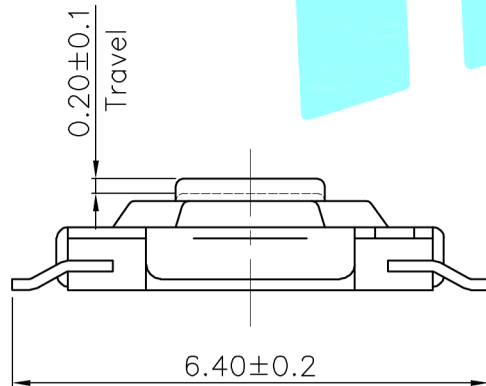
PCB Layout(Pattern side)



| NO.1    |      |
|---------|------|
| PART NO | H    |
| A       | 1.50 |
| B       | 1.60 |
| C       | 1.70 |
| D       | 2.00 |
| F       | 3.00 |
| G       | 4.30 |

| NO.2    |        |
|---------|--------|
| PART NO | vigor  |
| 1       | 90±30  |
| 2       | 130±30 |
| 3       | 180±30 |
| 4       | 250±30 |
| 5       | 350±50 |

| NO.3-NO.4 |               |
|-----------|---------------|
| PART NO   | NOTE          |
| 01~99     | SERIAL NUMBER |



| ⑥    | Knob       | —       | 1    | Brass           | Yellow         | —      |
|------|------------|---------|------|-----------------|----------------|--------|
| ⑤    | Cover      | —       | 1    | SUS             | Natural        | —      |
| ④    | Dust Cover | —       | 1    | Kapton Film     | Yellow         | —      |
| ③    | Terminal   | —       | 4    | Phosphor Bronze | Plating silver | —      |
| ②    | Contact    | —       | 1    | F.Ag/SUS        | Natural        | —      |
| ①    | Base       | —       | 1    | Nylon           | Black          | —      |
| ITEM | PART NAME  | TER'NO. | QTY. | MATERIAL        | FINISHING      | REMARK |

| APPROVALS |           | DATE      | HRO 華榮<br>ELECTRONICS CO.,LTD |   |        |          |             |              |
|-----------|-----------|-----------|-------------------------------|---|--------|----------|-------------|--------------|
| DRAWN     | J.X.Zhang | 2013/8/29 | TITLE:                        | TACT SWITCHS  |        |          |             |              |
| CHECKED   |           |           | PART NO.                      | K2-1187SQ-□□SW-□□   |        |          |             |              |
| APPROVALS |           |           | TOLERANCES ARE                | 30~以下: ±0.30<br>10~30: ±0.20<br>5~10: ±0.15<br>~ 5: ±0.10 | ANGLE  | UNIT: mm | SCALE: 1:1  | PROJ:        |
| ECN NO.   | REV.      | DATE.     | DESCRIPTION.                  | CHANGE.   | CHECK. | APPRO.   | DRAWING NO. | SHEET 1 OF 1 |

|         |      |       |              |         |        |        |
|---------|------|-------|--------------|---------|--------|--------|
| —       | A    | —     | NEW          | —       | —      | —      |
| ECN NO. | REV. | DATE. | DESCRIPTION. | CHANGE. | CHECK. | APPRO. |

## X-ON Electronics

Largest Supplier of Electrical and Electronic Components

*Click to view similar products for [Tactile Switches](#) category:*

*Click to view products by [HRO parts](#) manufacturer:*

Other Similar products are found below :

[5GTH92001](#) [5GTH9202242](#) [1-1977120-4](#) [ADTSA62NV](#) [ADTSA62RV](#) [B3F-3123](#) [1977177-8](#) [1977266-1](#) [ADTSA63NV](#) [ADTSM21NSVTR](#)  
[ADTSM25RVTR](#) [ADTSM32NVTR](#) [ADTSMW64RV](#) [FSMRA4JHA04](#) [GS4.70F300QP](#) [3ESH9R](#) [KSC241J SP DELTA LFS](#) [3FTL600RAS](#)  
[3FTL640RAS](#) [Y96K132V0FPLFS](#) [5GSH92001](#) [5GTH9658222](#) [ADTSM31NVTR](#) [2-1977120-7](#) [TSJW-5.2-260-TR](#) [KMT011MNGJLHS](#)  
[ADTSG648NV](#) [ADTSM62KSVTR](#) [ADTSM648NV](#) [95C06E3RAT](#) [3ATH9Q](#) [FSM4JSMLXTR](#) [FSM4JSMXL](#) [FSMRA8JHA04](#) [HARS0073](#)  
[Y97HS12A5RAFP](#) [Y97BT23B2HAFP](#) [Y33R411N9FPLFT](#) [Y31C01402FPLFS](#) [PTS645SK50SMTR92](#) [ADTSM32NVB](#) [KMS233GPWTLFG](#)  
[Y78B42324FP](#) [Y33R21116FPLFT](#) [Y31B43131FPLFG](#) [Y78B64124FP](#) [Y71243251FP](#) [Y33R31119FPLFT](#) [Y97HS12A5TAFP](#)  
[PTS638SK25SMTR2LFS](#)