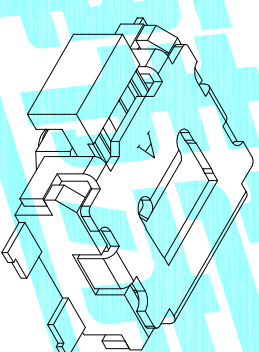
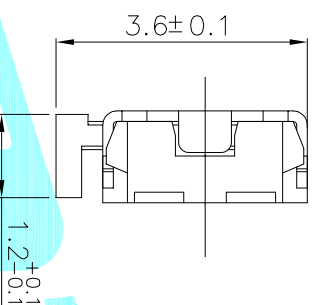
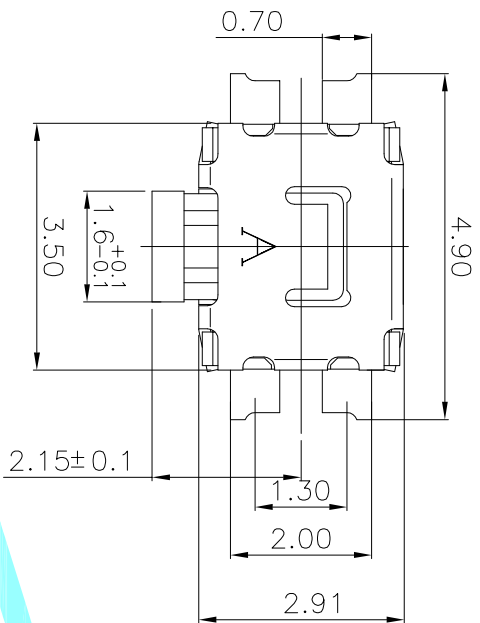


Typical Specifications
 1. Rating : DC 12V 50mA
 2. Contact Resistance: $\leq 100m\Omega$
 3. Travel: $0.2 \pm 0.05mm$
 4. Life : 100,000 Cycles

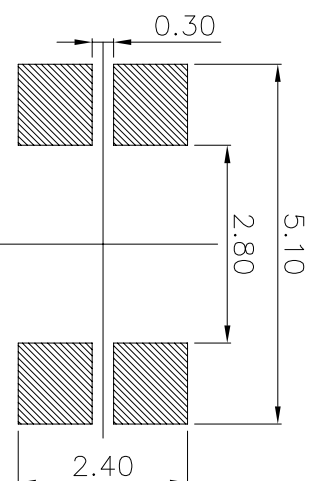
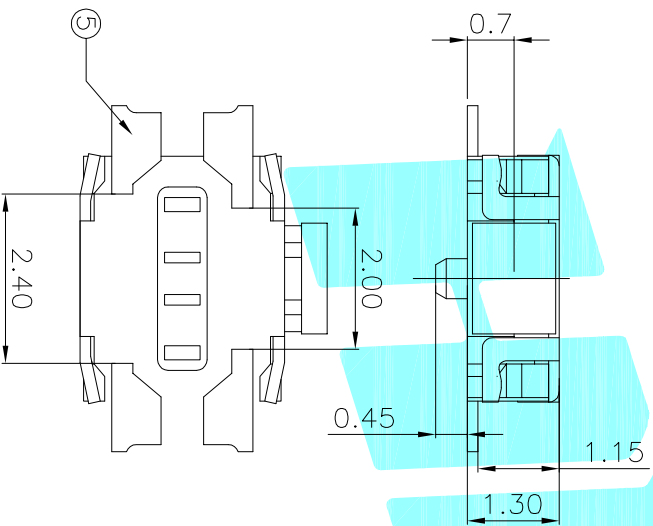
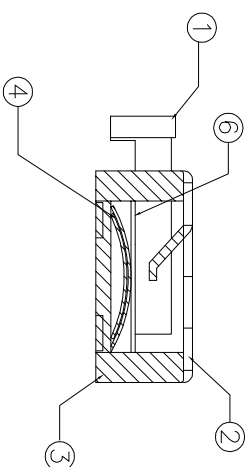
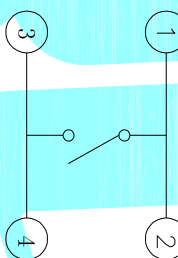


NO.1	
PART NO	Material/Qty
3	180±30
4	250±30

NO.2	
PART NO	MATERIAL/QTY
D	SUS/2PC

NO.3-NO.4	
PART NO	NOTE
01~99	SERIAL NUMBER

Circuit Diagram



PCB Layout(Pattern side)

ITEM	PART NAME	TER'NO.	QTY.	MATERIAL	FINISHING	REMARK
⑥	Dust cover	---	2	---	Yellow	---
⑤	Terminal	---	4	Kapton film	Plating silver	---
④	Contact	---	2	SUS	Plating silver	---
③	Base	---	1	LCP	White	---
②	Cover	---	1	Brass	Plating silver	---
①	Knob	---	1	PA46	Black	---

APPROVALS	DATE	TITLE:
DRAWN J.X.Zhong	2018/8/1	TACT SWITCHS

ECN NO.	REV.	DATE.	DESCRIPTION.	CHANGE.	CHECK.	APPRO.
---	A	---	NEW	---	---	---

APPROVALS	DATE	TITLE:
CHECKED	---	TACT SWITCHS
APPROVALS	---	---

APPROVALS	DATE	TITLE:
DRAWN J.X.Zhong	2018/8/1	TACT SWITCHS

APPROVALS	DATE	TITLE:
CHECKED	---	TACT SWITCHS

APPROVALS	DATE	TITLE:
DRAWN J.X.Zhong	2018/8/1	TACT SWITCHS

APPROVALS	DATE	TITLE:
CHECKED	---	TACT SWITCHS

APPROVALS	DATE	TITLE:
DRAWN J.X.Zhong	2018/8/1	TACT SWITCHS

APPROVALS	DATE	TITLE:
CHECKED	---	TACT SWITCHS

APPROVALS	DATE	TITLE:
DRAWN J.X.Zhong	2018/8/1	TACT SWITCHS

APPROVALS	DATE	TITLE:
CHECKED	---	TACT SWITCHS

APPROVALS	DATE	TITLE:
DRAWN J.X.Zhong	2018/8/1	TACT SWITCHS

APPROVALS	DATE	TITLE:
CHECKED	---	TACT SWITCHS

APPROVALS	DATE	TITLE:
DRAWN J.X.Zhong	2018/8/1	TACT SWITCHS

APPROVALS	DATE	TITLE:
CHECKED	---	TACT SWITCHS

APPROVALS	DATE	TITLE:
DRAWN J.X.Zhong	2018/8/1	TACT SWITCHS

APPROVALS	DATE	TITLE:
CHECKED	---	TACT SWITCHS

APPROVALS	DATE	TITLE:
DRAWN J.X.Zhong	2018/8/1	TACT SWITCHS

APPROVALS	DATE	TITLE:
CHECKED	---	TACT SWITCHS

APPROVALS	DATE	TITLE:
DRAWN J.X.Zhong	2018/8/1	TACT SWITCHS

APPROVALS	DATE	TITLE:
CHECKED	---	TACT SWITCHS

APPROVALS	DATE	TITLE:
DRAWN J.X.Zhong	2018/8/1	TACT SWITCHS

APPROVALS	DATE	TITLE:
CHECKED	---	TACT SWITCHS

APPROVALS	DATE	TITLE:
DRAWN J.X.Zhong	2018/8/1	TACT SWITCHS

APPROVALS	DATE	TITLE:
CHECKED	---	TACT SWITCHS

APPROVALS	DATE	TITLE:
DRAWN J.X.Zhong	2018/8/1	TACT SWITCHS

APPROVALS	DATE	TITLE:
CHECKED	---	TACT SWITCHS

APPROVALS	DATE	TITLE:
DRAWN J.X.Zhong	2018/8/1	TACT SWITCHS

APPROVALS	DATE	TITLE:
CHECKED	---	TACT SWITCHS

APPROVALS	DATE	TITLE:
DRAWN J.X.Zhong	2018/8/1	TACT SWITCHS

APPROVALS	DATE	TITLE:
CHECKED	---	TACT SWITCHS

APPROVALS	DATE	TITLE:
DRAWN J.X.Zhong	2018/8/1	TACT SWITCHS

APPROVALS	DATE	TITLE:
CHECKED	---	TACT SWITCHS

APPROVALS	DATE	TITLE:
DRAWN J.X.Zhong	2018/8/1	TACT SWITCHS

APPROVALS	DATE	TITLE:
CHECKED	---	TACT SWITCHS

APPROVALS	DATE	TITLE:
DRAWN J.X.Zhong	2018/8/1	TACT SWITCHS

APPROVALS	DATE	TITLE:
CHECKED	---	TACT SWITCHS

APPROVALS	DATE	TITLE:
DRAWN J.X.Zhong	2018/8/1	TACT SWITCHS

APPROVALS	DATE	TITLE:
CHECKED	---	TACT SWITCHS

APPROVALS	DATE	TITLE:
DRAWN J.X.Zhong	2018/8/1	TACT SWITCHS

APPROVALS	DATE	TITLE:
CHECKED	---	TACT SWITCHS

APPROVALS	DATE	TITLE:
DRAWN J.X.Zhong	2018/8/1	TACT SWITCHS

APPROVALS	DATE	TITLE:
CHECKED	---	TACT SWITCHS

APPROVALS	DATE	TITLE:
DRAWN J.X.Zhong	2018/8/1	TACT SWITCHS

APPROVALS	DATE	TITLE:
CHECKED	---	TACT SWITCHS

APPROVALS	DATE	TITLE:
DRAWN J.X.Zhong	2018/8/1	TACT SWITCHS

APPROVALS	DATE	TITLE:
CHECKED	---	TACT SWITCHS

APPROVALS	DATE	TITLE:
DRAWN J.X.Zhong	2018/8/1	TACT SWITCHS

APPROVALS	DATE	TITLE:
CHECKED	---	TACT SWITCHS

APPROVALS	DATE	TITLE:
DRAWN J.X.Zhong	2018/8/1	TACT SWITCHS

APPROVALS	DATE	TITLE:
CHECKED	---	TACT SWITCHS

APPROVALS	DATE	TITLE:
DRAWN J.X.Zhong	2018/8/1	TACT SWITCHS

APPROVALS	DATE	TITLE:
CHECKED	---	TACT SWITCHS

APPROVALS	DATE	TITLE:
DRAWN J.X.Zhong	2018/8/1	TACT SWITCHS

APPROVALS	DATE	TITLE:
CHECKED	---	TACT SWITCHS

APPROVALS	DATE	TITLE:
DRAWN J.X.Zhong	2018/8/1	TACT SWITCHS

APPROVALS	DATE	TITLE:
CHECKED	---	TACT SWITCHS

APPROVALS	DATE	TITLE:
DRAWN J.X.Zhong	2018/8/1	TACT SWITCHS

APPROVALS	DATE	TITLE:
CHECKED	---	TACT SWITCHS

APPROVALS	DATE	TITLE:
DRAWN J.X.Zhong	2018/8/1	TACT SWITCHS

APPROVALS	DATE	TITLE:
CHECKED	---	TACT SWITCHS

APPROVALS	DATE	TITLE:
DRAWN J.X.Zhong	2018/8/1	TACT SWITCHS

APPROVALS	DATE	TITLE:
CHECKED	---	TACT SWITCHS

APPROVALS	DATE	TITLE:
DRAWN J.X.Zhong	2018/8/1	TACT SWITCHS

APPROVALS	DATE	TITLE:
CHECKED	---	TACT SWITCHS

APPROVALS	DATE	TITLE:
DRAWN J.X.Zhong	2018/8/1	TACT SWITCHS

APPROVALS	DATE	TITLE:
CHECKED	---	TACT SWITCHS

APPROVALS	DATE	TITLE:
DRAWN J.X.Zhong	2018/8/1	TACT SWITCHS

APPROVALS	DATE	TITLE:
CHECKED	---	TACT SWITCHS

APPROVALS	DATE	TITLE:
DRAWN J.X.Zhong	2018/8/1	TACT SWITCHS

APPROVALS	DATE	TITLE:
CHECKED	---	TACT SWITCHS

APPROVALS	DATE	TITLE:
DRAWN J.X.Zhong	2018/8/1	TACT SWITCHS

APPROVALS	DATE	TITLE:
CHECKED	---	TACT SWITCHS

APPROVALS	DATE	TITLE:
DRAWN J.X.Zhong	2018/8/1	TACT SWITCHS

APPROVALS	DATE	TITLE:
CHECKED	---	TACT SWITCHS

APPROVALS	DATE	TITLE:
DRAWN J.X.Zhong	2018/8/1	TACT SWITCHS

APPROVALS	DATE	TITLE:
CHECKED	---	TACT SWITCHS

APPROVALS	DATE	TITLE:
DRAWN J.X.Zhong	2018/8/1	TACT SWITCHS

APPROVALS	DATE	TITLE:
CHECKED	---	TACT SWITCHS

APPROVALS	DATE	TITLE:
DRAWN J.X.Zhong	2018/8/1	TACT SWITCHS

APPROVALS	DATE	TITLE:
CHECKED	---	TACT SWITCHS

APPROVALS	DATE	TITLE:
DRAWN J.X.Zhong	2018/8/1	TACT SWITCHS

APPROVALS	DATE	TITLE:
CHECKED	---	TACT SWITCHS

APPROVALS	DATE	TITLE:
DRAWN J.X.Zhong	2018/8/1	TACT SWITCHS

APPROVALS	DATE	TITLE:
CHECKED	---	TACT SWITCHS

APPROVALS	DATE	TITLE:
DRAWN J.X.Zhong	2018/8/1	TACT SWITCHS

APPROVALS	DATE	TITLE:
CHECKED	---	TACT SWITCHS

APPROVALS	DATE	TITLE:
DRAWN J.X.Zhong	2018/8/1	TACT

X-ON Electronics

Largest Supplier of Electrical and Electronic Components

Click to view similar products for [Tactile Switches](#) category:

Click to view products by [HRO parts](#) manufacturer:

Other Similar products are found below :

[KMR633NG](#) [LFG](#) [5GTH92001](#) [5GTH9202242](#) [6426-201-11343](#) [MJ1226](#) [MJTP1109B](#) [MJTP1138EAUTR](#) [MJTP1230BL](#) [MJTPSHW](#)
[GS6.90F300QP](#) [1-1977223-0](#) [1-1977120-4](#) [ADTSA62NV](#) [ADTSA62RV](#) [ADTSA63KV](#) [ADTSA644NV](#) [ADTSM24NVTR](#) [ADTSMW66NV](#)
[ADTSMW67RV](#) [ATM533VTR](#) [1571300-3](#) [B3F-3123](#) [B3F-6055A](#) [B3F-B32-01-KIT](#) [1977177-8](#) [1977266-1](#) [2-1977223-4](#) [2-1977223-7](#)
[ADTS644KV](#) [ADTSA61RV](#) [ADTSA62KV](#) [ADTSA63NV](#) [ADTSA63RV](#) [ADTSA65NV](#) [ADTSM21NSVTR](#) [ADTSM25RVTR](#)
[ADTSM31RVTR](#) [ADTSM32NVTR](#) [ADTSM61YVTR](#) [ADTSM63SVTR](#) [ADTSM644KVTR](#) [ADTSMW64RV](#) [ADTSMW69NV](#)
[FSMRA4JHA04](#) [GS4.70F300QP](#) [D38999/20JJ37SA](#) [TL1105B](#) [TL1105J](#) [ATH447K2Q](#) [ATM534VTR](#)