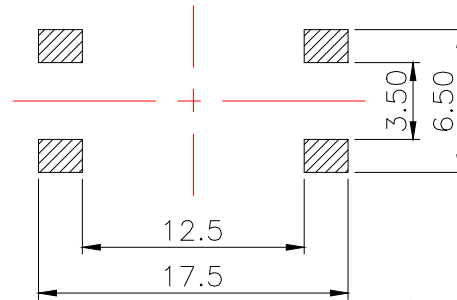
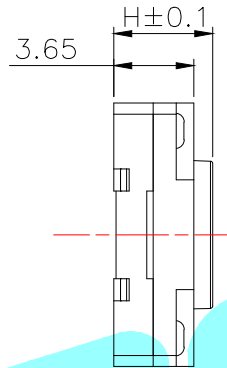
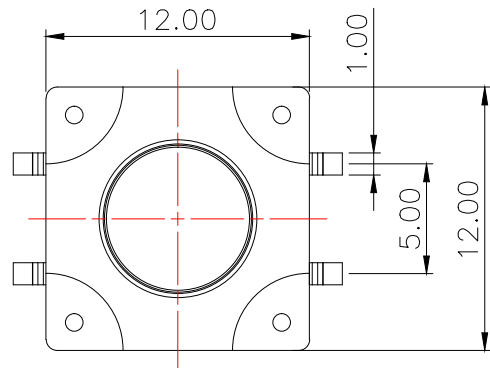
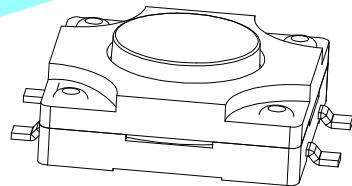
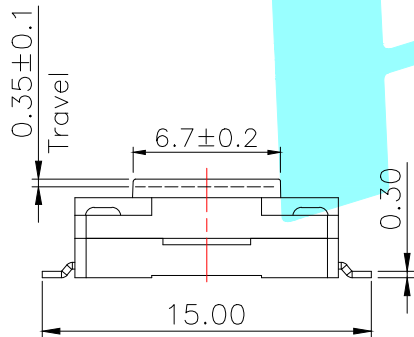
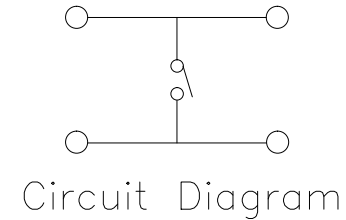


ROHS



PCB Layout(Pattern side)



NO.1

| PART NO | H   | PART NO | H    |
|---------|-----|---------|------|
| A       | 4.3 | L       | 9.5  |
| B       | 4.5 | M       | 10   |
| C       | 5.0 | N       | 10.5 |
| D       | 5.5 | O       | 11   |
| E       | 6   | P       | 11.5 |
| F       | 6.5 | Q       | 12   |
| G       | 7   | R       | 12.5 |
| H       | 7.5 | S       | 13   |
| I       | 8   | T       | 13.5 |
| J       | 8.5 | U       | 14   |
| K       | 9   | V       | 15   |

NO.2

| PART NO | vigor  |
|---------|--------|
| 4       | 250±30 |
| 5       | 350±50 |

NO.3

| PART NO | MATERIAL/QTY |
|---------|--------------|
| S       | SUS/1PC      |
| C       | C5210/1PC    |
| D       | SUS/2PCS     |
| F       | C5210/2PCS   |

NO.4-NO.5

| PART NO | NOTE          |
|---------|---------------|
| 01~99   | SERIAL NUMBER |

| ⑦    | Gasket              | —       | 1    | PPA         | —              | —       |
|------|---------------------|---------|------|-------------|----------------|---------|
| ⑥    | Waterproof Silicone | —       | 1    | Silica gel  | —              | —       |
| ⑤    | Terminal            | —       | 4    | Brass(0.3t) | Plating silver | —       |
| ④    | Contact             | —       | 1    | F.Ag/SUS    | —              | —       |
| ③    | Base                | —       | 1    | PPA         | Black          | UL94V-0 |
| ②    | Cover               | —       | 1    | PPA         | —              | —       |
| ①    | Keystoke            | —       | 1    | PPA         | Black          | UL94V-0 |
| ITEM | PART NAME           | TER'NO. | QTY. | MATERIAL    | FINISHING      | REMARK  |

| APPROVALS      |        |       | DATE         |       | <br>ELECTRONICS CO.,LTD |                   |        |
|----------------|--------|-------|--------------|-------|-------------------------|-------------------|--------|
| DRAWN          | LIUCAN |       | 2021.7.14    |       | TITLE:                  | TACT SWITCHS      |        |
| CHECKED        |        |       |              |       | PART NO.                | K2-1841SP-□□□W-□□ |        |
| APPROVALS      |        |       |              |       | UNIT: mm                | SCALE: 1:1        |        |
| TOLERANCES ARE |        |       | 30~以上        | ±0.30 | ANGLE                   | DRAWING NO.       |        |
|                |        |       | 10~30        | ±0.20 |                         |                   |        |
|                |        |       | 5~10         | ±0.15 |                         |                   |        |
|                |        |       | ~ 5          | ±0.10 |                         |                   |        |
|                |        |       |              | ±2'   | PROJ:                   |                   |        |
| ECN NO.        | REV.   | DATE. | DESCRIPTION. |       | CHANGE.                 | CHECK.            | APPRO. |

|         |      |       |              |         |        |        |
|---------|------|-------|--------------|---------|--------|--------|
| —       | A    | —     | NEW          | —       | —      | —      |
| ECN NO. | REV. | DATE. | DESCRIPTION. | CHANGE. | CHECK. | APPRO. |

## X-ON Electronics

Largest Supplier of Electrical and Electronic Components

*Click to view similar products for [Tactile Switches](#) category:*

*Click to view products by [HRO parts](#) manufacturer:*

Other Similar products are found below :

[5GTH92001](#) [5GTH9202242](#) [6407-250V-25273P](#) [ADTSA62NV](#) [ADTSA62RV](#) [B3F-3123](#) [1977177-8](#) [1977266-1](#) [ADTSA63NV](#)  
[ADTSM21NSVTR](#) [ADTSM25RVTR](#) [ADTSM32NVTR](#) [ADTSMW64RV](#) [FSMRA4JHA04](#) [GS4.70F300QP](#) [KSC241J SP DELTA LFS](#)  
[3FTL600RAS](#) [3FTL640RAS](#) [Y96K132V0FPLFS](#) [5GTH9658222](#) [6407-250V-25343P](#) [ADTSM31NVTR](#) [2-1977120-7](#) [TSJW-5.2-260-TR](#)  
[KMT011MNGJLHS](#) [B3WN6002S](#) [70-201.0](#) [ADTSG648NV](#) [ADTSM62KSVTR](#) [ADTSM648NV](#) [95C06E3RAT](#) [5GTH96561](#) [3ATH9Q](#)  
[FSMRA8JHA04](#) [HARS0073](#) [Y33R411N9FPLFT](#) [Y31C01402FPLFS](#) [PTS645SK50SMTR92](#) [ADTSM32NVB](#) [KMS233GPWTLFG](#)  
[Y78B64124FP](#) [Y96D113G0FP LFS](#) [Y33A812C5FP LFT](#) [Y56B2D120FP LFS](#) [PTS645 DVM83-BN125-2 LFS](#) [B3W 1000G](#) [KSC621G OL](#)  
[LFS](#) [B3F 1002C](#) [B3F 0047H](#) [B3F 1000G](#)