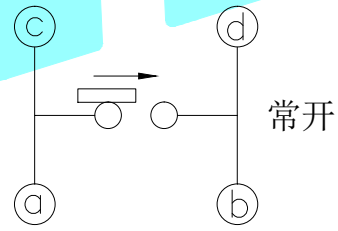


PCB Layout(Pattern side)

PART NO.	H	H1
K5-1130DA-01	8.5	1
K5-1130DA-02	11.0	2
K5-1130DA-03	12.3	2
K5-1130DA-04	13.7	2
K5-1130DA-08	9.3	1



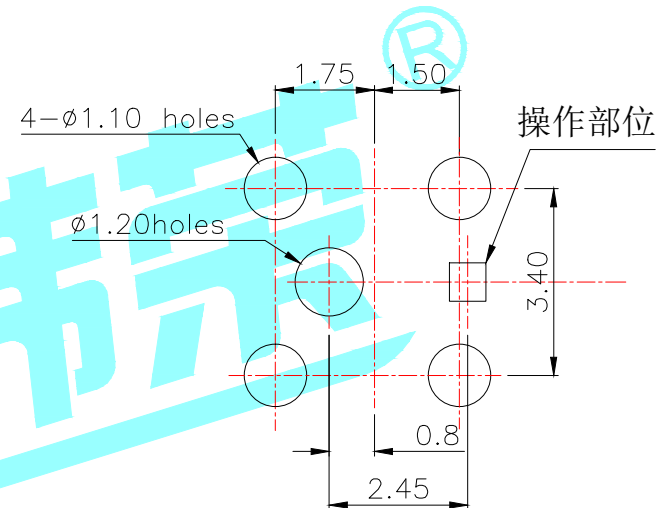
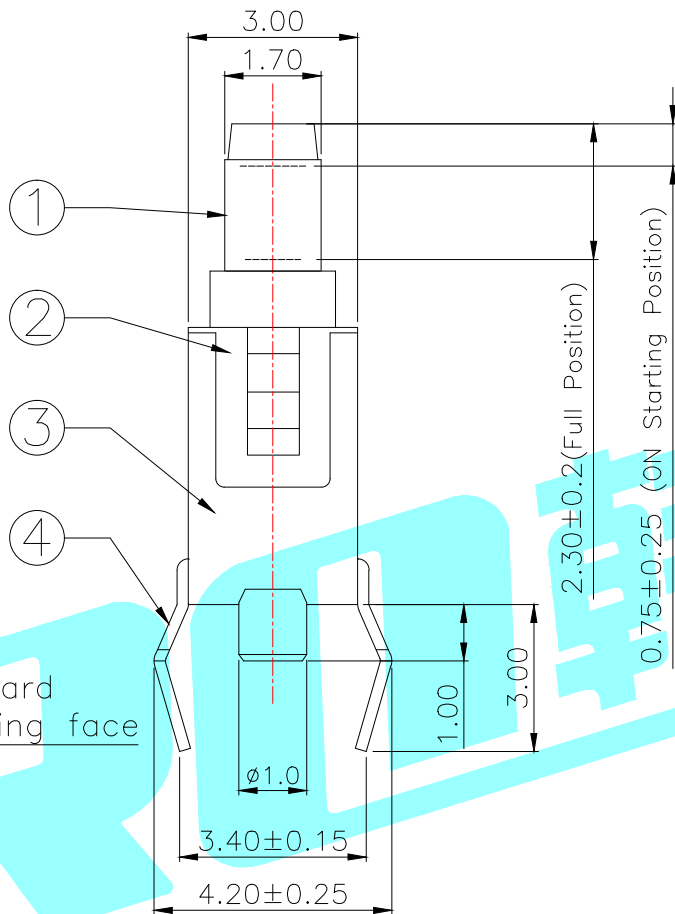
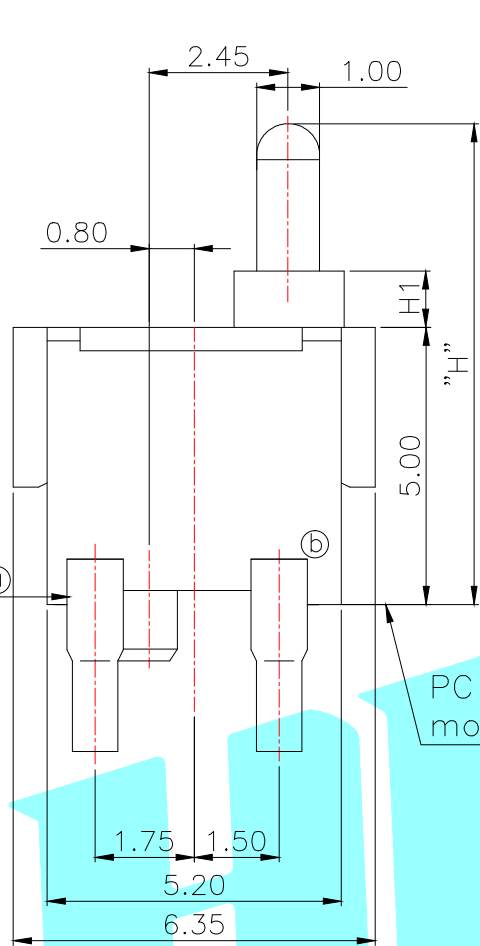
Circuit Diagram

NOTE:
 Rating: DC 30V 0.1A
 Operating Force: 40±10gf
 Lifetime: 100,000 Cycles

ITEM	PART NAME	TER'NO.	QTY.	MATERIAL	FINISHING	REMARK
⑤	Contact Spring	—	1	Phosphor Bronze	Ag Plated	—
④	Terminal	—	4	Phosphor Bronze	Ag Plated	—
③	Base	—	1	NYLON	Black	—
②	Cover	—	1	NYLON	Black	—
①	Knob	—	1	NYLON	Black	—

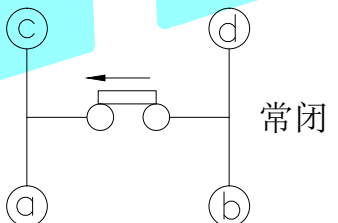
APPROVALS		DATE		HRO 睿® ELECTRONICS CO.,LTD		
DRAWN	J.X.Zhang	2018/11/15		TITLE:	DETECTOR SWITCHES	
CHECKED				PART NO.	K5-1130DA-□□	
APPROVALS			TOLERANCES ARE		ANGLE	UNIT: mm
			30~以上	±0.30	±2'	SCALE: 1:1
			10~30	±0.20		PROJ:
			5~10	±0.15		DRAWING NO.
			~ 5	±0.10		SHEET 1 OF 1

ECN NO.	REV.	DATE.	DESCRIPTION.	CHANGE.	CHECK.	APPRO.
—	A	—	NEW	—	—	—



PCB Layout(Pattern side)

PART NO.	H	H1
K5-1130DA-05	8.5	1
K5-1130DA-06	11.0	2
K5-1130DA-07	9.3	1



Circuit Diagram

NOTE:
 Rating: DC 30V 0.1A
 Operating Force: 40±10gf
 Lifetime: 100,000 Cycles

ITEM	PART NAME	TER'NO.	QTY.	MATERIAL	FINISHING	REMARK
⑤	Contact Spring	—	1	Phosphor Bronze	Ag Plated	—
④	Terminal	—	4	Phosphor Bronze	Ag Plated	—
③	Base	—	1	NYLON	Black	—
②	Cover	—	1	NYLON	Black	—
①	Knob	—	1	NYLON	Black	—

APPROVALS		DATE		HRO 睿® ELECTRONICS CO.,LTD		
DRAWN	LIUCAN	2020.12.17		TITLE:	DETECTOR SWITCHES	
CHECKED				PART NO.	K5-1130DA-□□	
APPROVALS				UNIT: mm	SCALE: 1:1	PROJ:
TOLERANCES ARE				ANGLE	DRAWING NO.	SHEET 1 OF 1
30~以上	±0.30	ANGLE	±2'			
10~30	±0.20					
5~10	±0.15					
~ 5	±0.10					

ECN NO.	REV.	DATE.	DESCRIPTION.	CHANGE.	CHECK.	APPRO.
—	A	—	NEW	—	—	—

X-ON Electronics

Largest Supplier of Electrical and Electronic Components

Click to view similar products for [Basic / Snap Action Switches](#) category:

Click to view products by [HRO parts manufacturer](#):

Other Similar products are found below :

[5SM901-S12](#) [5SM9-S12N195](#) [602EN532](#) [602EN535-RB](#) [602HE5-RB1](#) [604HE162](#) [604HE223-6B](#) [624HE17-RB](#) [6HM82](#) [6HM89](#) [6SE1](#)
[6SX1-H58](#) [70500216](#) [70599106](#) [71051](#) [MBH2731](#) [79211923](#) [79218589](#) [7AS12](#) [MIL30126AB6BBMD4A12XAU](#) [ML-1155](#) [ML-1376](#)
[831010C3.0](#) [831090C2.EL](#) [83131904](#) [84212012](#) [8AS239](#) [8HM73-3](#) [8SX26-H33](#) [914CE1-6G](#) [PL-100](#) [11SM1077-H4](#) [11SM1077-H58](#)
[11SM1-TN107](#) [11SM405](#) [11SM8423-H2](#) [11SX37-T](#) [11SX48-H58](#) [11SM2442-T](#) [11SM76-T](#) [11SM77-H58](#) [11SM863-T](#) [11SM866](#) [A7CN-](#)
[1M-1-LEFT](#) [A831700C7.0](#) [121EN188-R](#) [1245.0120](#) [125EN56-RB](#) [1267.0101](#) [1267.7101](#)