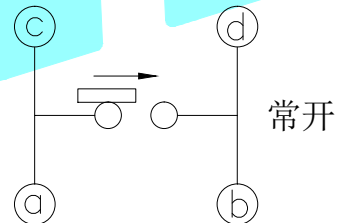


PCB Layout(Pattern side)

PART NO.	H	H1
K5-1130DA-01	8.5	1
K5-1130DA-02	11.0	2
K5-1130DA-03	12.3	2
K5-1130DA-04	13.7	2
K5-1130DA-08	9.3	1



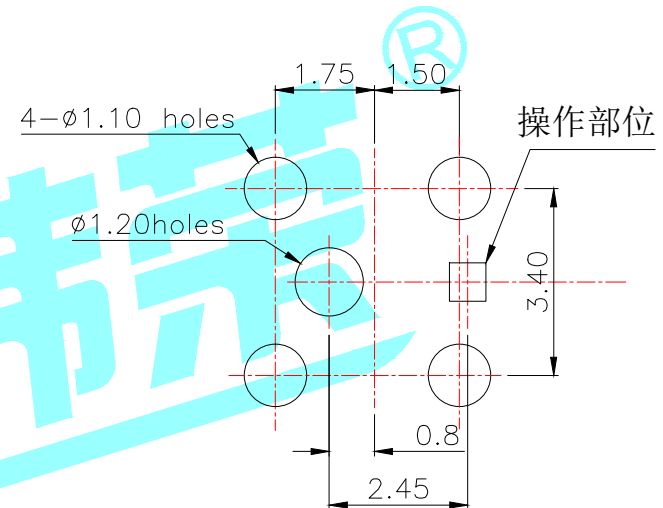
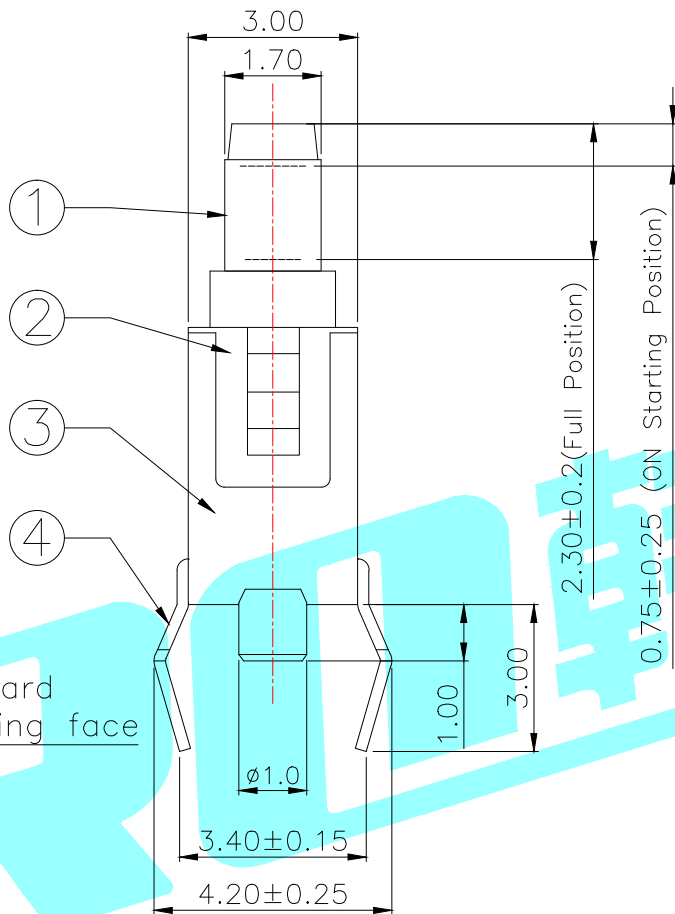
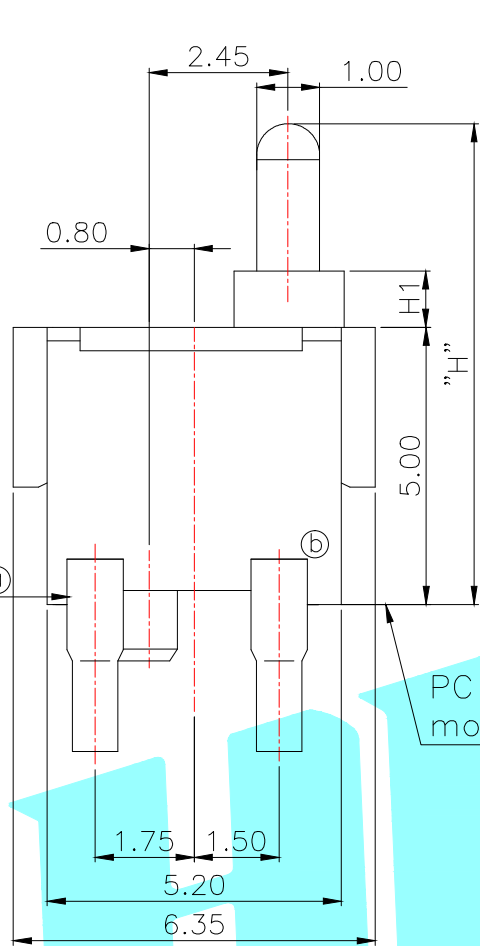
Circuit Diagram

NOTE:
 Rating: DC 30V 0.1A
 Operating Force: 40±10gf
 Lifetime: 100,000 Cycles

ITEM	PART NAME	TER'NO.	QTY.	MATERIAL	FINISHING	REMARK
⑤	Contact Spring	—	1	Phosphor Bronze	Ag Plated	—
④	Terminal	—	4	Phosphor Bronze	Ag Plated	—
③	Base	—	1	NYLON	Black	—
②	Cover	—	1	NYLON	Black	—
①	Knob	—	1	NYLON	Black	—

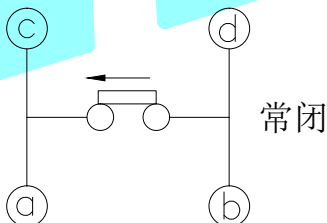
APPROVALS		DATE		HRO 睿® ELECTRONICS CO.,LTD		
DRAWN	J.X.Zhang	2018/11/15		TITLE:	DETECTOR SWITCHES	
CHECKED				PART NO.	K5-1130DA-□□	
APPROVALS				UNIT: mm	SCALE: 1:1	PROJ:
TOLERANCES ARE	30~以上 ±0.30	10~30 ±0.20	ANGLE	DRAWING NO.		SHEET 1 OF 1
	5~10 ±0.15	~ 5 ±0.10	±2'			

ECN NO.	REV.	DATE.	DESCRIPTION.	CHANGE.	CHECK.	APPRO.
—	A	—	NEW	—	—	—



PCB Layout(Pattern side)

PART NO.	H	H1
K5-1130DA-05	8.5	1
K5-1130DA-06	11.0	2
K5-1130DA-07	9.3	1



Circuit Diagram

NOTE:
 Rating: DC 30V 0.1A
 Operating Force: 40±10gf
 Lifetime: 100,000 Cycles

ITEM	PART NAME	TER'NO.	QTY.	MATERIAL	FINISHING	REMARK
⑤	Contact Spring	—	1	Phosphor Bronze	Ag Plated	—
④	Terminal	—	4	Phosphor Bronze	Ag Plated	—
③	Base	—	1	NYLON	Black	—
②	Cover	—	1	NYLON	Black	—
①	Knob	—	1	NYLON	Black	—

APPROVALS		DATE		HRO 睿® ELECTRONICS CO.,LTD		
DRAWN	LIUCAN	2020.12.17		TITLE:	DETECTOR SWITCHES	
CHECKED				PART NO.	K5-1130DA-□□	
APPROVALS				UNIT: mm	SCALE: 1:1	PROJ:
TOLERANCES ARE				ANGLE	DRAWING NO.	SHEET 1 OF 1
30~以上		±0.30	±2'			
10~30		±0.20				
5~10		±0.15				
~ 5		±0.10				

ECN NO.	REV.	DATE.	DESCRIPTION.	CHANGE.	CHECK.	APPRO.
	A		NEW			

X-ON Electronics

Largest Supplier of Electrical and Electronic Components

Click to view similar products for [Multi-Directional Switches](#) category:

Click to view products by [HRO parts](#) manufacturer:

Other Similar products are found below :

[MJTP1109AL](#) [RA3CSH6A](#) [APTCFVTR](#) [T5-NH1118](#) [RKJXW1014002](#) [RKJXW2014001](#) [T4-0183](#) [T4-TCN3332](#) [T4-TCK3312](#) [TSWA-3N-CUP2-LFS](#) [TSW A-3N-CUP-LFS](#) [3J2015-200](#) [T2-0018](#) [T5-CK2212](#) [3J2015-200N](#) [CS41001E](#) [T4-0010](#) [2200-000301](#) [T4-CN211N](#)
[RKJXK1210002](#) [RKJXK122000D](#) [RKJXK122400Y](#) [RKJXL100401V](#) [RKJXM1015004](#) [RKJXS1004001](#) [RKJXT1F42001](#) [RKJXV1220001](#)
[RKJXV1224005](#) [RKJXY1000006](#) [RKJXY100000A](#) [SKQUDBE010](#) [SKRHAAE010](#) [SKRHABE010](#) [SKRHACE010](#) [SKRHADE010](#)
[SLLB120100](#) [SLLB120200](#) [SLLB120300](#) [SLLB510100](#) [SLLB510200](#) [SLLB520100](#) [SRBE110301](#) [SRBE210200](#) [AMPTFP2VTR](#) [D16202](#)
[PHAP4383V](#) [3302](#) [QS1 KQS1 BK S C](#) [QS2 KQS1 BK N C](#) [QS2 KQS1 BK S C](#)