

PCB Layout(Pattern side)

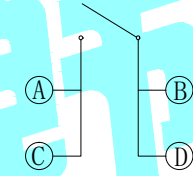
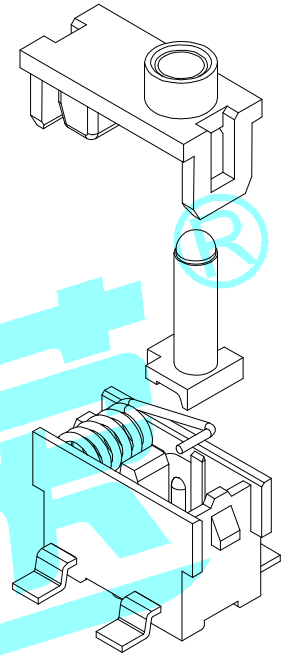
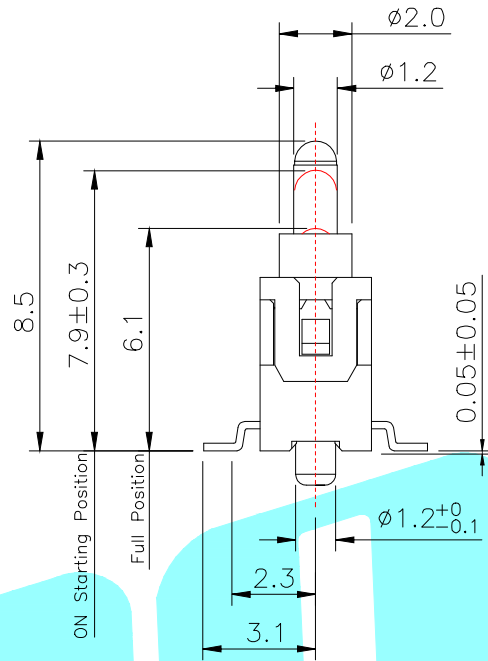
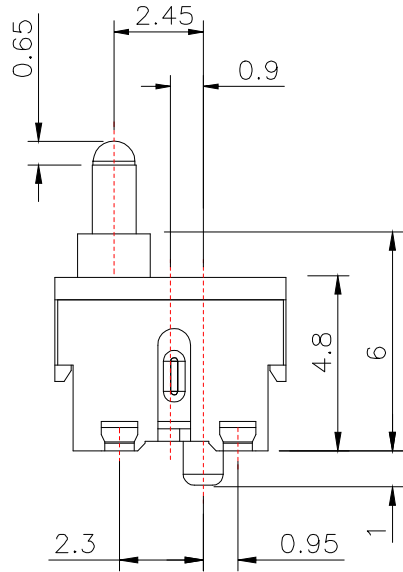
NOTE:
 Rating: DC 5V 0.1~1mA
 Operating Force: 36gf Max
 Lifetime: 100,000 Cycles

PART NO.	H
K5-1130DG-01	8.5
K5-1130DG-02	9.5
K5-1130DG-03	11.0

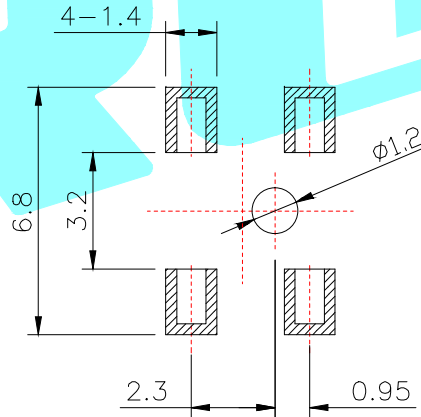
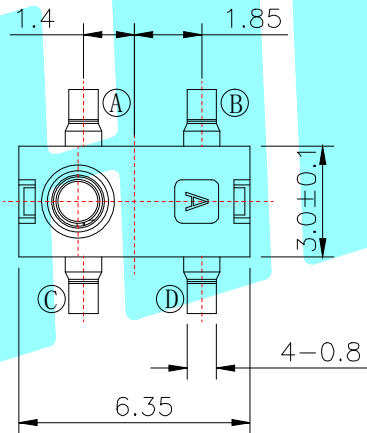
ITEM	PART NAME	TER'NO.	QTY.	MATERIAL	FINISHING	REMARK
⑤	Contact Spring	—	1	Phosphor Bronze	Ag Plated	—
④	Terminal	—	4	Brass	Ag Plated	—
③	Base	—	1	PA	Black	—
②	Cover	—	1	PA	Black	—
①	Knob	—	1	PA	Black	—

APPROVALS		DATE		HROELECTRONICS CO.,LTD		
DRAWN	LIUCAN	2021.4.10		ELECTRONICS CO.,LTD		
CHECKED				TITLE: DETECTOR SWITCHES		
APPROVALS				PART NO. K5-1130DG-□□		
TOLERANCES ARE		30~以上	±0.30	ANGLE	UNIT: mm	SCALE: 1:1
		10~30	±0.20			
		5~10	±0.15			
		~ 5	±0.10			
			±2'	DRAWING NO.		
				PROJ:		
				SHEET 1 OF 1		

ECN NO.	REV.	DATE.	DESCRIPTION.	CHANGE.	CHECK.	APPRO.
—	A	—	NEW	—	—	—



Circuit Diagram



PCB Layout(Pattern side)

NOTE:
 Rating: DC 5V 0.1~1mA
 Operating Force: 36gf Max
 Lifetime: 100,000 Cycles

PART NO.	H
K5-1130SG-01	8.5
K5-1130SG-02	9.5
K5-1130SG-03	11.0

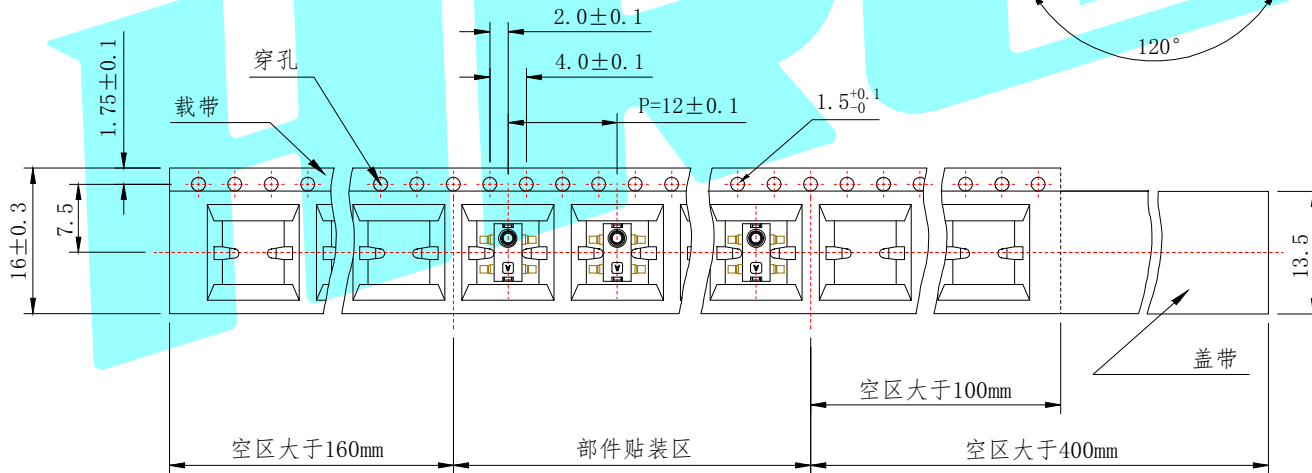
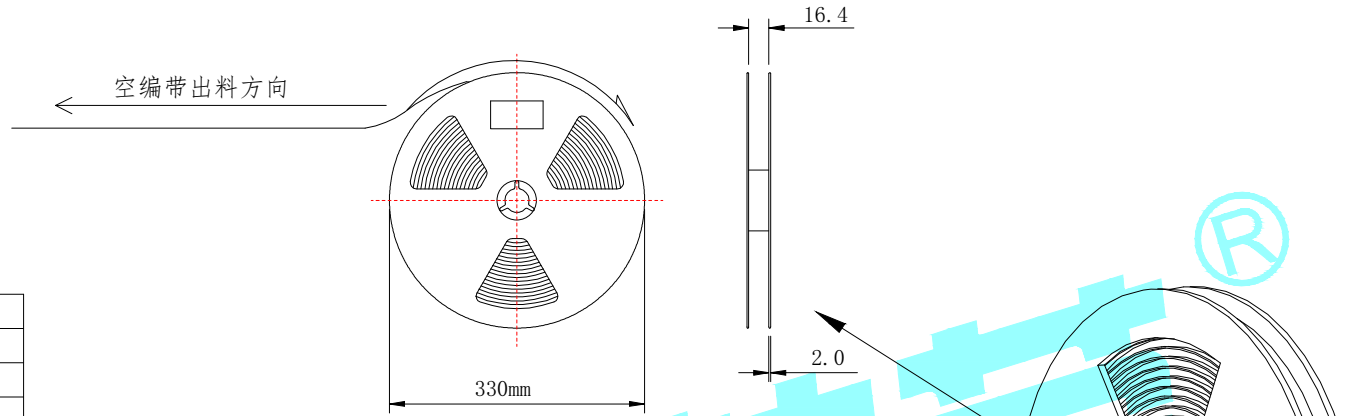
ITEM	PART NAME	TER'NO.	QTY.	MATERIAL	FINISHING	REMARK
⑤	Contact Spring	—	1	Phosphor Bronze	Ag Plated	—
④	Terminal	—	4	Brass	Ag Plated	—
③	Base	—	1	PA	Black	—
②	Cover	—	1	PA	Black	—
①	Knob	—	1	PA	Black	—

APPROVALS		DATE		HRO 研 ELECTRONICS CO.,LTD		
DRAWN	LIUCAN	2021.4.10		TITLE:	DETECTOR SWITCHS	
CHECKED				PART NO.	K5-1130SG-□□	
APPROVALS				UNIT: mm	SCALE: 1:1	PROJ:
TOLERANCES ARE		30~以上 ±0.30	±0.20	ANGLE	DRAWING NO.	SHEET 1 OF 1
		10~30 ±0.20	±0.15	±2°		
		5~10 ±0.15	±0.10			
		~ 5 ±0.10				

ECN NO.	REV.	DATE.	DESCRIPTION.	CHANGE.	CHECK.	APPRO.
—	A	—	NEW	—	—	—

包装：卡通箱
 转轴：聚丙烯
 载带：聚丙烯

PART NO.	H	每卷数量
K5-1130SG-01	8.5	600pcs
K5-1130SG-02	9.5	500pcs
K5-1130SG-03	11.0	500pcs



APPROVALS		DATE	HRD 韩磊® ELECTRONICS CO.,LTD		
DRAWN	LIUCAN	2021.4.10	TITLE:	DETECTOR SWITCHS	
CHECKED			PART NO.	K5-1130SG-□□	
APPROVALS			UNIT: mm	SCALE: 1:1	PROJ:
TOLERANCES ARE		ANGLE	DRAWING NO.		SHEET 1 OF 1
30~以上	±0.30	±2'			
10~30	±0.20				
5~10	±0.15				
~ 5	±0.10				

ECN NO.	REV.	DATE.	DESCRIPTION.	CHANGE.	CHECK.	APPRO.
	A		NEW			

X-ON Electronics

Largest Supplier of Electrical and Electronic Components

Click to view similar products for [Basic / Snap Action Switches](#) category:

Click to view products by [HRO parts manufacturer](#):

Other Similar products are found below :

[5SM901-S12](#) [5SM9-S12N195](#) [602EN532](#) [602EN535-RB](#) [602HE5-RB1](#) [604HE223-6B](#) [624HE17-RB](#) [6HM82](#) [6SE1](#) [6SX1-H58](#) [70500216](#)
[70599106](#) [71051](#) [714-0293](#) [MBH2731](#) [79211923](#) [79218589](#) [MIL30126AB6BBMD4A12XAU](#) [ML-1155](#) [ML-1376](#) [831010C3.0](#) [8AS239](#)
[8HM73-3](#) [8SX26-H33](#) [914CE1-6G](#) [11SM1077-H4](#) [11SM1077-H58](#) [11SM1-TN107](#) [11SM405](#) [11SM703-T](#) [11SM8423-H2](#) [11SX37-T](#)
[11SX48-H58](#) [11SM2442-T](#) [11SM76-T](#) [11SM77-H58](#) [11SM77-T](#) [11SM863-T](#) [11SM866](#) [A831700C7.0](#) [121EN188-R](#) [1245.0120](#) [125EN56-](#)
[RB](#) [D433V3RD](#) [1267.0101](#) [1267.7101](#) [D4BFC1](#) [12SM4-T2](#) [12SX2-T2](#) [1298.0101](#)