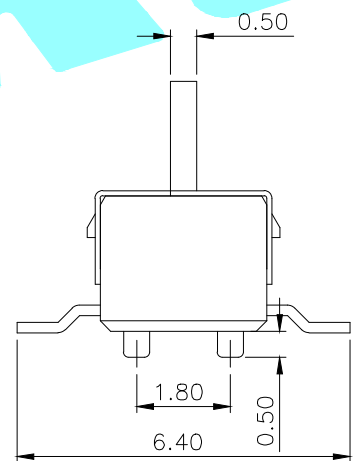
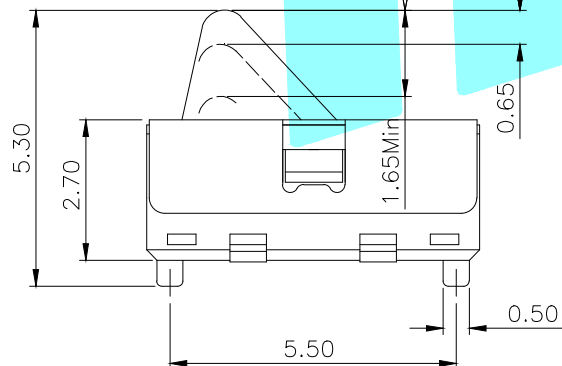


CIRCUIT DIAGRAM

ON STARTING POSITION

TOTAL TRAVEL POSITION



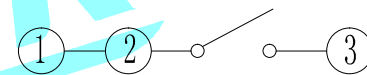
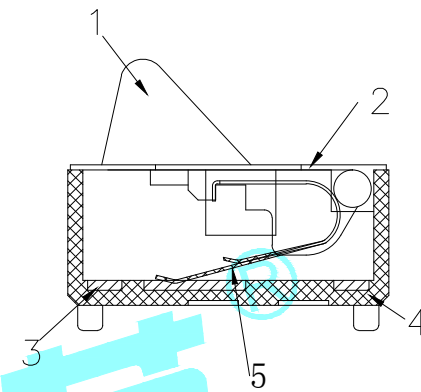
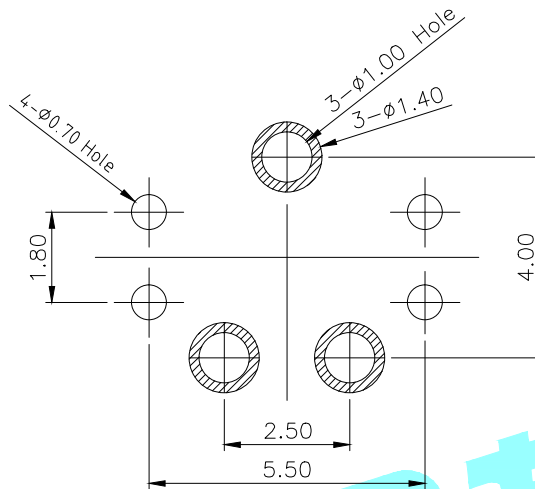
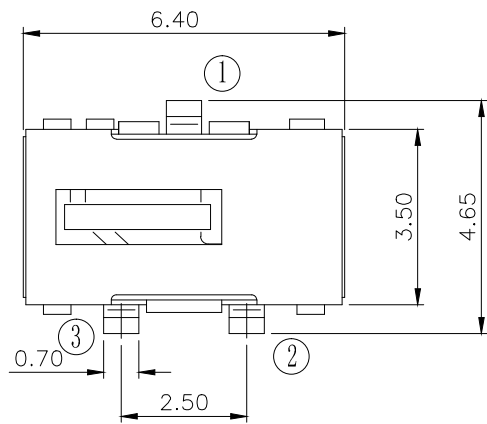
PCB LAND DIMENSION

NOTE:
 Rating: DC 12V 0.1A
 Operating Force: 50±15gf
 Lifetime: 50,000 Cycles
 Travel: 0.60±0.25mm

ITEM	PART NAME	TER'NO.	QTY.	MATERIAL	FINISHING	REMARK
⑤	Spring	—	1	SUS	Natural	—
④	Base	—	1	PA46	Black	—
③	Terminal	—	4	Phosphor Bronze	Ag Plated	—
②	Cover	—	1	SUS	Natural	—
①	KnOb	—	1	PA46	Black	—

APPROVALS		DATE		 ELECTRONICS CO.,LTD		
DRAWN	LIUCAN	2020/10/17				
CHECKED				PART NO.	K5-1217SA-02	
APPROVALS				UNIT: mm	SCALE: 1:1	PROJ:
TOLERANCES ARE			30~以上: ±0.30	ANGLE	UNIT: mm	SCALE: 1:1
			10~30: ±0.20	±2'	DRAWING NO.	
			5~10: ±0.15			
			~ 5: ±0.10			

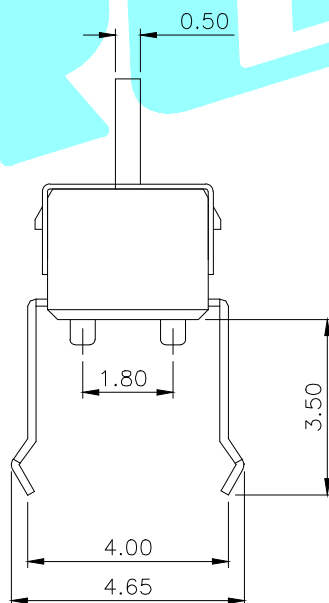
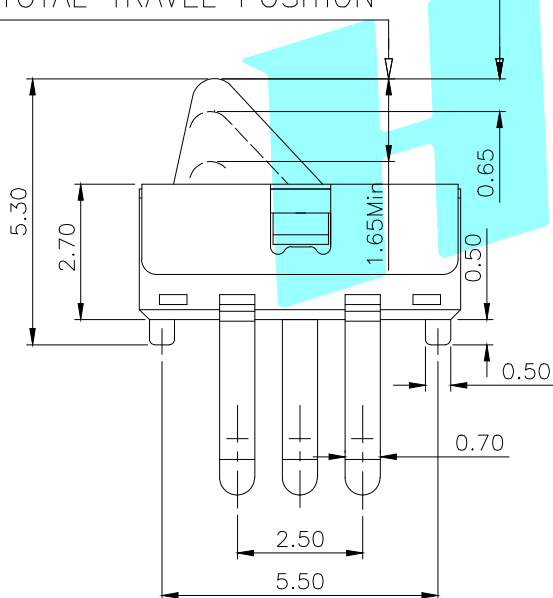
ECN NO.	REV.	DATE.	DESCRIPTION.	CHANGE.	CHECK.	APPRO.
	A		NEW			



CIRCUIT DIAGRAM

NOTE:
 Rating: DC 12V 0.1A
 Operating Force: 50±15gf
 Lifetime: 50,000 Cycles
 Travel: 0.60±0.25mm

ON STARTING POSITION
 TOTAL TRAVEL POSITION



⑤	Spring	—	1	SUS	Natural	—
④	Base	—	1	PA46	Black	—
③	Terminal	—	4	Phosphor Bronze	Ag Plated	—
②	Cover	—	1	SUS	Natural	—
①	KnOb	—	1	PA46	Black	—
ITEM	PART NAME	TER'NO.	QTY.	MATERIAL	FINISHING	REMARK

APPROVALS		DATE		 ELECTRONICS CO.,LTD					
DRAWN	LIUCAN	2020.12.18							
CHECKED				TITLE: DETECTOR SWITCHES					
APPROVALS				PART NO. K5-1217DA-02					
TOLERANCES ARE		30~以上 10~30 5~10 ~ 5	±0.30 ±0.20 ±0.15 ±0.10	ANGLE	UNIT: mm	SCALE: 1:1			
ECN NO.	REV.	DATE.	DESCRIPTION.	CHANGE.	CHECK.	APPRO.	DRAWING NO.	PROJECT	SHEET 1 OF 1

NEW	—	—	—	—	—	—
ECN NO.	REV.	DATE.	DESCRIPTION.	CHANGE.	CHECK.	APPRO.

X-ON Electronics

Largest Supplier of Electrical and Electronic Components

Click to view similar products for [Basic / Snap Action Switches](#) category:

Click to view products by [HRO parts manufacturer](#):

Other Similar products are found below :

[5SM901-S12](#) [5SM9-S12N195](#) [602EN532](#) [602EN535-RB](#) [602HE5-RB1](#) [604HE223-6B](#) [624HE17-RB](#) [6HM82](#) [6SE1](#) [6SX1-H58](#) [70500216](#)
[70599106](#) [71051](#) [714-0293](#) [MBH2731](#) [79211923](#) [79218589](#) [MIL30126AB6BBMD4A12XAU](#) [ML-1155](#) [ML-1376](#) [831010C3.0](#)
[831090C2.EL](#) [83131904](#) [84212012](#) [8AS239](#) [8HM73-3](#) [8SX26-H33](#) [914CE1-6G](#) [11SM1077-H4](#) [11SM1077-H58](#) [11SM1-TN107](#) [11SM405](#)
[11SM703-T](#) [11SM8423-H2](#) [11SX37-T](#) [11SX48-H58](#) [11SM2442-T](#) [11SM76-T](#) [11SM77-H58](#) [11SM77-T](#) [11SM863-T](#) [11SM866](#)
[A831700C7.0](#) [121EN188-R](#) [1245.0120](#) [125EN56-RB](#) [D433V3RD](#) [1267.0101](#) [1267.7101](#) [D4BFC1](#)