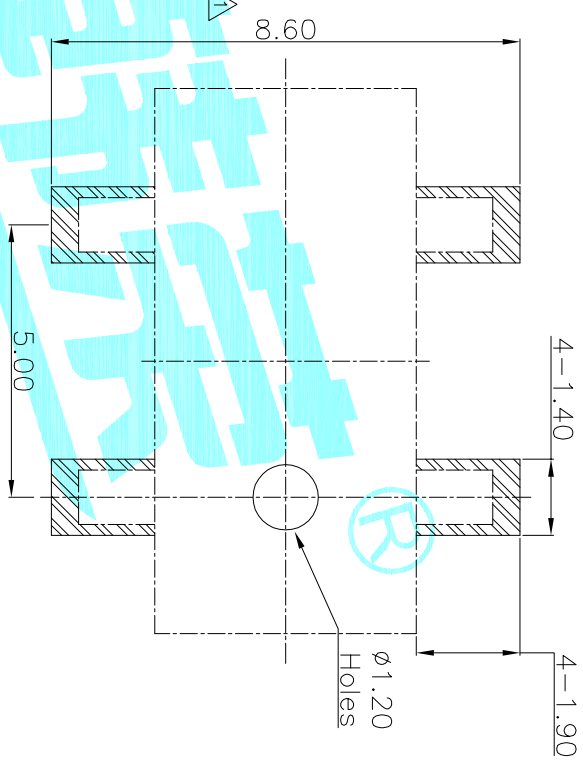
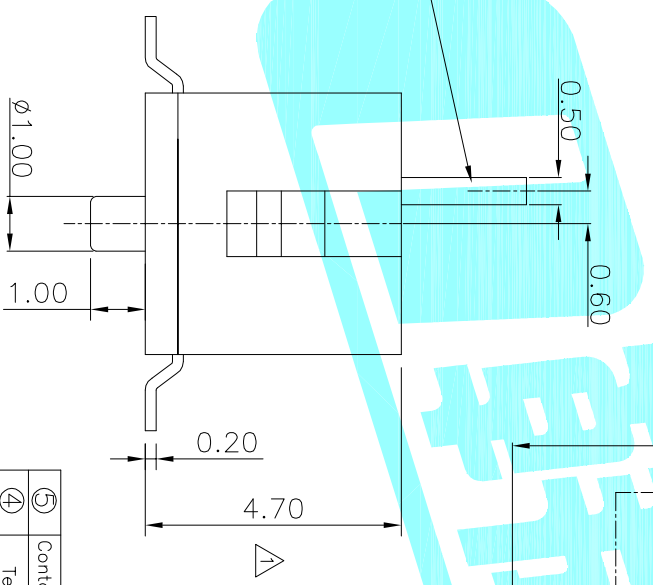
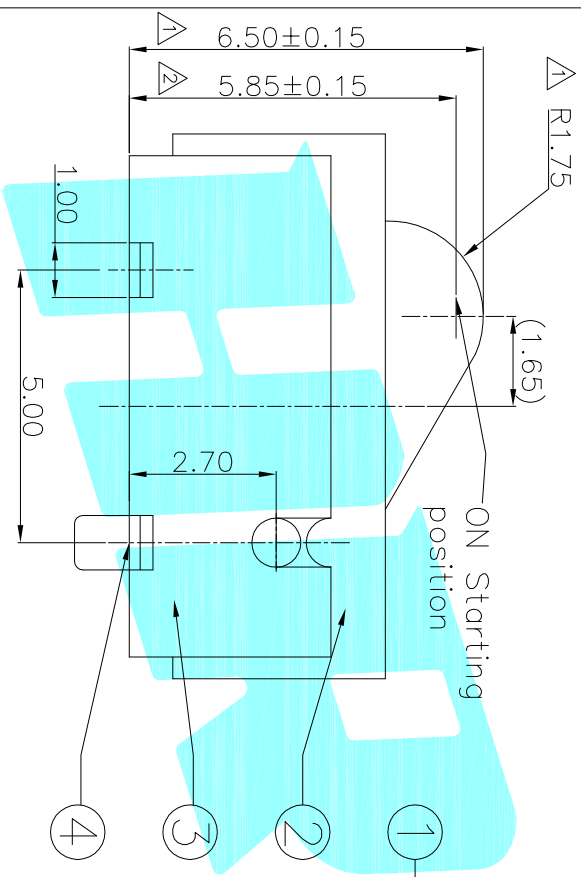


Circuit Diagram



PCB Layout(Pattern side)

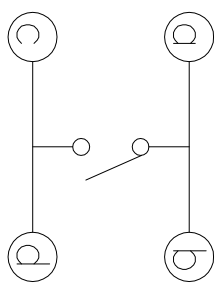
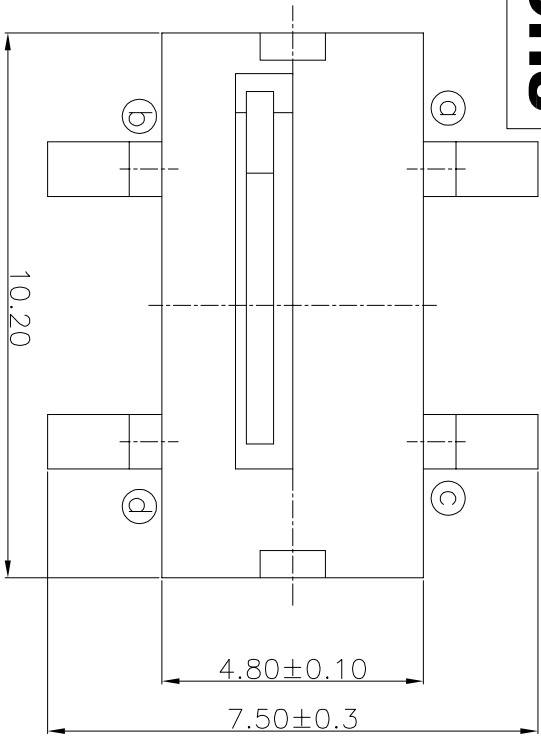


NOTE:
 Rating: DC 30V 0.1A
 Operating Force: 30±10gf
 Lifetime: 100,000 Cycles

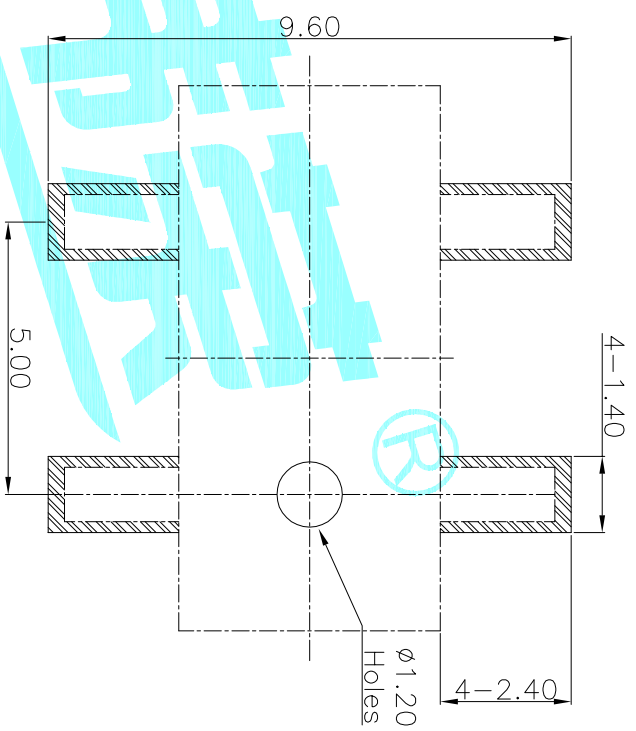
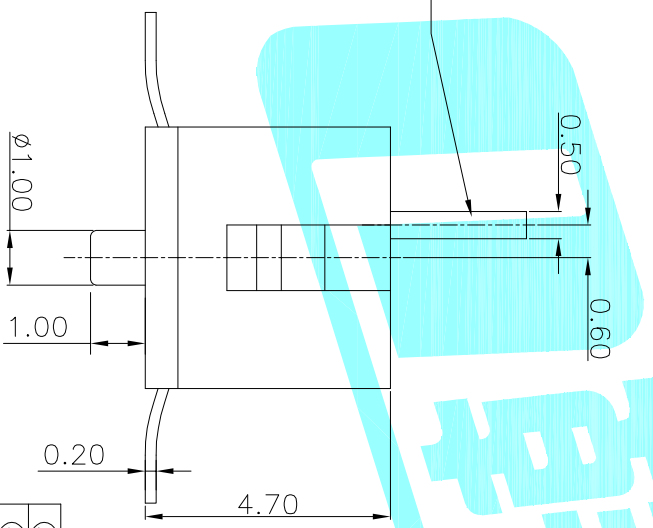
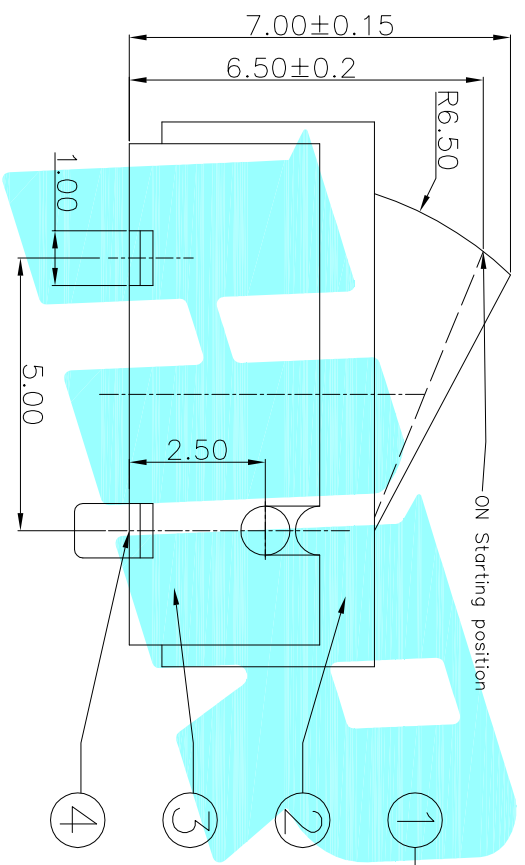
PART NO.	
K5-1631SA-02	K5-1631SN-02

ITEM	PART NAME	TER'NO.	QTY.	MATERIAL	FINISHING	REMARK
⑤	Contact Spring	—	1	Be Alloy	Ag Plated	—
④	Terminal	—	4	Brass	Ag Plated	—
③	Housing	—	1	LCP	Black	—
②	Cover	—	1	LCP	Black	—
①	Slider	—	1	LCP	Black	—

DRAWN		DATE		TITLE:		PART NO.	
JKUNJLU		2017/5/22		ELECTRONICS CO.,LTD		DETECTOR SWITCHS	
CHECKED		APPROVALS		APPROVALS		SCALE: 1:1	
APPROVALS		APPROVALS		APPROVALS		PROJ:	
TOLERANCES ARE		±2'		DRAWING NO.		SHEET 1 OF 1	
30~0.1±		±0.30		ANGLE		PROJ:	
10~30		±0.20		UNIT: mm		SHEET 1 OF 1	
5~10		±0.15		SCALE: 1:1		PROJ:	
~5		±0.10		DRAWING NO.		SHEET 1 OF 1	
ECN NO.	REV.	DATE.	DESCRIPTION.	CHANGE.	CHECK.	APPRO.	
	A		NEW				
	B						
	C						



Circuit Diagram



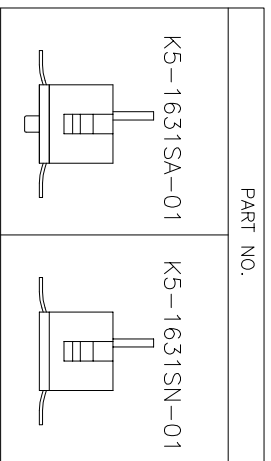
PCB Layout(Pattern side)

NOTE:
 Rating: DC 30V 0.1A
 Operating Force: 30±10gf
 Lifetime: 100,000 Cycles

ECN NO.	REV.	DATE.	DESCRIPTION.	CHANGE.	CHECK.	APPRO.
	A		NEW			

ITEM	PART NAME	TER'NO.	QTY.	MATERIAL	FINISHING	REMARK
⑤	Contact Spring	—	1	Be Alloy	Ag Plated	—
④	Terminal	—	4	Brass	Ag Plated	—
③	Housing	—	1	PA46	Black	—
②	Cover	—	1	PA46	Black	—
①	Slider	—	1	PA46	White	—

APPROVALS		DATE	TITLE:	
DRAWN	J.X.Zhong	2013/8/27	ELECTRONICS CO.,LTD	
CHECKED			DETECTOR SWITCHS	
APPROVALS			PART NO.	
TOLERANCES ARE		30~0.15	±0.30	ANGLE
	10~30	±0.20		UNIT: mm
	5~10	±0.15	±2'	SCALE: 1:1
	~5	±0.10		PROJ:
				SHEET 1 OF 1



X-ON Electronics

Largest Supplier of Electrical and Electronic Components

Click to view similar products for [Basic / Snap Action Switches](#) category:

Click to view products by [HRO parts manufacturer](#):

Other Similar products are found below :

[83228001](#) [01.098.1358.1](#) [602EN1-6B](#) [602EN532](#) [602EN535-RB](#) [602HE5-RB1](#) [604HE162](#) [604HE223-6B](#) [624HE17-RB](#) [6HM89](#) [6PA78-JM](#)
[6SE1](#) [6SX1-H58](#) [70500840](#) [MBD5B1](#) [MBH2731](#) [73-316-0012](#) [79211759](#) [79211923](#) [79218589](#) [7AS12](#) [ML-1155](#) [ML-1376](#) [831010C3.0](#)
[831060C3.TL](#) [831090C2.EL](#) [83131904](#) [84212012](#) [8AS239](#) [8HM73-3](#) [903VB1-PG](#) [914CE1-6G](#) [PL-100](#) [11SM1077-H4](#) [11SM1077-H58](#)
[11SM1-TN107](#) [11SM405](#) [11SM703-T](#) [11SM8423-H2](#) [11SX37-T](#) [11SX48-H58](#) [11SX55-H58](#) [11SM2442-T](#) [11SM76-T](#) [11SM77-H58](#)
[11SM77-T](#) [11SM863-T](#) [11SM866](#) [11SX47-H58](#) [A7CN-1M-1-LEFT](#)