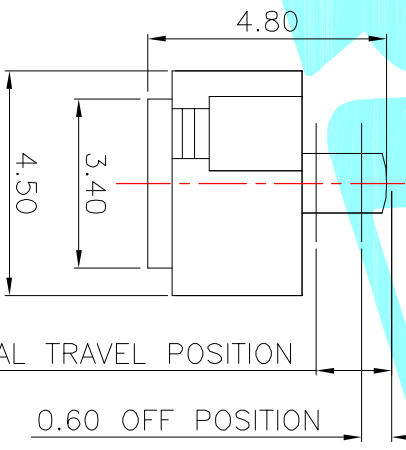
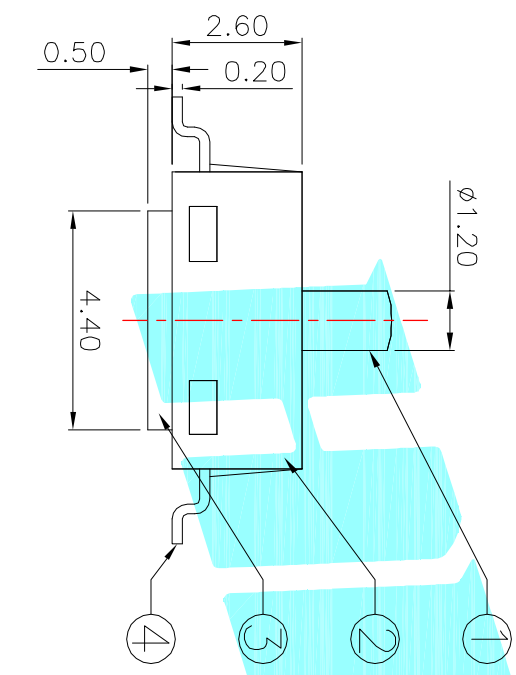


Circuit Diagram



0.60 OFF POSITION

NOTE:
 Rating: DC 5V 5mA
 Operating Force: 30±10gf
 Lifetime: 100,000 Cycles

| ITEM | PART NAME | TER'NO. | QTY. | MATERIAL | FINISHING | REMARK |
|------|----------------|---------|------|-----------------|-----------|--------|
| ⑥ | Spring | — | 1 | SUS | Natural | — |
| ⑤ | Contact Spring | — | 1 | Phosphor Bronze | Ag Plated | — |
| ④ | Terminal | — | 2 | Phosphor Bronze | Ag Plated | — |
| ③ | Base | — | 1 | NYLON | Black | — |
| ② | Cover | — | 1 | NYLON | Black | — |
| ① | Knob | — | 1 | NYLON | White | — |

| APPROVALS | | DATE | TITLE: | |
|-----------|-----------|-----------|---------------------|--|
| DRAWN | J.X.Zhang | 2013/9/13 | DETECTOR SWITCHES | |
| CHECKED | | | ELECTRONICS CO.,LTD | |

| ECN NO. | REV. | DATE. | DESCRIPTION. | CHANGE. | CHECK. | APPRO. | | | | | | | | | | | | | | | | | | | | | | | | | | | | | | |
|------------------------------------------------------------------------------------------------------------------------------------------------------------------------------------------------------------------------------------------------------------------------------------------------------------------------------------------------------------------------------------------------------------------------------------------------------------------------------------------------------------------------------------------|-------|----------|--------------|---------|--------------|--------|----------------|-------|----------|------------|-------|--------------|---------------|-----|----|-----|--|--|-------------|--|--|--|--|--|------------|--|--|--|--|--|----------|--|--|--|--|--|
| | A | | NEW | | | | | | | | | | | | | | | | | | | | | | | | | | | | | | | | | |
| <table border="1"> <thead> <tr> <th>TOLERANCES ARE</th> <th>ANGLE</th> <th>UNIT: mm</th> <th>SCALE: 1:1</th> <th>PROJ:</th> <th>SHEET 1 OF 1</th> </tr> </thead> <tbody> <tr> <td>30~12.5 ±0.30</td> <td>±2°</td> <td>mm</td> <td>1:1</td> <td></td> <td></td> </tr> <tr> <td>10~30 ±0.20</td> <td></td> <td></td> <td></td> <td></td> <td></td> </tr> <tr> <td>5~10 ±0.15</td> <td></td> <td></td> <td></td> <td></td> <td></td> </tr> <tr> <td>~5 ±0.10</td> <td></td> <td></td> <td></td> <td></td> <td></td> </tr> </tbody> </table> | | | | | | | TOLERANCES ARE | ANGLE | UNIT: mm | SCALE: 1:1 | PROJ: | SHEET 1 OF 1 | 30~12.5 ±0.30 | ±2° | mm | 1:1 | | | 10~30 ±0.20 | | | | | | 5~10 ±0.15 | | | | | | ~5 ±0.10 | | | | | |
| TOLERANCES ARE | ANGLE | UNIT: mm | SCALE: 1:1 | PROJ: | SHEET 1 OF 1 | | | | | | | | | | | | | | | | | | | | | | | | | | | | | | | |
| 30~12.5 ±0.30 | ±2° | mm | 1:1 | | | | | | | | | | | | | | | | | | | | | | | | | | | | | | | | | |
| 10~30 ±0.20 | | | | | | | | | | | | | | | | | | | | | | | | | | | | | | | | | | | | |
| 5~10 ±0.15 | | | | | | | | | | | | | | | | | | | | | | | | | | | | | | | | | | | | |
| ~5 ±0.10 | | | | | | | | | | | | | | | | | | | | | | | | | | | | | | | | | | | | |

X-ON Electronics

Largest Supplier of Electrical and Electronic Components

Click to view similar products for [Basic / Snap Action Switches](#) category:

Click to view products by [HRO parts manufacturer](#):

Other Similar products are found below :

[5SM901-S12](#) [5SM9-S12N195](#) [602EN532](#) [602EN535-RB](#) [604HE162](#) [604HE223-6B](#) [624HE17-RB](#) [6HM82](#) [6HM89](#) [6SE1](#) [6SX1-H58](#)
[70500216](#) [70599106](#) [71051](#) [MBH2731](#) [79211923](#) [79218589](#) [7AS12](#) [MIL30126AB6BBMD4A12XAU](#) [ML-1155](#) [ML-1376](#) [831010C3.0](#)
[831090C2.EL](#) [83131904](#) [84212012](#) [8AS239](#) [8HM73-3](#) [8SX26-H33](#) [914CE1-6G](#) [PL-100](#) [11SM1077-H4](#) [11SM1077-H58](#) [11SM1-TN107](#)
[11SM405](#) [11SM8423-H2](#) [11SX37-T](#) [11SX48-H58](#) [11SM2442-T](#) [11SM76-T](#) [11SM77-H58](#) [11SM77-T](#) [11SM863-T](#) [11SM866](#) [A7CN-1M-1-LEFT](#) [A831700C7.0](#) [121EN188-R](#) [1245.0120](#) [125EN56-RB](#) [1267.0101](#) [1267.7101](#)