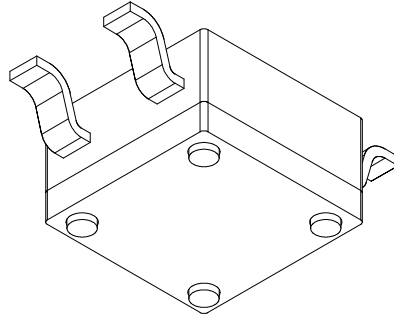
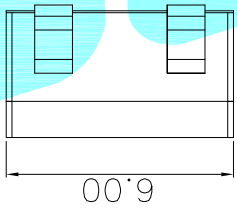
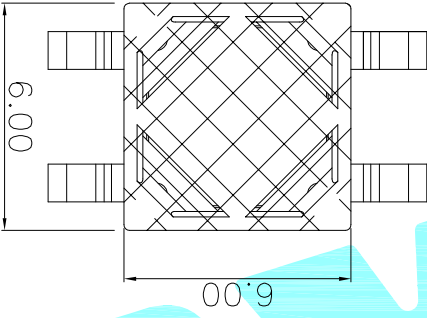
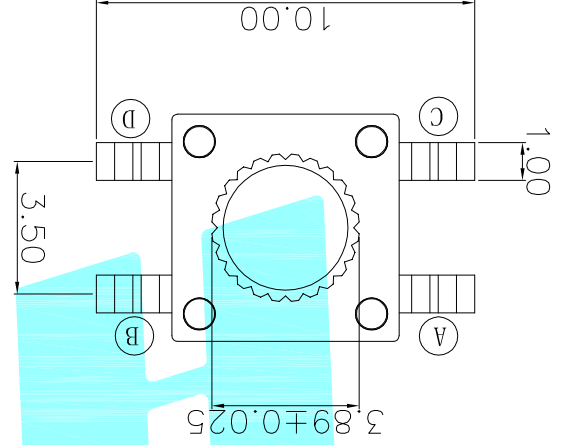
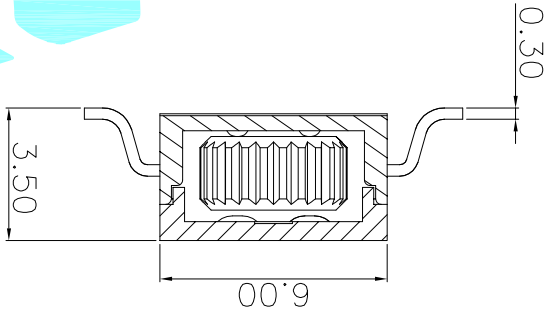
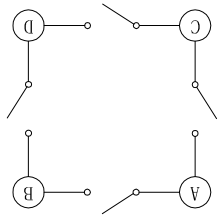
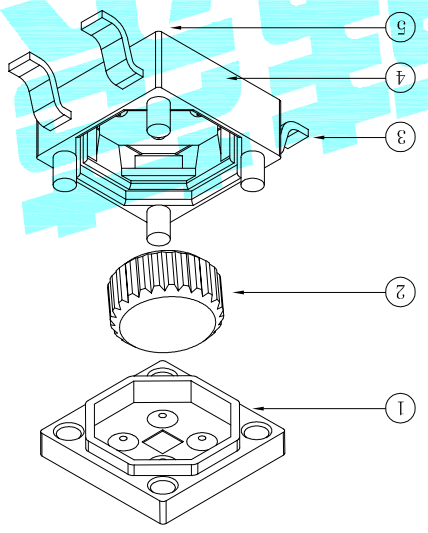
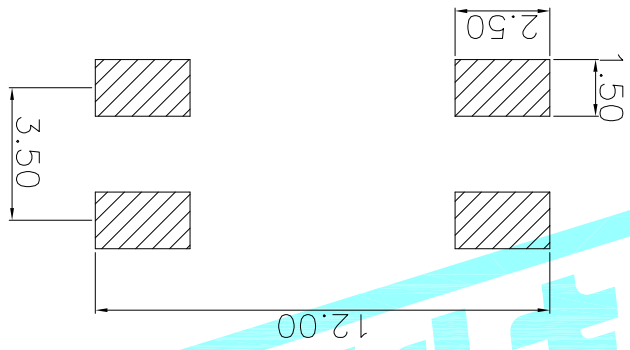


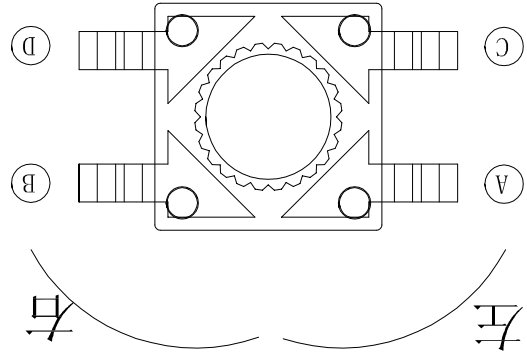
CIRCUIT DIAGRAM



| | | | | | | |
|----------------|--------------|---------------------|--------------|-----------------|-----------|-----------|
| ECN NO. | REV. | DATE. | DESCRIPTION. | CHANGE. | CHECK. | APPRO. |
| NEW | A | | | | | |
| TOLERANCES ARE | | | | | | |
| ±0.30 | ±0.20 | ±0.15 | ±0.10 | ±0.10 | ±0.10 | ±0.10 |
| 30~以上 | 10~30 | 5~10 | ~5 | ~5 | ~5 | ~5 |
| ANGLE | UNIT: mm | SCALE: 1:1 | PROJ: | SHEET 1 OF 1 | | |
| APPROVALS | PART NO. | K5-1672SN-01 | | | | |
| CHECKED | TITLE: | DETECTOR SWITCHS | | | | |
| DRAWN | J.X.Zhang | DATE: 2018/8/1 | | | | |
| APPROVALS | | ELECTRONICS CO.,LTD | | | | |
| DATE | | | | | | |
| ITEM | PART NAME | TER'NO. | QTY. | MATERIAL | FINISHING | REMARK |
| ⑤ | Dust Cover | — | 1 | KET | PA | Natural |
| ④ | Base | — | 4 | PA | PA | Black |
| ③ | Terminal | — | 1 | Phosphor Bronze | Ag Plated | Ag Plated |
| ② | Ball bearing | — | 1 | Phosphor Bronze | Ag Plated | Ag Plated |
| ① | Cover | — | 1 | PA | PA | Black |

PCB LAND DIMENSION

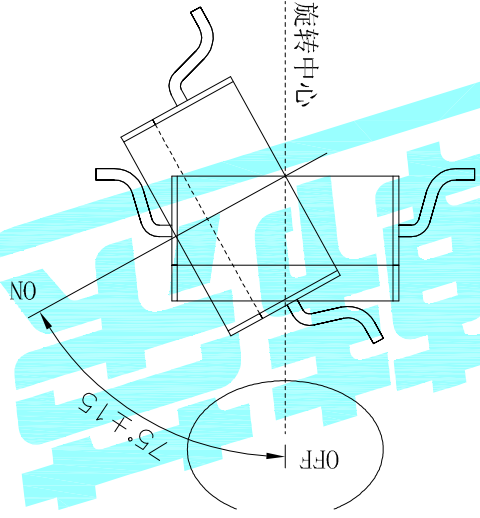




图一：

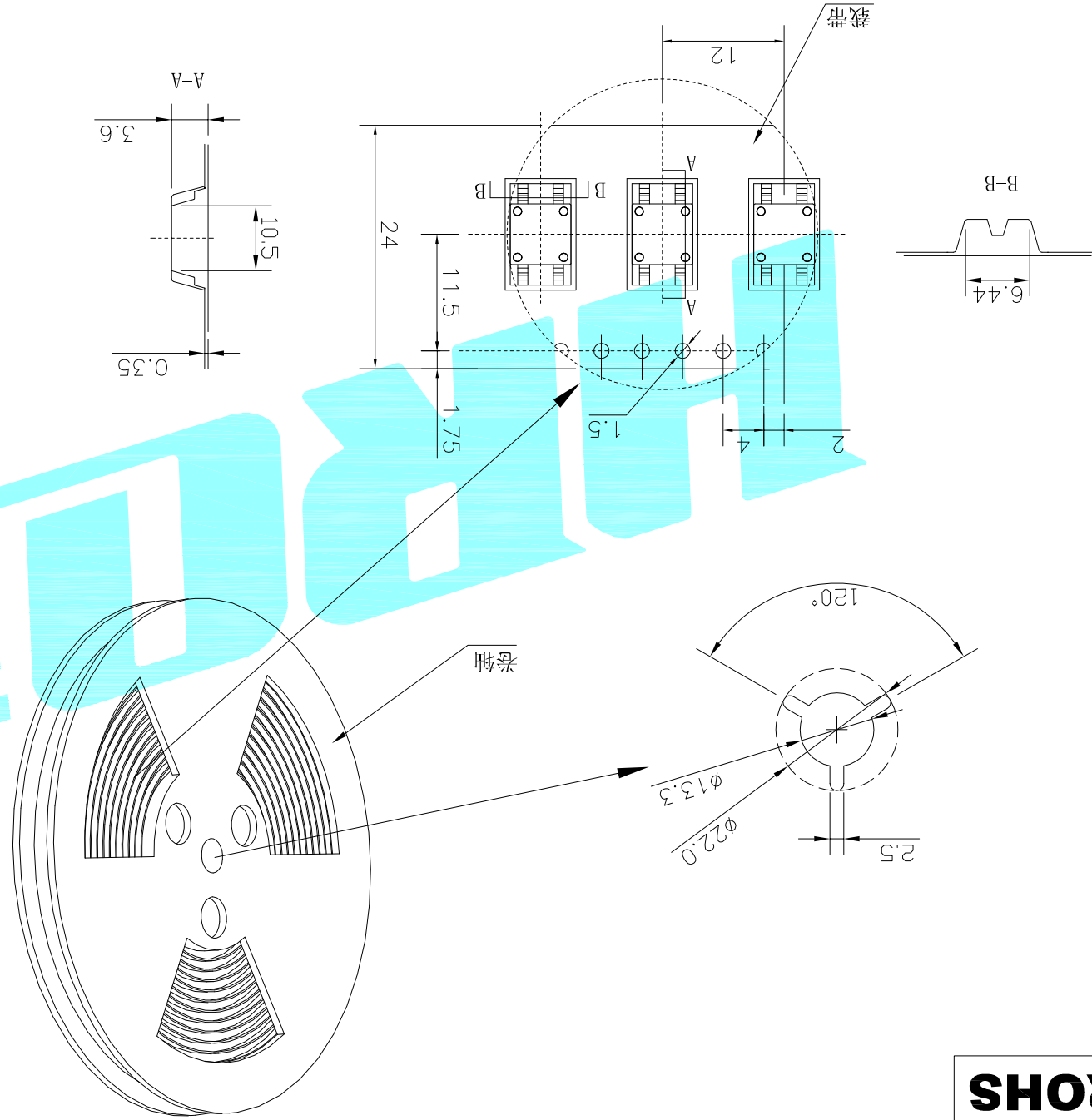
- 开关的方向如图1所示。
- 1、开关静止状态，接触脚C和接触脚D导通。
 - 2、向左旋转70°~90°度，接触脚A和接触脚C导通。
 - 3、向右旋转70°~90°度，接触脚B和接触脚D导通。
 - 4、向左旋转160°~180°度，接触脚A和接触脚B导通。
 - 5、向右旋转160°~180°度，接触脚A和接触脚B导通。

在图二中，以中心线作为轴并旋转70°~90°度，相邻的两只接触脚导通。



图二：

| | | | | | | | | | | | | |
|---------|-----------|---------|--------------|----------|-----------|--------|----------------|---------------------|---------------|-------------|-------------|--|
| ECN NO. | REV. | DATE. | DESCRIPTION. | CHANGE. | CHECK. | APPRO. | TOLERANCES ARE | | | | | |
| _____ | A | _____ | NEW | _____ | _____ | _____ | ±0.30 30~以上 | ±0.20 10~30 | ±0.15 5~10 | ±0.10 ~5 | DRAWING NO. | |
| | | | | | | | ANGLE | UNIT: mm | SCALE: 1:1 | PROJECT | | |
| | | | | | | | PART NO. | K5-1672SN-01 | | APPROVALS | | |
| | | | | | | | TITLE: | DETECTOR SWITCHS | | CHECKED | | |
| | | | | | | | DATE | ELECTRONICS CO.,LTD | | DRAWN | | |
| | | | | | | | APPROVALS | 2018/8/1 | | J.X.Zhang | | |
| ITEM | PART NAME | TER'NO. | QTY. | MATERIAL | FINISHING | REMARK | APPROVALS | | | | | |
| | | | | | | | DATE | | | | | |



| 项目 | 说明 |
|----|-----|
| 包装 | 卡通箱 |
| 转轴 | 聚丙烯 |
| 载带 | 聚丙烯 |

成品每卷包装数量1000PCS。

包装规格

| ITEM | PART NAME | TER.NO. | QTY. | MATERIAL | FINISHING | REMARK |
|--------------------------|-----------|---------|------|----------|-----------|--------|
| | | | | | | |
| APPROVALS | | | | | | |
| DRAWN J.X.Zhang 2018/8/1 | | | | | | |
| ELECTRONICS CO.,LTD | | | | | | |
| CHECKED | | | | | | |
| TITLE: DETECTOR SWITCHS | | | | | | |
| PART NO. K5-1672SN-01 | | | | | | |
| APPROVALS | | | | | | |
| TOLERANCES ARE | | | | | | |
| ±2° | | | | | | |
| ±0.10 | | | | | | |
| ±0.15 | | | | | | |
| ±0.20 | | | | | | |
| ±0.30 | | | | | | |
| 30~以上 | | | | | | |
| 10~30 | | | | | | |
| 5~10 | | | | | | |
| ~5 | | | | | | |
| DRAWING NO. | | | | | | |
| UNIT: mm | | | | | | |
| SCALE: 1:1 | | | | | | |
| PROJ. | | | | | | |
| SHEET 1 OF 1 | | | | | | |

X-ON Electronics

Largest Supplier of Electrical and Electronic Components

Click to view similar products for [Basic / Snap Action Switches](#) category:

Click to view products by [HRO parts manufacturer](#):

Other Similar products are found below :

[83228001](#) [01.098.1358.1](#) [602EN1-6B](#) [602EN532](#) [602EN535-RB](#) [602HE5-RB1](#) [604HE162](#) [604HE223-6B](#) [624HE17-RB](#) [6HM89](#) [6PA78-JM](#)
[6SE1](#) [6SX1-H58](#) [70500840](#) [MBD5B1](#) [MBH2731](#) [73-316-0012](#) [79211759](#) [79211923](#) [79218589](#) [7AS12](#) [ML-1155](#) [ML-1376](#) [831010C3.0](#)
[831060C3.TL](#) [831090C2.EL](#) [83131904](#) [84212012](#) [8AS239](#) [8HM73-3](#) [903VB1-PG](#) [914CE1-6G](#) [PL-100](#) [11SM1077-H4](#) [11SM1077-H58](#)
[11SM1-TN107](#) [11SM405](#) [11SM703-T](#) [11SM8423-H2](#) [11SX37-T](#) [11SX48-H58](#) [11SX55-H58](#) [11SM2442-T](#) [11SM76-T](#) [11SM77-H58](#)
[11SM77-T](#) [11SM863-T](#) [11SM866](#) [11SX47-H58](#) [A7CN-1M-1-LEFT](#)