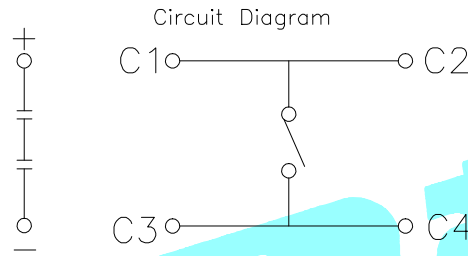
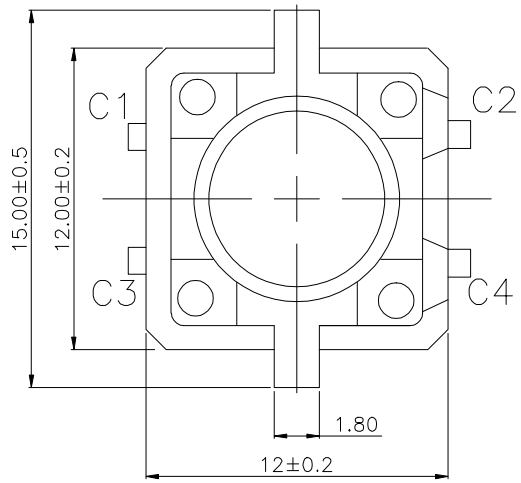
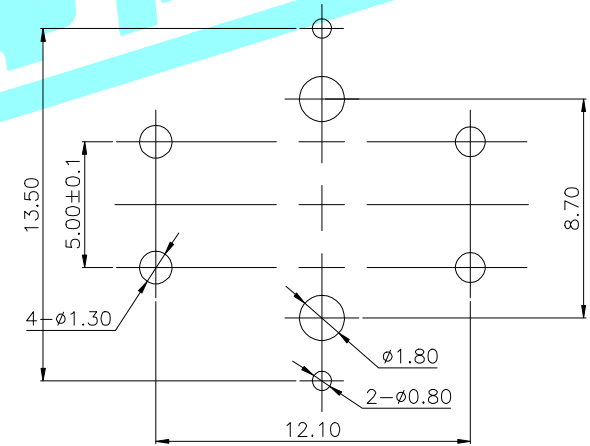
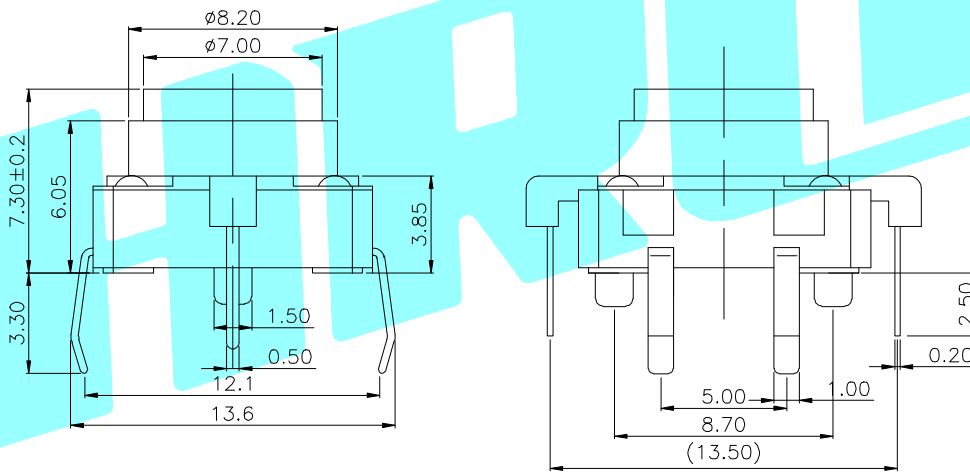


ROHS



LEDcolour(LED颜色)	Part No.(料号)
White(白色)	K6-1212A01
Red(红色)	K6-1212A02
Blue(蓝色)	K6-1212A03
Green(绿色)	K6-1212A04
Yellow(黄色)	K6-1212A05
Orange(橙色)	K6-1212A06



Typical Specifications

1. Rating : DC 12V 50mA
2. Operating Force : 250 ± 50 gf
3. Contact Resistance : 100mΩMAX
4. Life : 200,000 Cycles Min
5. LED Life: 100,000 Hour Min

PCBLAYOUT(pattern Side)

ITEM	PART NAME	TER'NO.	QTY.	MATERIAL	FINISHING	REMARK
②	Terminal	—	—	Phosphor bronze	Ag Plating	—
①	Housing	—	—	Nylon	Black	—
APPROVALS		DATE		 ELECTRONICS CO.,LTD		
DRAWN	QIFEEG.XU	2013/11/11				
CHECKED				TITLE:		LED Tact Switch
APPROVALS				PART NO.		K6-1212A
TOLERANCES ARE		30~∅上 10~30 ±0.30 ±0.20	±0.15	ANGLE	UNIT: mm	SCALE: 1:1
		5~10 ~ 5	±0.10	±2'	DRAWING NO.	PROJ: SHEET 1 OF 1

ECN NO.	REV.	DATE.	DESCRIPTION.	CHANGE.	CHECK.	APPRO.
	A		NEW			

X-ON Electronics

Largest Supplier of Electrical and Electronic Components

Click to view similar products for [Optical Switches, Reflective, Photo IC Output](#) *category:*

Click to view products by [HRO parts manufacturer:](#)

Other Similar products are found below :

[GP2A240LCS0F](#) [AEDR-8300-1W1](#) [AEDR-83001K2](#) [AEDR-83001P2](#) [C3012-TW-B-V](#) [C3012-TW-R-V](#) [GP2A230LRSF](#) [C128973](#)
[C128975](#) [K6-1212A-04](#) [K6-6136D-L1-04](#) [K6-6151S02](#) [K6-6271D-02](#) [K6-8859D-04](#) [EE-SG3M](#) [EE-SPY801](#) [EE-SPY802](#) [EE-SY1201](#) [EE-](#)
[SY310](#) [EE-SY410](#) [GP2A200LCS0F](#) [GP2A200LCSCF](#) [GP2A25J0000F](#) [SR-0609-07](#) [TLLAG-72BPG-R1SH1-V-A](#) [OPB715Z](#) [OPB716Z](#)
[OPB718Z](#) [OPB720A-06Z](#) [OPB720A-30VZ](#) [OPB720B-06Z](#) [OPB720B-12Z](#) [OPB770TZ](#) [OPB771TZ](#) [OPB773TZ](#)