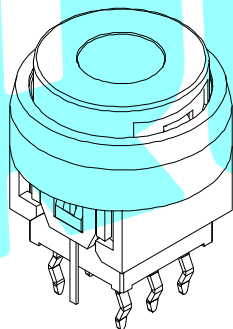
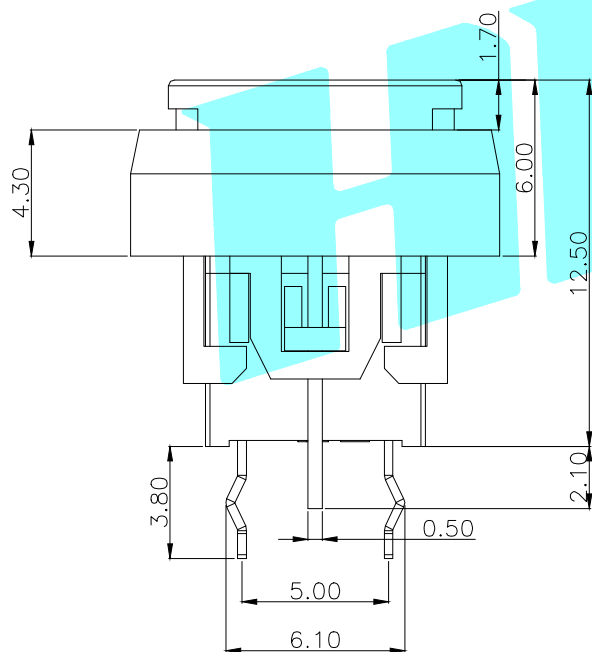
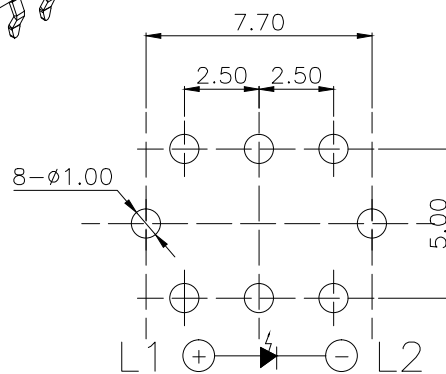


| Color | VR | IF | Recommended Operating | IF | |
|--------|------|------|-----------------------|------|------|
| | | | | Nom | Max |
| White | DC5V | 20mA | 20mA | 3.0V | 3.6V |
| Red | DC5V | 20mA | 20mA | 1.7V | 2.4V |
| Yellow | DC5V | 20mA | 20mA | 1.9V | 2.4V |
| Blue | DC5V | 20mA | 20mA | 3.0V | 3.6V |
| Green | DC5V | 20mA | 20mA | 1.9V | 2.4V |



PCBLayout(Pattern Side)



| LED colour(LED颜色) | Part No. 料号 |
|---------------------|----------------|
| White(白色) | K6-6136D-□□-01 |
| Red(红色) | K6-6136D-□□-02 |
| Blue(蓝色) | K6-6136D-□□-03 |
| Green(绿色) | K6-6136D-□□-04 |
| Yellow(黄色) | K6-6136D-□□-05 |
| Yellow/White(黄色/白色) | K6-6136D-□□-11 |

| NO. | Operating Type | Part No. |
|-----|------------------|----------------|
| 1 | Push To Lock(自锁) | K6-6136D-L1-□□ |
| 2 | Push No Lock(无锁) | K6-6136D-N1-□□ |

| | | | | | | |
|------|-----------|---------|-----------------|------------|-----------|--------|
| ② | Terminal | 3 | Phosphor bronze | Au Plating | | |
| ① | Housing | 1 | Nylon | Black | | |
| ITEM | PART NAME | TER'NO. | QTY. | MATERIAL | FINISHING | REMARK |

| APPROVALS | | DATE | HRO 翰睿® ELECTRONICS CO.,LTD | | |
|----------------|-----------|-------------|--------------------------------|-----------------|--------------|
| DRAWN | J.X.Zhang | 2013/11/11 | TITLE: | LED Tact Switch | |
| CHECKED | | | PART NO. | K6-6136D-□□-□□ | |
| APPROVALS | | | UNIT: mm | SCALE: 1:1 | PROJ: |
| TOLERANCES ARE | | 30~以上 ±0.30 | ANGLE | DRAWING NO. | SHEET 1 OF 1 |
| | | 10~30 ±0.20 | | | |
| | | 5~10 ±0.15 | | | |
| | | ~ 5 ±0.10 | | | |

| ECN NO. | REV. | DATE. | DESCRIPTION. | CHANGE. | CHECK. | APPRO. |
|---------|------|-------|--------------|---------|--------|--------|
| | A | | NEW | | | |

X-ON Electronics

Largest Supplier of Electrical and Electronic Components

Click to view similar products for [Optical Switches, Reflective, Photo IC Output](#) *category:*

Click to view products by [HRO parts](#) *manufacturer:*

Other Similar products are found below :

[GP2A240LCS0F](#) [ITR1502SR40A/TR8](#) [ITR1204SR10A/TR\(BY\)](#) [AEDR-8300-1W2](#) [AEDR-8501-102](#) [AEDR-83001K2](#) [AEDR-83001P2](#)
[AEDR-8300-1Q2](#) [AEDR-8710-102](#) [C3012-TW-B-V](#) [C3012-TW-R-V](#) [ML6-H4KA2VA](#) [GP2A230LRSF](#) [C128973](#) [C128975](#) [K6-1212A-04](#)
[K6-6136D-L1-04](#) [K6-6151S02](#) [K6-6271D-02](#) [K6-8859D-04](#) [EE-SG3M](#) [EE-SA801R 1M](#) [EE-SPY801](#) [EE-SPY802](#) [EE-SY1201](#) [EE-SY310](#)
[EE-SY410](#) [GP2A200LCS0F](#) [GP2A25J0000F](#) [SR-0609-07](#) [TLLAG-72APG-R1KH1-V-A](#) [OPB715Z](#) [OPB716Z](#) [OPB718Z](#) [OPB720A-06Z](#)
[OPB720A-30VZ](#) [OPB720B-06Z](#) [OPB720B-12Z](#) [OPB760N](#) [OPB770TZ](#) [OPB771TZ](#) [OPB773TZ](#)