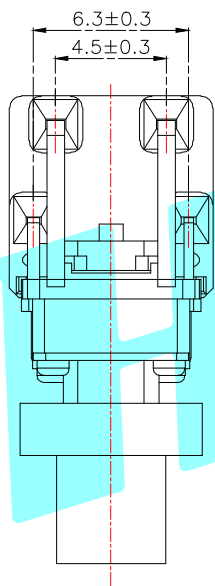
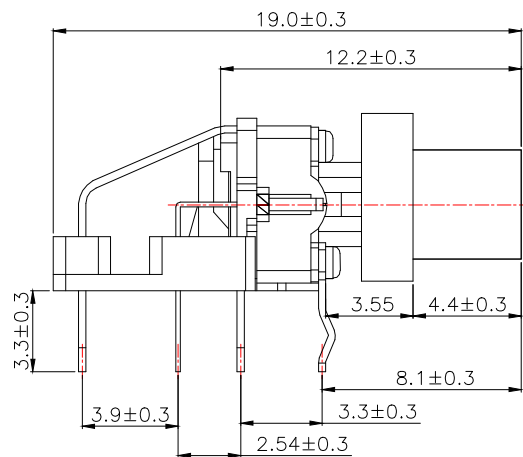
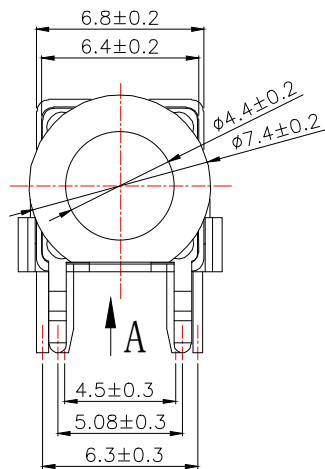
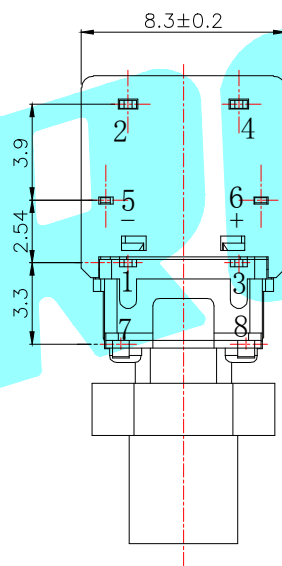


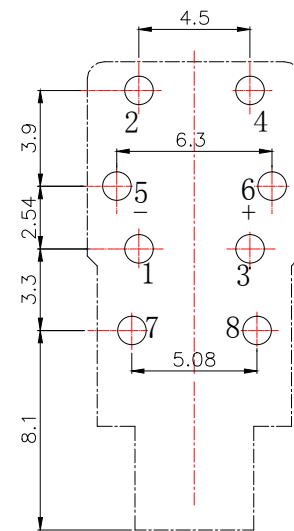
ROHS



A向旋转



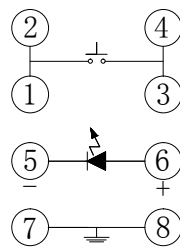
| LED colour(LED颜色) | Part No. 料号 |
|--------------------------|-------------|
| Whiler(白色) | K6-6156F-01 |
| Red(红色) | K6-6156F-02 |
| Blue(蓝色) | K6-6156F-03 |
| Green(绿色) | K6-6156F-04 |
| Yellow(黄色) | K6-6156F-05 |
| Orange(橙色) | K6-6156F-06 |
| Jade green(翠绿色) | K6-6156F-07 |
| Yellow/Green(黄/绿色) | K6-6156F-45 |
| Red/Blue(红/蓝色) | K6-6156F-23 |
| Red/Green(红/绿色) | K6-6156F-24 |
| Yellow/Jade green(黄/翠绿色) | K6-6156F-57 |



PCBLayout(Top view)

Typical Specifications

1. Rating : DC 30V 30mA
2. Insulation Resistance : 100mΩ Min
3. Dielectric Strength : AC 250V for 1 minute
4. Operating Force : 260±50 gf
5. Contact Resistance : 50mΩ MAX
6. Life : 100,000 Cycles Min



Circuit Diagram

| ITEM | PART NAME | TER'NO. | QTY. | MATERIAL | FINISHING | REMARK |
|------|-----------|---------|------|-----------|-------------|--------|
| ⑦ | Contact | — | 1 | SUS | — | — |
| ⑥ | Cover | — | 1 | PA66 | White | — |
| ⑤ | LED | — | 1 | GaASP/GaP | — | — |
| ④ | Terminal | — | 8 | Brass | Ag Plating | — |
| ③ | Base | — | 1 | PA66 | Black | — |
| ② | Button | — | 1 | PA66 | White | — |
| ① | Cap | — | 1 | PC | Transparent | — |

| APPROVALS | | DATE | HRO 皓泰® ELECTRONICS CO.,LTD | | | |
|-----------|--------|------------|--------------------------------|-------------------------------|----------------------------------|--------------|
| DRAWN | LIUCAN | 2021.09.06 | TITLE: | LED Tact Switch | | |
| CHECKED | | | PART NO. | K6-6156F-□□ | | |
| APPROVALS | | | TOLERANCES ARE | 30~以上 10~30 5~10 ~ 5 | ±0.30 ±0.20 ±0.15 ±0.10 | ANGLE ±2' |
| UNIT: | mm | SCALE: | 1:1 | PROJECT: | DRAWING NO. | |
| SHEET | | | 1 OF 1 | | | |

| ECN NO. | REV. | DATE. | DESCRIPTION. | CHANGE. | CHECK. | APPRO. |
|---------|------|-------|--------------|---------|--------|--------|
| | A | | NEW | | | |

X-ON Electronics

Largest Supplier of Electrical and Electronic Components

Click to view similar products for [Tactile Switches](#) category:

Click to view products by [HRO parts](#) manufacturer:

Other Similar products are found below :

[5GTH92001](#) [5GTH9202242](#) [6407-250V-25273P](#) [ADTSA62NV](#) [ADTSA62RV](#) [B3F-3123](#) [1977177-8](#) [1977266-1](#) [ADTSA63NV](#)
[ADTSM21NSVTR](#) [ADTSM25RVTR](#) [ADTSM32NVTR](#) [ADTSMW64RV](#) [FSMRA4JHA04](#) [GS4.70F300QP](#) [KSC241J SP DELTA LFS](#)
[3FTL600RAS](#) [3FTL640RAS](#) [Y96K132V0FPLFS](#) [5GTH9658222](#) [6407-250V-25343P](#) [ADTSM31NVTR](#) [2-1977120-7](#) [TSJW-5.2-260-TR](#)
[KMT011MNGJLHS](#) [B3WN6002S](#) [70-201.0](#) [ADTSG648NV](#) [ADTSM62KSVTR](#) [ADTSM648NV](#) [95C06E3RAT](#) [5GTH96561](#) [3ATH9Q](#)
[FSMRA8JHA04](#) [HARS0073](#) [Y33R411N9FPLFT](#) [Y31C01402FPLFS](#) [PTS645SK50SMTR92](#) [ADTSM32NVB](#) [KMS233GPWTLFG](#)
[Y78B64124FP](#) [Y96D113G0FP LFS](#) [Y33A812C5FP LFT](#) [Y56B2D120FP LFS](#) [PTS645 DVM83-BN125-2 LFS](#) [B3W 1000G](#) [KSC621G OL](#)
[LFS](#) [B3F 1002C](#) [B3F 0047H](#) [B3F 1000G](#)