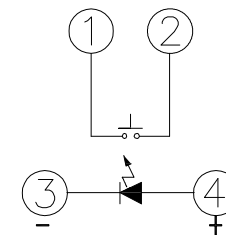
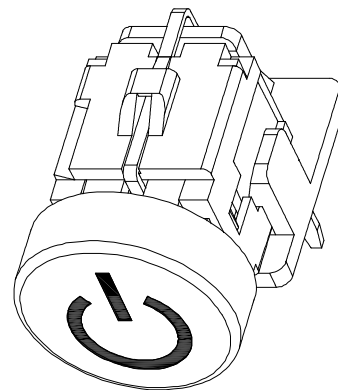
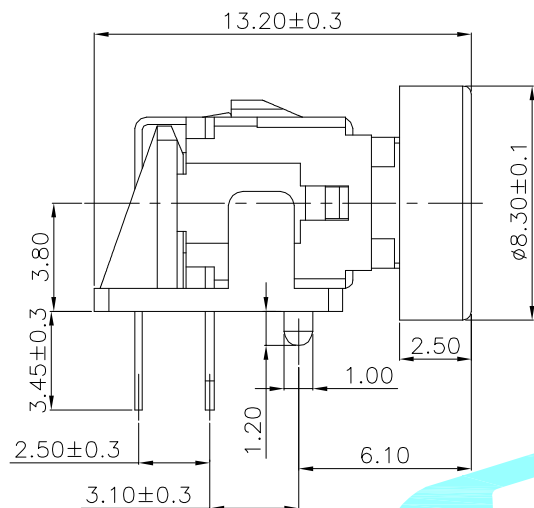
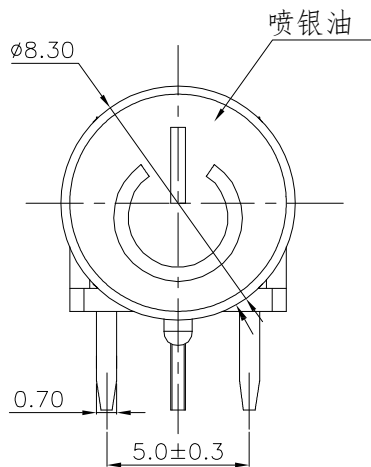
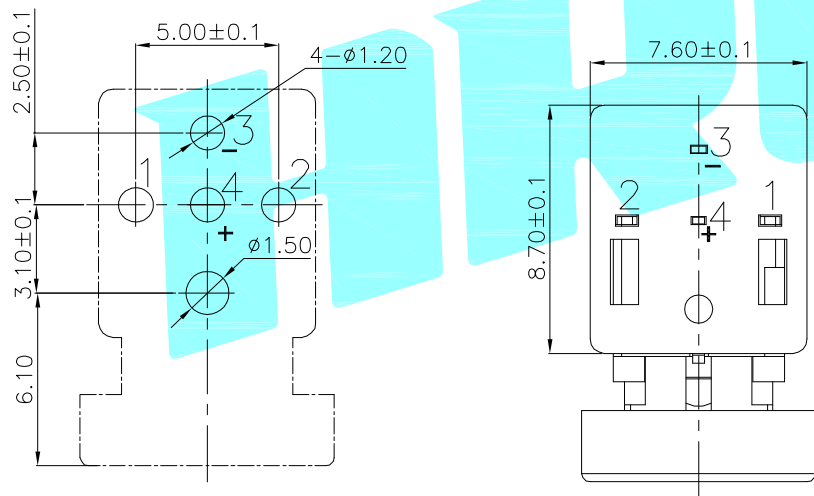


ROHS



Circuit Diagram



PCBLayout(pattern Side)

LED colour(LED颜色)	Part No. (料号)
Whiter(白色)	K6-6277D-01
Red(红色)	K6-6277D-02
Blue(蓝色)	K6-6277D-03
Green(绿色)	K6-6277D-04
Yellow(黄色)	K6-6277D-05
Orange(橙色)	K6-6277D-06
Jade Green(翠绿色)	K6-6277D-07
Red(红色)/Blue(蓝色)	K6-6277D-23

Typical Specifications

- 1. Rating : DC 30V 0.3A
- 2. Operating Force : 250 ± 50 gf
- 3. Contact Resistance : 100mΩMAX
- 4. Life : 100,000 Cycles Min

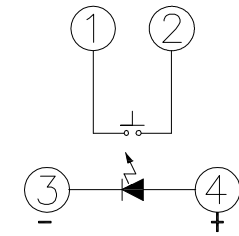
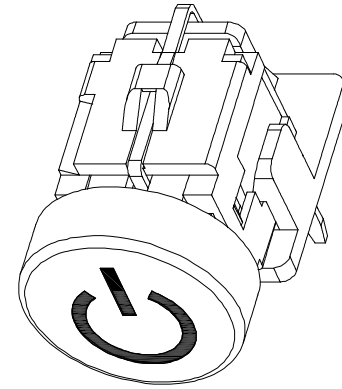
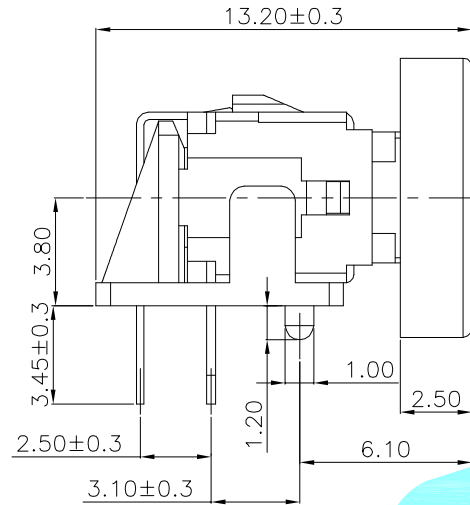
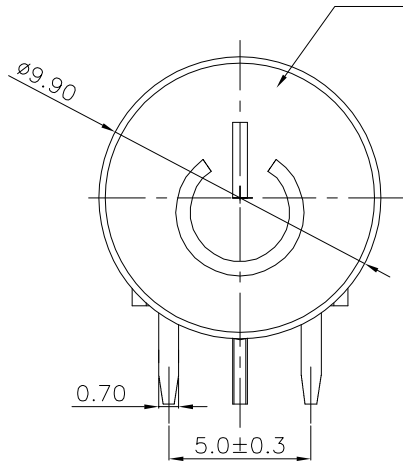
②	Terminal	4	Phosphor bronze	Au Plating		
①	Housing	1	Nylon	Black		
ITEM	PART NAME	TER'NO.	QTY.	MATERIAL	FINISHING	REMARK

APPROVALS		DATE		 ELECTRONICS CO.,LTD			
DRAWN	J.X.Zhang	2018/08/01					
CHECKED				TITLE: LED Tact Switch			
APPROVALS				PART NO. K6-6277D-□□			
TOLERANCES ARE		30~以上	±0.30	ANGLE	UNIT: mm	SCALE: 1:1	PROJ:
		10~30	±0.20				
		5~10	±0.15				
		~ 5	±0.10	±2'	DRAWING NO.		SHEET 1 OF 1

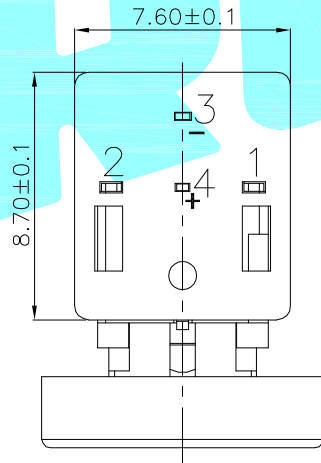
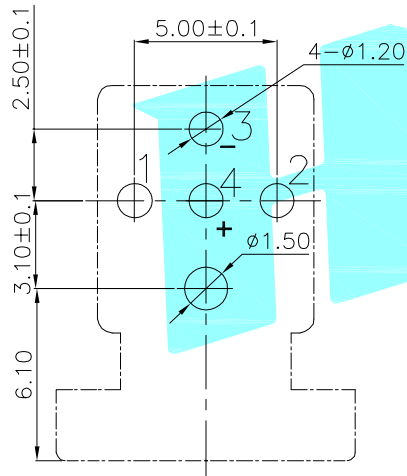
_____	A	_____	NEW	_____	_____	_____
ECN NO.	REV.	DATE.	DESCRIPTION.	CHANGE.	CHECK.	APPRO.

ROHS

喷银油，加大帽子加尾缀A



Circuit Diagram



PCBLayout(pattern Side)

LED colour(LED颜色)	Part No. (料号)
Whiter(白色)	K6-6277D-01A
Red(红色)	K6-6277D-02A
Blue(蓝色)	K6-6277D-03A
Green(绿色)	K6-6277D-04A
Yellow(黄色)	K6-6277D-05A
Orange(橙色)	K6-6277D-06A
Jade Green(翠绿色)	K6-6277D-07A
Red(红色)/Blue(蓝色)	K6-6277D-23A

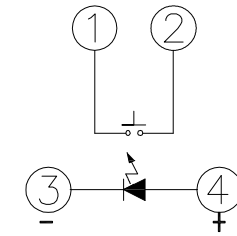
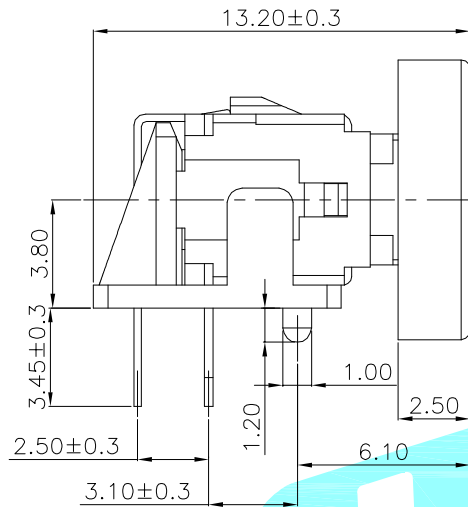
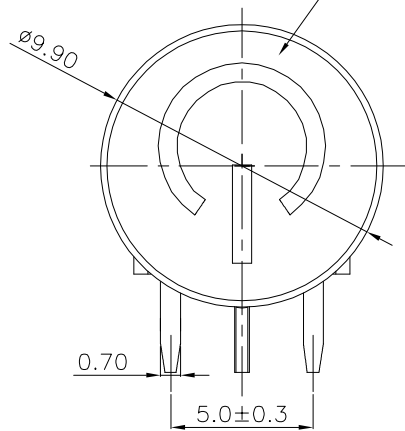
Typical Specifications

1. Rating : DC 30V 0.3A
2. Operating Force : 250 ± 50 gf
3. Contact Resistance : 100mΩMAX
4. Life : 100,000 Cycles Min

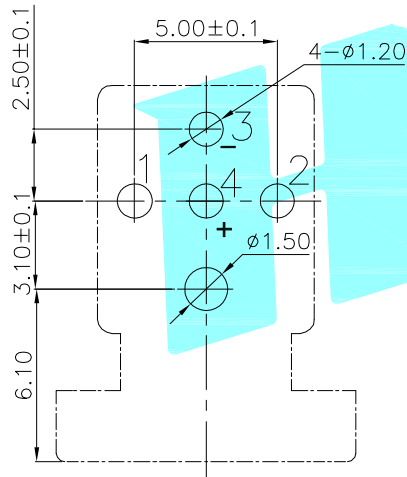
②	Terminal	4	Phosphor bronze	Au Plating		
①	Housing	1	Nylon	Black		
ITEM	PART NAME	TER'NO.	QTY.	MATERIAL	FINISHING	REMARK
APPROVALS			DATE		 ELECTRONICS CO.,LTD	
DRAWN	J.X.Zhang	2018/08/01		TITLE: 加大款, 银色帽子		
CHECKED					PART NO. K6-6277D-□□A	
APPROVALS						
TOLERANCES ARE		30~以上 10~30 5~10 ~ 5	±0.30 ±0.20 ±0.15 ±0.10	ANGLE	UNIT: mm	SCALE: 1:1
ECN NO.	REV.	DATE.	NEW DESCRIPTION.	CHANGE.	CHECK.	APPRO.
DRAWING NO.				SHEET 1 OF 1		

ROHS

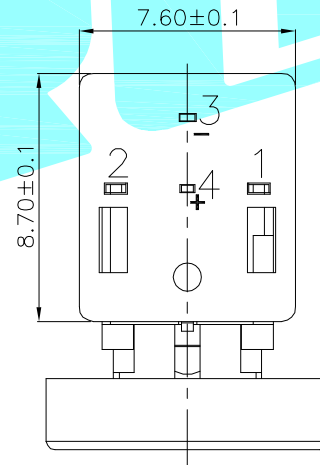
喷黑油，电源符号缺口朝下，尾缀B



Circuit Diagram



PCBLayout(pattern Side)



LED colour(LED颜色)	Part No. (料号)
Whiter(白色)	K6-6277D-01B
Red(红色)	K6-6277D-02B
Blue(蓝色)	K6-6277D-03B
Green(绿色)	K6-6277D-04B
Yellow(黄色)	K6-6277D-05B
Orange(橙色)	K6-6277D-06B
Jade Green(翠绿色)	K6-6277D-07B
Red(红色)/Blue(蓝色)	K6-6277D-23B

Typical Specifications

1. Rating : DC 30V 0.3A
2. Operating Force : 250 ± 50 gf
3. Contact Resistance : 100mΩMAX
4. Life : 100,000 Cycles Min

ITEM	PART NAME	TER'NO.	QTY.	MATERIAL	FINISHING	REMARK
②	Terminal	4		Phosphor bronze	Au Plating	
①	Housing	1		Nylon	Black	

APPROVALS		DATE		HRO 翰睿® ELECTRONICS CO.,LTD		
DRAWN	LIUCAN	2022.8.15		TITLE:	黑帽，电源符号朝下	
CHECKED				PART NO.	K6-6277D-□□B	
APPROVALS				UNIT: mm	SCALE: 1:1	PROJ:
TOLERANCES ARE		30~以上 ±0.30	10~30 ±0.20	ANGLE	UNIT: mm	SCALE: 1:1
		5~10 ±0.15	~ 5 ±0.10	±2'	DRAWING NO.	SHEET 1 OF 1

ECN NO.	REV.	DATE.	DESCRIPTION.	CHANGE.	CHECK.	APPRO.
	A		NEW			

X-ON Electronics

Largest Supplier of Electrical and Electronic Components

Click to view similar products for [Tactile Switches](#) category:

Click to view products by [HRO parts](#) manufacturer:

Other Similar products are found below :

[6407-250V-25273P](#) [ADTSA62NV](#) [B3F-3123](#) [1977177-8](#) [1977266-1](#) [ADTSA63NV](#) [ADTSM21NSVTR](#) [ADTSM25RVTR](#) [ADTSM32NVTR](#)
[ADTSMW64RV](#) [1977120-6](#) [FSMRA4JHA04](#) [GS4.70F300QP](#) [KSC241J SP DELTA LFS](#) [3FTL600RAS](#) [3FTL640RAS](#) [6407-250V-25343P](#)
[ADTSM31NVTR](#) [2-1977120-7](#) [TSJW-5.2-260-TR](#) [Y651050400P](#) [KMT011MNGJLHS](#) [70-201.0](#) [ADTSG648NV](#) [ADTSM62KSVTR](#)
[ADTSM648NV](#) [95C06E3RAT](#) [3ATH9Q](#) [FSMRA8JHA04](#) [HARS0073](#) [Y33R411N9FPLFT](#) [Y33R51139FPLFT](#) [Y31C01402FPLFS](#)
[PTS645SK50SMTR92](#) [ADTSM32NVB](#) [KMS233GPWTLFG](#) [Y78B64124FP](#) [Y31CJ244KFP LFS](#) [Y96D113G0FP LFS](#) [Y33A812C5FP LFT](#)
[Y56B2D120FP LFS](#) [Y31C5144KFP LFS](#) [PTS645 DVM83-BN125-2 LFS](#) [B3W 1000G](#) [KSC621G OL LFS](#) [B3F 1002C](#) [B3F 0047H](#) [B3W](#)
[1002C](#) [B3F 5001G](#) [B3W 1100C](#)