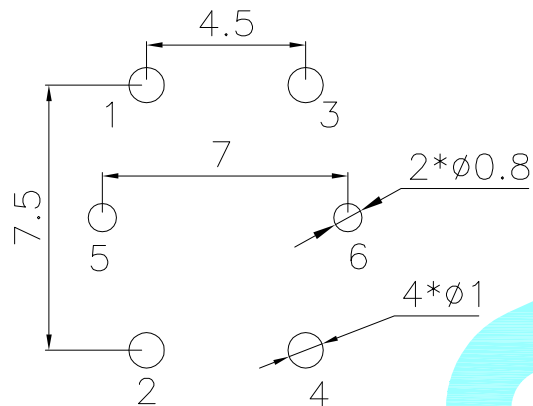
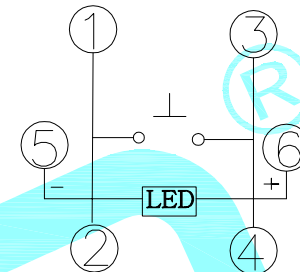


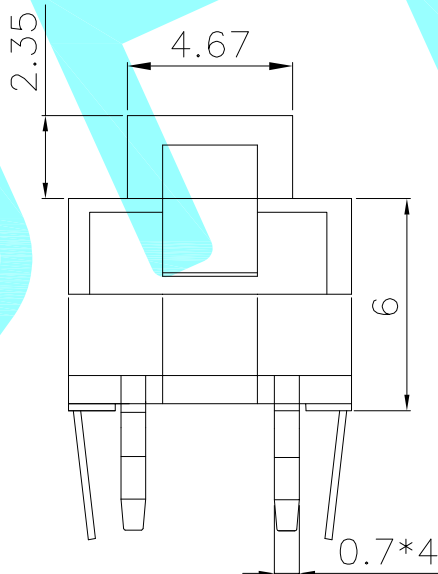
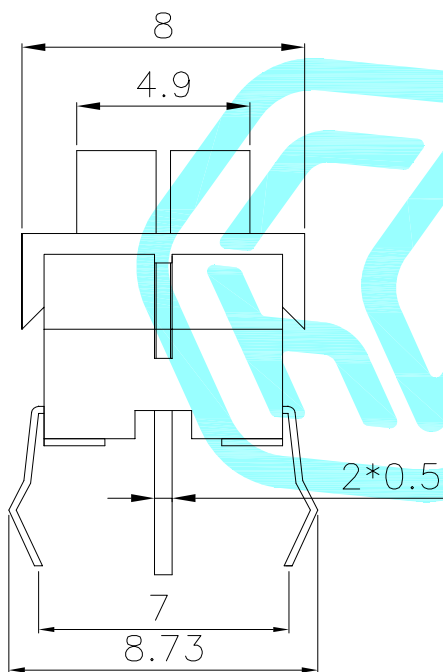
PCB Layout(Pattern Side)



Circuit Diagram



LED colour(LED颜色)	Part No. (料号)
Whiler(白色)	K6-8859D-01
Red(红色)	K6-8859D-02
Blue(蓝色)	K6-8859D-03
Green(普绿)	K6-8859D-04



Typical Specifications
 1.Rating : DC 12V 50mA
 2.Operating Force : 250 ± 50 gf
 3.Contact Resistance : 100mΩMAX
 4.Life : 100,000 Cycles Min

⑦	LED	—	1	—	Transparent	—
⑥	Keystoke	—	1	PA66	White	—
⑤	Spring	—	1	Keystoke	Ag	—
④	Base	—	1	PA66	Black	—
③	Cover	—	1	PA66	Black	—
②	Terminal	—	6	Phosphor bronze	Ag Plating	—
①	Housing	—	1	Nylon	Black	—
ITEM	PART NAME	TER'NO.	QTY.	MATERIAL	FINISHING	REMARK

APPROVALS			DATE													
DRAWN	D.J.LV		2017/12/26				TITLE:	LED Tact Switch								
CHECKED					PART NO.	K6-8859D-□□										
APPROVALS					TOLERANCES ARE	<table border="1"> <tr> <td>30~∞</td> <td>±0.30</td> <td rowspan="4">ANGLE</td> <td rowspan="4">±2'</td> </tr> <tr> <td>10~30</td> <td>±0.20</td> </tr> <tr> <td>5~10</td> <td>±0.15</td> </tr> <tr> <td>~ 5</td> <td>±0.10</td> </tr> </table>	30~∞	±0.30	ANGLE	±2'	10~30	±0.20	5~10	±0.15	~ 5	±0.10
30~∞	±0.30	ANGLE	±2'													
10~30	±0.20															
5~10	±0.15															
~ 5	±0.10															
ECN NO.	REV.	DATE.	DESCRIPTION.	CHANGE.	CHECK.	APPRO.	UNIT: mm	SCALE: 1:1	PROJ:							
	A		NEW				DRAWING NO.		SHEET 1 OF 1							

ECN NO.	REV.	DATE.	DESCRIPTION.	CHANGE.	CHECK.	APPRO.
	A		NEW			

X-ON Electronics

Largest Supplier of Electrical and Electronic Components

Click to view similar products for [Tactile Switches](#) category:

Click to view products by [HRO parts](#) manufacturer:

Other Similar products are found below :

[6407-250V-25273P](#) [ADTSA62NV](#) [B3F-3123](#) [1977177-8](#) [1977266-1](#) [ADTSA63NV](#) [ADTSM21NSVTR](#) [ADTSM25RVTR](#) [ADTSM32NVTR](#)
[ADTSMW64RV](#) [1977120-6](#) [FSMRA4JHA04](#) [GS4.70F300QP](#) [KSC241J SP DELTA LFS](#) [3FTL600RAS](#) [3FTL640RAS](#) [6407-250V-25343P](#)
[ADTSM31NVTR](#) [2-1977120-7](#) [TSJW-5.2-260-TR](#) [Y651050400P](#) [KMT011MNGJLHS](#) [70-201.0](#) [ADTSG648NV](#) [ADTSM62KSVTR](#)
[ADTSM648NV](#) [95C06E3RAT](#) [3ATH9Q](#) [FSMRA8JHA04](#) [HARS0073](#) [Y33R411N9FPLFT](#) [Y33R51139FPLFT](#) [Y31C01402FPLFS](#)
[PTS645SK50SMTR92](#) [ADTSM32NVB](#) [KMS233GPWTLFG](#) [Y78B64124FP](#) [Y31CJ244KFP LFS](#) [Y96D113G0FP LFS](#) [Y33A812C5FP LFT](#)
[Y56B2D120FP LFS](#) [Y31C5144KFP LFS](#) [PTS645 DVM83-BN125-2 LFS](#) [B3W 1000G](#) [KSC621G OL LFS](#) [B3F 1002C](#) [B3F 0047H](#) [B3W](#)
[1002C](#) [B3F 5001G](#) [B3W 1100C](#)