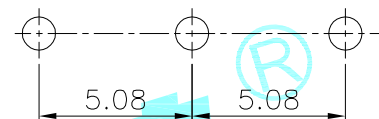
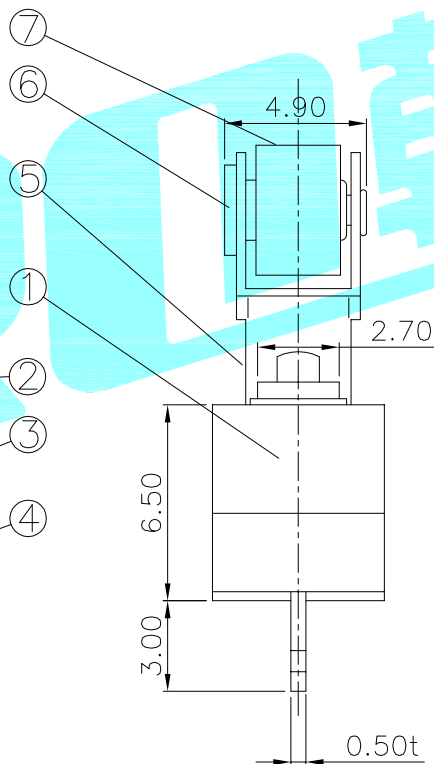
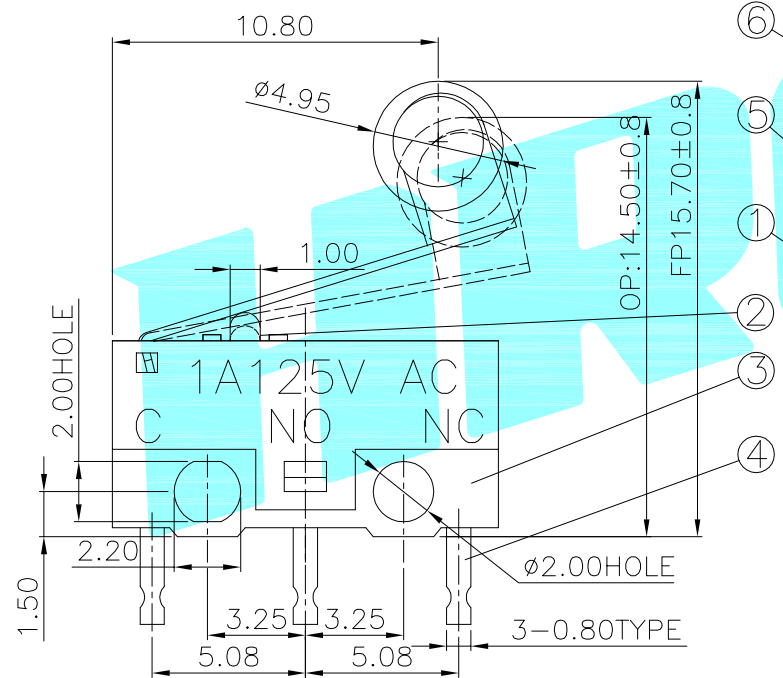


Circuit Diagram



P.C.B layout



NOTE:
 1. Rating: DC30V 0.1A
 2. OP: 14.5±0.8
 3. Operating force: 30±15gf
 4. Mechanical Life: 3,000,000

| ITEM | PART NAME | TER'NO. | QTY. | MATERIAL | FINISHING | REMARK |
|------|-----------|---------|------|--------------|----------------|--------|
| ⑧ | Contact | — | 1 | C1720 | Natural | — |
| ⑦ | Roller | — | 1 | POM | Natural | — |
| ⑥ | Shaft | — | 1 | Brass | Natural | — |
| ⑤ | Lever | — | 1 | SUS | Natural | — |
| ④ | Terminal | — | 3 | Brass(0.50t) | Plating silver | — |
| ③ | Housing | — | 1 | PA66 | White | — |
| ② | Knob | — | 1 | PBT | White | — |
| ① | Cover | — | 1 | PBT | Black | — |

| APPROVALS | | DATE | HRO 韓榮 ELECTRONICS CO.,LTD | | | |
|-----------|-----------|-----------|-------------------------------|-------------------------------|----------------------------------|--------------|
| DRAWN | J.X.Zhang | 2013/5/30 | TITLE: | MICRO SWITCHS | | |
| CHECKED | | | PART NO. | K9-1267DF | | |
| APPROVALS | | | TOLERANCES ARE | 30~以上 10~30 5~10 ~ 5 | ±0.30 ±0.20 ±0.15 ±0.10 | ANGLE ±2' |
| ECN NO. | REV. | DATE. | DESCRIPTION. | CHANGE. | CHECK. | APPRO. |

| ECN NO. | REV. | DATE. | DESCRIPTION. | CHANGE. | CHECK. | APPRO. |
|---------|------|-------|--------------|---------|--------|--------|
| | A | | NEW | | | |

| | | |
|-------------|------------|--------------|
| UNIT: mm | SCALE: 1:1 | PROJ: |
| DRAWING NO. | | SHEET 1 OF 1 |

X-ON Electronics

Largest Supplier of Electrical and Electronic Components

Click to view similar products for [Basic / Snap Action Switches](#) category:

Click to view products by [HRO parts manufacturer](#):

Other Similar products are found below :

[5SM901-S12](#) [5SM9-S12N195](#) [602EN532](#) [602EN535-RB](#) [602HE5-RB1](#) [604HE223-6B](#) [624HE17-RB](#) [6HM82](#) [6SE1](#) [6SX1-H58](#) [70500216](#)
[70599106](#) [71051](#) [714-0293](#) [MBH2731](#) [79211923](#) [79218589](#) [MIL30126AB6BBMD4A12XAU](#) [ML-1155](#) [ML-1376](#) [831010C3.0](#)
[831090C2.EL](#) [83131904](#) [84212012](#) [8AS239](#) [8HM73-3](#) [8SX26-H33](#) [914CE1-6G](#) [11SM1077-H4](#) [11SM1077-H58](#) [11SM1-TN107](#) [11SM405](#)
[11SM703-T](#) [11SM8423-H2](#) [11SX37-T](#) [11SX48-H58](#) [11SM2442-T](#) [11SM76-T](#) [11SM77-H58](#) [11SM77-T](#) [11SM863-T](#) [11SM866](#)
[A831700C7.0](#) [121EN188-R](#) [1245.0120](#) [125EN56-RB](#) [D433V3RD](#) [1267.0101](#) [1267.7101](#) [D4BFC1](#)