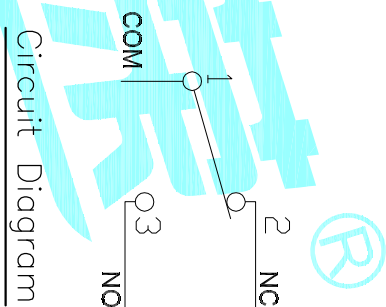
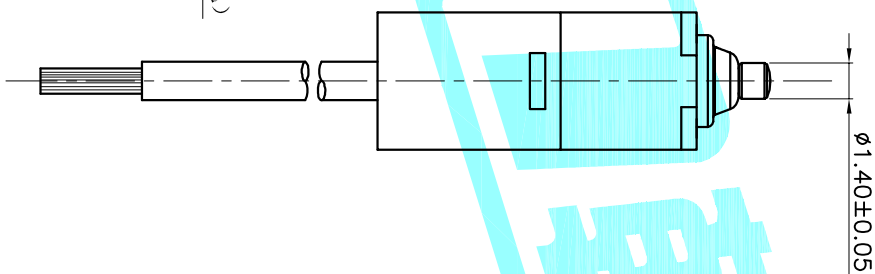
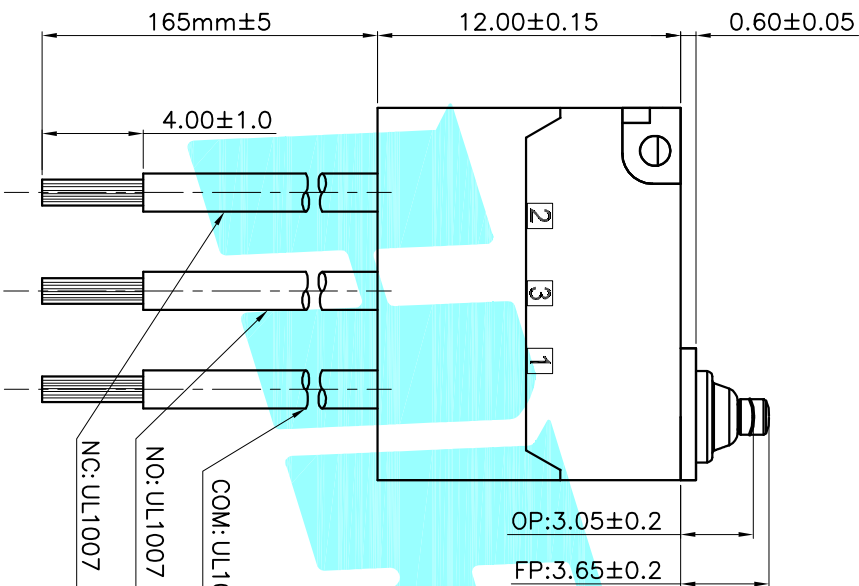
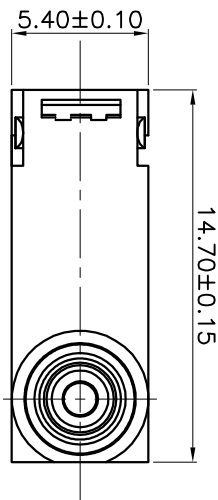


INGRESS PROTECTION:IP67



Circuit Diagram



- NOTE:
1. Rating:DC12V 3A
  2. Operating force:130gf MAX
  3. Mechanical Life:500,000

⑦	Shrapnel	—	1	Brass	—	—
⑥	Contact	—	1	Ag	—	—
⑤	Sealed Circle	—	1	Silicone Rubber	—	—
④	Terminal	—	3	Brass(0.50t)	Plating silver	—
③	Plunger	—	1	POM	White	—
②	Cose	—	1	PA	White	—
①	Cover	—	1	PA	Black	—
ITEM	PART NAME	TER'NO.	QTY.	MATERIAL	FINISHING	REMARK

APPROVALS	DATE	TITLE	PART NO.
DRAWN	J.X.Zhang	2018/8/1	MICRO SWITCHS
CHECKED			K9-1803A
APPROVALS			ELECTRONICS CO.,LTD

ECN NO.	REV.	DATE.	DESCRIPTION.	CHANGE.	CHECK.	APPRO.	TOLERANCES ARE	30±0.15	±0.30	ANGLE	10~30	±0.20	UNIT: mm	SCALE: 1:1	PROD.	SHEET 1 OF 1
	A		NEW				ARE	5~10	±0.15	±2°						

NO. : 1		NO. : 2	
A	B	C	D
E	F	G	H
I	J	K	L
M	N	1	2
3	4	5	6
7	8	9	10

 <b>ELECTRONICS CO.,LTD</b>		<b>MICRO SWITCHS</b> <b>K9-1803□-□</b>
DRAWN	DATE	TITLE:
J.X.Zhang	2018/8/1	MICRO SWITCHS
CHECKED		PART NO.
APPROVALS		K9-1803□-□
TOLERANCES ARE		SCALE: 1:1
30~0.15	±0.30	UNIT: mm
10~0.10	±0.20	PROJ. 
5~0.05	±0.15	SHEET 1 OF 1
ECN NO.	REV.	DATE.
	A	
DESCRIPTION: NEW		
CHANGE:	CHECK:	APPRO.

## X-ON Electronics

Largest Supplier of Electrical and Electronic Components

*Click to view similar products for [Basic / Snap Action Switches](#) category:*

*Click to view products by [HRO parts manufacturer](#):*

Other Similar products are found below :

[83228001](#) [01.098.1358.1](#) [602EN1-6B](#) [602EN532](#) [602EN535-RB](#) [602HE5-RB1](#) [604HE162](#) [604HE223-6B](#) [624HE17-RB](#) [6HM89](#) [6PA78-JM](#)  
[6SE1](#) [6SX1-H58](#) [70500840](#) [MBD5B1](#) [MBH2731](#) [73-316-0012](#) [79211759](#) [79211923](#) [79218589](#) [7AS12](#) [ML-1155](#) [ML-1376](#) [831010C3.0](#)  
[831060C3.TL](#) [831090C2.EL](#) [83131904](#) [84212012](#) [8AS239](#) [8HM73-3](#) [903VB1-PG](#) [914CE1-6G](#) [PL-100](#) [11SM1077-H4](#) [11SM1077-H58](#)  
[11SM1-TN107](#) [11SM405](#) [11SM703-T](#) [11SM8423-H2](#) [11SX37-T](#) [11SX48-H58](#) [11SX55-H58](#) [11SM2442-T](#) [11SM76-T](#) [11SM77-H58](#)  
[11SM77-T](#) [11SM863-T](#) [11SM866](#) [11SX47-H58](#) [A7CN-1M-1-LEFT](#)