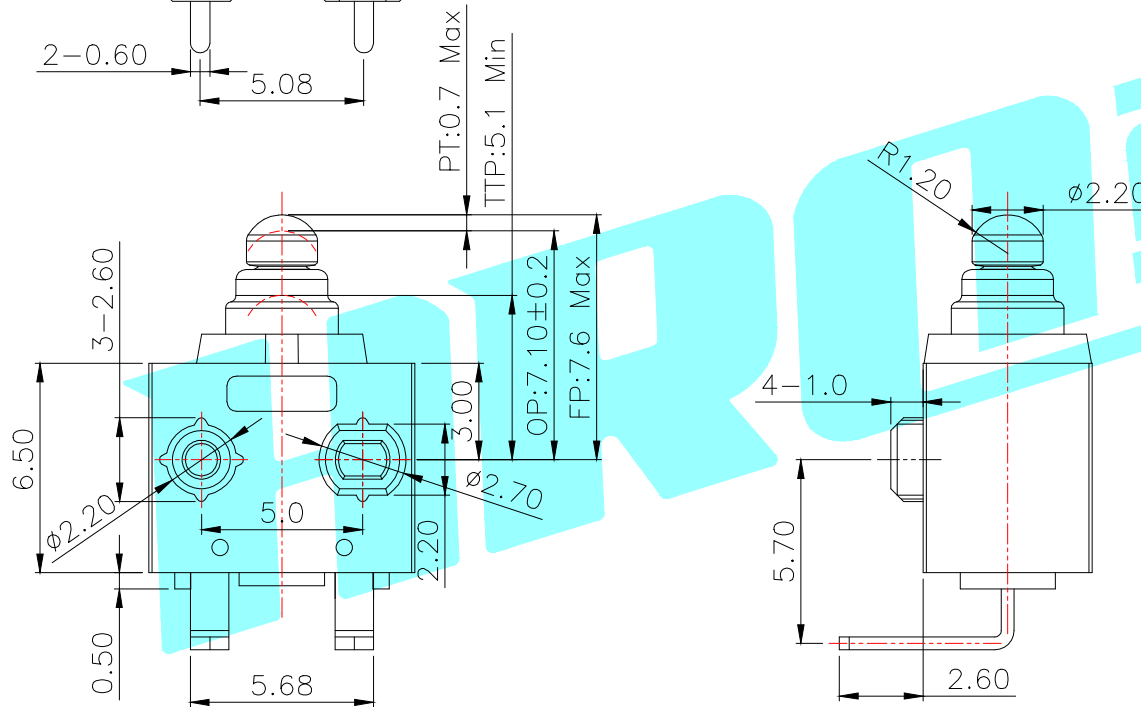


Circuit Diagram



NOTE:

- 1.Rating:DC12V 0.1A
- 2.Operating force:150gf MAX
- 3.Mechanical Life:10,000

INGRESS PROTECTION:IP67

| | | | | | | |
|------|---------------|---------|------|-----------------|----------------|--------|
| ⑥ | Shrapnel | — | 1 | Brass | Plating silver | — |
| ⑤ | Sealed Circle | — | 1 | Silicone Rubber | — | — |
| ④ | Terminal | — | 2 | Brass(0.50t) | Plating silver | — |
| ③ | Plunger | — | 1 | POM | Black | — |
| ② | Case | — | 1 | PA | Black | — |
| ① | Cover | — | 1 | PA | Black | — |
| ITEM | PART NAME | TER'NO. | QTY. | MATERIAL | FINISHING | REMARK |

| | | | | | | | | | | | | | | | | | | |
|-----------|--------|-----------|--------------|-----------------------------|--|--------|-------------|---------------|-------|-------|------|-------|-----|-------|-----|----------|------------|-------|
| APPROVALS | | DATE | | HRO ELECTRONICS CO.,LTD | | | | | | | | | | | | | | |
| DRAWN | LIUCAN | 2021.9.11 | | | | | TITLE: | MICRO SWITCHS | | | | | | | | | | |
| CHECKED | | | | PART NO. | K9-1804Y-□ | | | | | | | | | | | | | |
| APPROVALS | | | | TOLERANCES ARE | <table border="1"> <tr> <td>30~以上</td> <td>±0.30</td> <td rowspan="3">ANGLE</td> </tr> <tr> <td>10~30</td> <td>±0.20</td> </tr> <tr> <td>5~10</td> <td>±0.15</td> </tr> <tr> <td>~ 5</td> <td>±0.10</td> <td>±2'</td> </tr> </table> | 30~以上 | ±0.30 | ANGLE | 10~30 | ±0.20 | 5~10 | ±0.15 | ~ 5 | ±0.10 | ±2' | UNIT: mm | SCALE: 1:1 | PROJ: |
| 30~以上 | ±0.30 | ANGLE | | | | | | | | | | | | | | | | |
| 10~30 | ±0.20 | | | | | | | | | | | | | | | | | |
| 5~10 | ±0.15 | | | | | | | | | | | | | | | | | |
| ~ 5 | ±0.10 | ±2' | | | | | | | | | | | | | | | | |
| ECN NO. | REV. | DATE. | DESCRIPTION. | CHANGE. | CHECK. | APPRO. | DRAWING NO. | SHEET 1 OF 1 | | | | | | | | | | |

| | | | | | | |
|---------|------|-------|--------------|---------|--------|--------|
| ECN NO. | REV. | DATE. | DESCRIPTION. | CHANGE. | CHECK. | APPRO. |
| | A | | NEW | | | |

X-ON Electronics

Largest Supplier of Electrical and Electronic Components

Click to view similar products for [Basic / Snap Action Switches](#) category:

Click to view products by [HRO parts manufacturer](#):

Other Similar products are found below :

[5SM901-S12](#) [5SM9-S12N195](#) [602EN532](#) [602EN535-RB](#) [602HE5-RB1](#) [604HE223-6B](#) [624HE17-RB](#) [6HM82](#) [6SE1](#) [6SX1-H58](#) [70500216](#)
[70599106](#) [71051](#) [714-0293](#) [MBH2731](#) [79211923](#) [79218589](#) [MIL30126AB6BBMD4A12XAU](#) [ML-1155](#) [ML-1376](#) [831010C3.0](#)
[831090C2.EL](#) [83131904](#) [84212012](#) [8AS239](#) [8HM73-3](#) [8SX26-H33](#) [914CE1-6G](#) [11SM1077-H4](#) [11SM1077-H58](#) [11SM1-TN107](#) [11SM405](#)
[11SM703-T](#) [11SM8423-H2](#) [11SX37-T](#) [11SX48-H58](#) [11SM2442-T](#) [11SM76-T](#) [11SM77-H58](#) [11SM77-T](#) [11SM863-T](#) [11SM866](#)
[A831700C7.0](#) [121EN188-R](#) [1245.0120](#) [125EN56-RB](#) [D433V3RD](#) [1267.0101](#) [1267.7101](#) [D4BFC1](#)