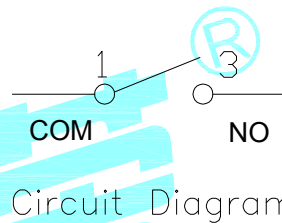
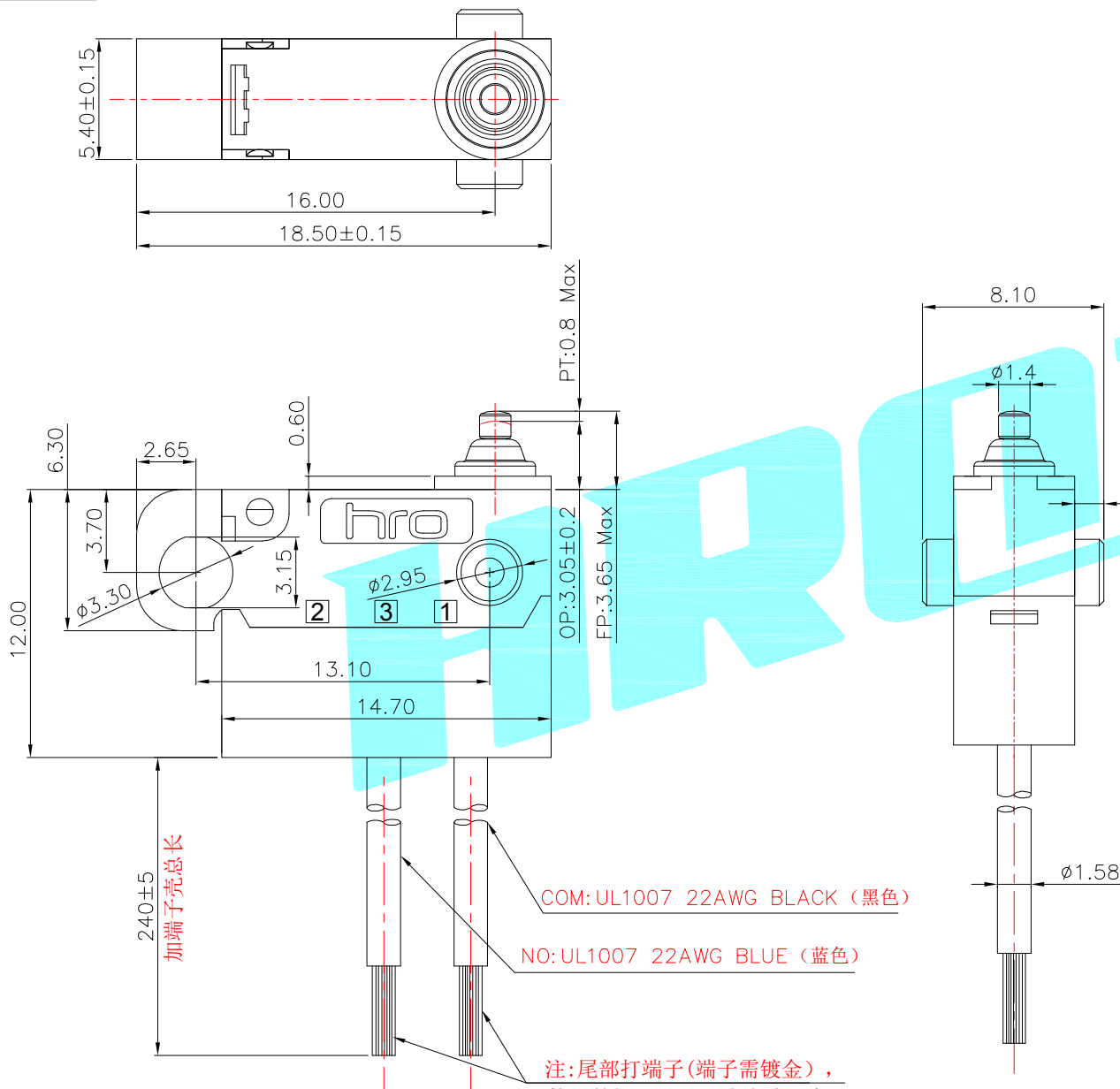


注：客户定制款，直接在原有型号后增加尾缀



NOTE:

- 1.Rating1:DC12V 3A
Rating2:48V DC/125V AC/250V AC 0.1A
- 2.Operating froce:130gf MAX
- 3.Electric Life:100,000
- 4.Mechanical Life:500,000
- 5.Ingress protection:IP67

ITEM	PART NAME	TER'NO.	QTY.	MATERIAL	FINISHING	REMARK
⑦	Shrapnel	—	1	Brass	Plating silver	—
⑥	Contact	—	1	Ag	—	—
⑤	Sealed Circle	—	1	Silicone Rubber	—	—
④	Terminal	—	2	Brass(0.50t)	Plating silver	—
③	Plunger	—	1	POM	Black	—
②	Case	—	1	PA	Black	—
①	Cover	—	1	PA	Black	—

APPROVALS		DATE	HRO 韩荣® ELECTRONICS CO.,LTD			
DRAWN	LIUCAN	2023.9.25	TITLE:	MICRO SWITCHS		
CHECKED			PART NO.	K9-2821D-7WBN-1BA		
APPROVALS			UNIT: mm	SCALE: 1:1	PROJ:	
TOLERANCES ARE	30~以上	±0.30	ANGLE	UNIT: mm	SCALE: 1:1	PROJ:
	10~30	±0.20				
	5~10	±0.15	±2'	DRAWING NO.		SHEET 1 OF 1
	~ 5	±0.10				

ECN NO.	REV.	DATE.	DESCRIPTION.	CHANGE.	CHECK.	APPRO.
	A		NEW			

X-ON Electronics

Largest Supplier of Electrical and Electronic Components

Click to view similar products for [HRO parts manufacturer](#):

Other Similar products are found below :

[0.8T-10P-WT](#) [0.8T-2P-WT](#) [0.8T-3P-WT](#) [0.8T-4P-WT](#) [0.8T-5P-WT](#) [0.8T-6P-WT](#) [0.8T-7P-WT](#) [0.8T-8P-WT](#) [0.8T-9P-WT](#) [1.0T-10P-WT](#)
[1.0T-10P-WV](#) [1.0T-2P-WT](#) [1.0T-2P-WV](#) [1.0T-3P-WT](#) [1.0T-3P-WV](#) [1.0T-4P-WT](#) [1.0T-4P-WV](#) [1.0T-5P-WT](#) [1.0T-5P-WV](#) [1.0T-6P-WV](#)
[1.0T-7P-WT](#) [1.0T-7P-WV](#) [1.0T-8P-WT](#) [1.0T-8P-WV](#) [1.0T-9P-WT](#) [1.0T-9P-WV](#) [1.25T-10P-DP](#) [1.25T-10P-WP](#) [1.25T-10P-WT](#) [1.25T-10P-](#)
[WV](#) [1.25T-11P-DP](#) [1.25T-11P-WP](#) [1.25T-11P-WT](#) [1.25T-11P-WV](#) [1.25T-12P-DP](#) [1.25T-12P-WP](#) [1.25T-12P-WT](#) [1.25T-12P-WV](#) [1.25T-](#)
[13P-DP](#) [1.25T-13P-WP](#) [1.25T-13P-WT](#) [1.25T-13P-WV](#) [1.25T-14P-DP](#) [1.25T-14P-WP](#) [1.25T-14P-WT](#) [1.25T-14P-WV](#) [1.25T-15P-DP](#)
[1.25T-15P-WP](#) [1.25T-15P-WT](#) [1.25T-16P-WV](#)