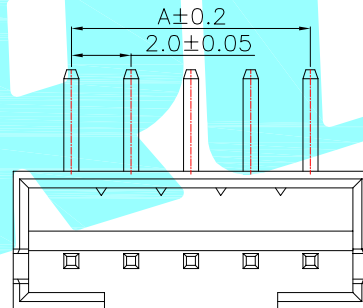
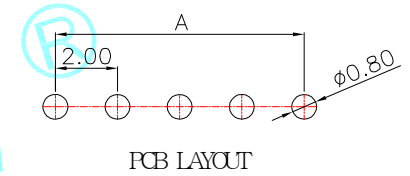
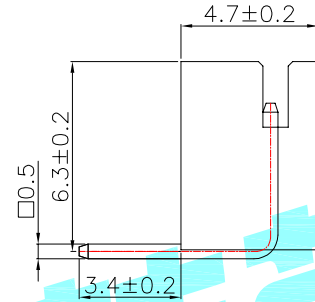
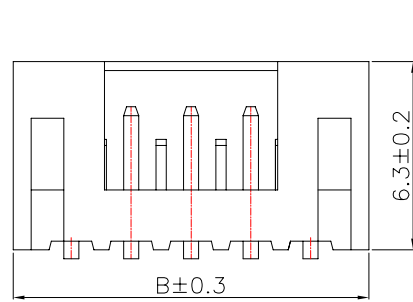


Poles	PART NO	DIM A	DIM B
2	PH-2AW	2.0	6.1
3	PH-3AW	4.0	8.1
4	PH-4AW	6.0	10.1
5	PH-5AW	8.0	12.1
6	PH-6AW	10.0	14.1
7	PH-7AW	12.0	16.1
8	PH-8AW	14.0	18.1
9	PH-9AW	16.0	20.1
10	PH-10AW	18.0	22.1
11	PH-11AW	20.0	24.1
12	PH-12AW	22.0	26.1
13	PH-13AW	24.0	28.1
14	PH-14AW	26.0	30.1
15	PH-15AW	28.0	32.1
16	PH-16AW	30.0	34.1



- 1.Pin pitch: 2.0
- 2.Rated voltage: 250V DC/AC
- 3.Contact resistance: $\leq 20m\Omega$
- 4.Insulation resistance: $\geq 1000M\Omega$
- 5.Operating temperature: $-25^{\circ}C \sim +85^{\circ}C$

②	PIN	—	—	Brass	Sn Plated	—															
①	Base	—	1	PA66	Natural	—															
ITEM	PART NAME	TER'NO.	QTY.	MATERIAL	FINISHING	REMARK															
APPROVALS			DATE	 ELECTRONICS CO.,LTD																	
DRAWN	LIUCAN	2021.10.22					TITLE:	Bar Connector Series													
CHECKED				PART NO.	PH-nAW																
APPROVALS				TOLERANCES ARE	<table border="1"> <tr> <td>30~以上</td> <td>± 0.30</td> <td rowspan="3">ANGLE</td> <td rowspan="3">UNIT: mm</td> <td rowspan="3">SCALE: 1:1</td> <td rowspan="3">PROJ: </td> </tr> <tr> <td>10~30</td> <td>± 0.20</td> </tr> <tr> <td>5~10</td> <td>± 0.15</td> </tr> <tr> <td>~ 5</td> <td>± 0.10</td> <td>$\pm 2^{\circ}$</td> <td>DRAWING NO.</td> <td></td> <td>SHEET 1 OF 1</td> </tr> </table>	30~以上	± 0.30	ANGLE	UNIT: mm	SCALE: 1:1	PROJ:	10~30	± 0.20	5~10	± 0.15	~ 5	± 0.10	$\pm 2^{\circ}$	DRAWING NO.		SHEET 1 OF 1
30~以上	± 0.30	ANGLE	UNIT: mm	SCALE: 1:1	PROJ:																
10~30	± 0.20																				
5~10	± 0.15																				
~ 5	± 0.10	$\pm 2^{\circ}$	DRAWING NO.		SHEET 1 OF 1																

ECN NO.	REV.	DATE.	DESCRIPTION.	CHANGE.	CHECK.	APPRO.
	A		NEW			

X-ON Electronics

Largest Supplier of Electrical and Electronic Components

Click to view similar products for [Headers & Wire Housings](#) category:

Click to view products by [HRO parts manufacturer](#):

Other Similar products are found below :

[57102-F02-18ULF](#) [58102-G61-06LF](#) [582553-1](#) [009176003701906](#) [01.001.5753.1](#) [0050291907](#) [02.125.8002.8](#) [609-3404](#) [61062-3](#)
[CSU011177004](#) [622-0430](#) [622-3653LF](#) [63453-116](#) [636-1030](#) [636-1427](#) [636-3427](#) [636-4007](#) [641938-9](#) [65495-038](#) [65692-001LF](#) [65781-018](#)
[65781-047](#) [65817-010LF](#) [65817-015LF](#) [66207-023LF](#) [67095-007LF](#) [67601157](#) [68631-112](#) [68645-018](#) [699319-000](#) [M90C108951C](#)
[70.362.1628.0](#) [70-4210](#) [70-4226B](#) [70-4853B](#) [707-5028](#) [71.350.2428.0](#) [71961-016LF](#) [733-134](#) [733-162](#) [754199-000](#) [760-3052](#) [80.063.4001.1](#)
[800-90-001-10-001000](#) [800-90-010-10-002000](#) [801-43-002-10-013000](#) [801-43-006-10-002000](#) [803-41-018-10-001000](#) [803-43-024-10-](#)
[001000](#) [803-93-012-10-001000](#)