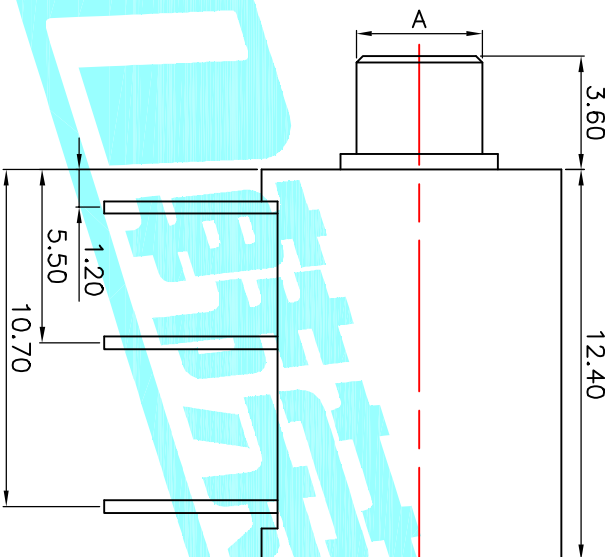
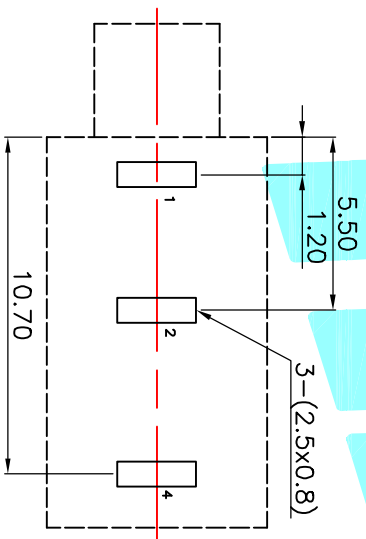


P.C.B Layout (copper-sided view)



Model NO	A=φ4	PJ-2105-A
	A=M4XP0.5	PJ-2105A-A
Schematic		

Rating:0.5A 30V DC
 Contact Resistance:100 mΩ Max.
 Operating temperature:-20℃~70℃
 Operating force:3-20N
 Operating Life:5,000cycles

ECN NO.	REV.	DATE.	DESCRIPTION.	CHANGE.	CHECK.	APPRO.																																																																													
	A		NEW																																																																																
<table border="1"> <tr> <td>②</td> <td>Terminal</td> <td></td> <td>3</td> <td>Phosphor bronze</td> <td>Au Plating</td> <td></td> </tr> <tr> <td>①</td> <td>Housing</td> <td></td> <td>1</td> <td>Nylon</td> <td>Black</td> <td></td> </tr> <tr> <td>ITEM</td> <td>PART NAME</td> <td>TER'NO.</td> <td>QTY.</td> <td>MATERIAL</td> <td>FINISHING</td> <td>REMARK</td> </tr> <tr> <td colspan="2">APPROVALS</td> <td colspan="2">DATE</td> <td colspan="3"></td> </tr> <tr> <td colspan="2">DRAWN</td> <td colspan="2">J.X.Zhang</td> <td colspan="3">2013/11/11</td> </tr> <tr> <td colspan="2">CHECKED</td> <td colspan="2"></td> <td colspan="3">TITLE: PHONE JACKES</td> </tr> <tr> <td colspan="2">APPROVALS</td> <td colspan="2"></td> <td colspan="3">PART NO. PJ-2105</td> </tr> <tr> <td colspan="2">TOLERANCES ARE</td> <td>30~0.15</td> <td>±0.30</td> <td>ANGLE</td> <td>UNIT: mm</td> <td>SCALE: 1:1</td> </tr> <tr> <td colspan="2"></td> <td>10~>30</td> <td>±0.20</td> <td></td> <td></td> <td>PROJ-④</td> </tr> <tr> <td colspan="2"></td> <td>5~10</td> <td>±0.15</td> <td>±2'</td> <td></td> <td>SHEET 1 OF 1</td> </tr> <tr> <td colspan="2"></td> <td>~5</td> <td>±0.10</td> <td></td> <td></td> <td></td> </tr> </table>							②	Terminal		3	Phosphor bronze	Au Plating		①	Housing		1	Nylon	Black		ITEM	PART NAME	TER'NO.	QTY.	MATERIAL	FINISHING	REMARK	APPROVALS		DATE					DRAWN		J.X.Zhang		2013/11/11			CHECKED				TITLE: PHONE JACKES			APPROVALS				PART NO. PJ-2105			TOLERANCES ARE		30~0.15	±0.30	ANGLE	UNIT: mm	SCALE: 1:1			10~>30	±0.20			PROJ-④			5~10	±0.15	±2'		SHEET 1 OF 1			~5	±0.10			
②	Terminal		3	Phosphor bronze	Au Plating																																																																														
①	Housing		1	Nylon	Black																																																																														
ITEM	PART NAME	TER'NO.	QTY.	MATERIAL	FINISHING	REMARK																																																																													
APPROVALS		DATE																																																																																	
DRAWN		J.X.Zhang		2013/11/11																																																																															
CHECKED				TITLE: PHONE JACKES																																																																															
APPROVALS				PART NO. PJ-2105																																																																															
TOLERANCES ARE		30~0.15	±0.30	ANGLE	UNIT: mm	SCALE: 1:1																																																																													
		10~>30	±0.20			PROJ-④																																																																													
		5~10	±0.15	±2'		SHEET 1 OF 1																																																																													
		~5	±0.10																																																																																
<p>PHONE JACKES ELECTRONICS CO.,LTD</p>																																																																																			

X-ON Electronics

Largest Supplier of Electrical and Electronic Components

Click to view similar products for [Circular DIN Connectors](#) category:

Click to view products by [HRO parts](#) manufacturer:

Other Similar products are found below :

[M83723/76W22326](#) [M83723/78R22327](#) [D38999/26FE99SN L/C](#) [75-069228-21J](#) [7519021610P](#) [75-190224-28S](#) [75-474014-07L](#)
[803000A09M040](#) [FGG.1K.314.CLAK75](#) [FRCIR030FP-28-21S](#) [FRCIR030RFP-40A-38P-F80](#) [FRCIR06F-40A-38S-F80](#) [FRCIR06R-14S-6S](#)
[88-569723-03P](#) [88-569735-06P](#) [88-569769-19P](#) [88-569785-06I](#) [8R3006A18M0033](#) [GTC00G-24-7S](#) [PT05A-14-18SW\(023\)](#) [PT05A-14-5SX](#)
[PT05A1832SW](#) [PT05A2041SX](#) [GTC030-20-27PW-LC](#) [GTC030A-20-33S](#) [GTC06R20-22P-025-LC](#) [1211290078](#) [1211810025](#) [ACC06AF-](#)
[20-23P\(003\)](#) [1210503216](#) [1211290084](#) [ACS06AF-16-10P\(003\)](#) [D38999/40FB35AN](#) [D38999/40FB35BB](#) [D38999/40WB35BN](#)
[D38999/40WD35PN](#) [D38999/40WJ29SN-L/C](#) [D38999/40WJ4BN](#) [D38999/42FB35BN](#) [D38999/42WB35AB](#) [D38999/42WB35PB-L/C](#)
[D38999/42WJ19AN](#) [D38999/44WH21AN](#) [D38999/44WH35AN](#) [D38999/44WJ29BA](#) [D38999/44WJ35PN](#) [D38999/44WJ61BA](#)
[D38999/46WF32PN-L/C](#) [D38999/46WF32PN\(LESS CONT](#) [12DL6MX](#)