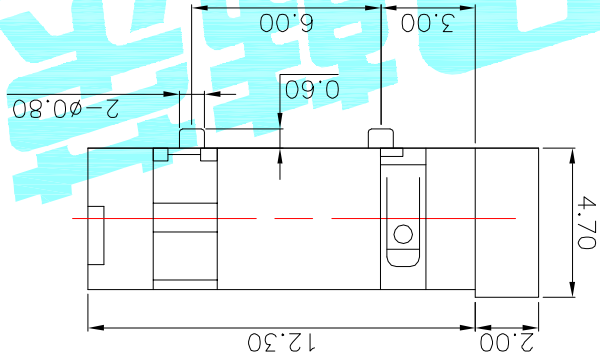


P.C.B Layout (copper-sided view)



| Model NO  | PJ-327EA-A | PJ-327EA-B |
|-----------|------------|------------|
| Schematic |            |            |
| Model NO  | PJ-327EA-C | PJ-327EA-D |
| Schematic |            |            |

Rating:0.5A 30V DC  
 Contact Resistance:100 mΩ Max.  
 Operating temperature:-20℃~70℃  
 Operating force:3-20N  
 Operating Life:5,000cycles

| ECN NO. | REV. | DATE. | DESCRIPTION. | CHANGE. | CHECK. | APPRO. |
|---------|------|-------|--------------|---------|--------|--------|
| ---     | A    | ---   | NEW          | ---     | ---    | ---    |

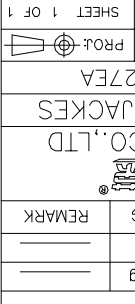
| ITEM | PART NAME | TER.NO. | QTY. | MATERIAL        | FINISHING  | REMARK |
|------|-----------|---------|------|-----------------|------------|--------|
| ①    | Housing   | ---     | 1    | Nylon           | Black      | ---    |
| ②    | Terminal  | ---     | 5    | Phosphor bronze | Au Plating | ---    |

| APPROVALS | DATE | DRAWN | J.X.Zhang | 2013/11/11 | TITLE:        | PART NO. | UNIT: | SCALE: | PROJECT  |
|-----------|------|-------|-----------|------------|---------------|----------|-------|--------|----------|
| CHECKED   |      |       |           |            | PHONE JACKETS |          | mm    | 1:1    | PJ-327EA |
| APPROVALS |      |       |           |            |               |          |       |        |          |

| TERMINALS ARE | ANGLE | UNIT: | DRAWING NO. | SHEET  |
|---------------|-------|-------|-------------|--------|
| 30~35°        | ±2°   | mm    |             | 1 OF 1 |
| 10~30°        |       |       |             |        |
| 5~10°         |       |       |             |        |
| ~5°           |       |       |             |        |
| ±0.15         |       |       |             |        |
| ±0.10         |       |       |             |        |



## X-ON Electronics

Largest Supplier of Electrical and Electronic Components

*Click to view similar products for [HDMI, Displayport & DVI Connectors](#) category:*

*Click to view products by [HRO parts](#) manufacturer:*

Other Similar products are found below :

[1775247-3](#) [2-1932649-5](#) [30-1231](#) [30-528](#) [2069485-1](#) [30-504](#) [30-519](#) [30-542](#) [47648-2000](#) [2002-400](#) [TC142X](#) [1453G1](#) [769-103/021-000](#)  
[1932649-1](#) [233-368NFG6-17NH](#) [G45A19071083HR](#) [233-360NF00-17NH](#) [CP30200GM3B](#) [HYC02-DVI29-371](#) [P136-06NHDV4KBP](#)  
[CP30116](#) [LTWDID-29PFFS-SL8001](#) [46765-1301](#) [1211-0010-201-001](#) [47271-1004](#) [32-1121-BU](#) [DS1117-BN0-TME-002](#) [MHDR2A11004BP](#)  
[EHHDMI2PKG](#) [1903015-3](#) [DS1114-BN0](#) [WPUSBAF](#) [500254-1931](#) [HDMR-19-01-F-SM](#) [47151-1071](#) [1747981-1](#) [0480372000](#) [0482580001](#)  
[D121073-19](#) [472710111](#) [HDMI-S-RA6-SMT-MF-15](#) [P142-000-UP](#) [P134-003](#) [P120-08N](#) [KDMIX-FS1V-WS-B](#) [P142-000-UD](#) [10029449-](#)  
[101RLF](#) [P132-000](#) [P130-000](#) [P142-06N-MICRO](#)