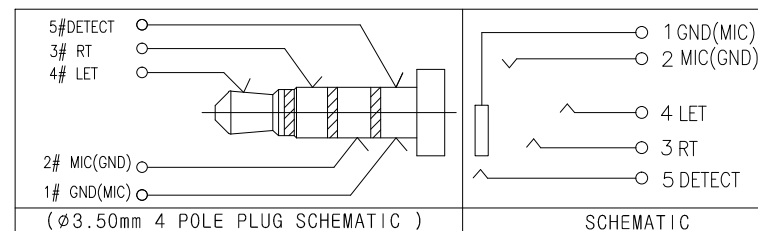
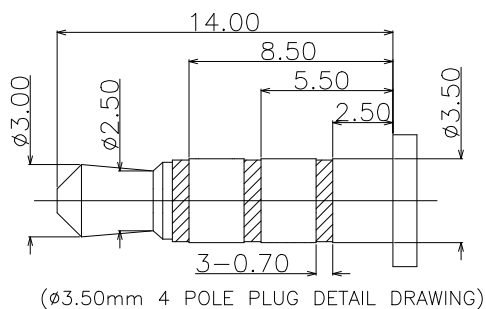
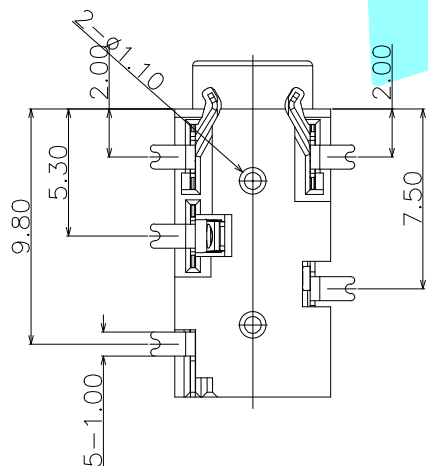
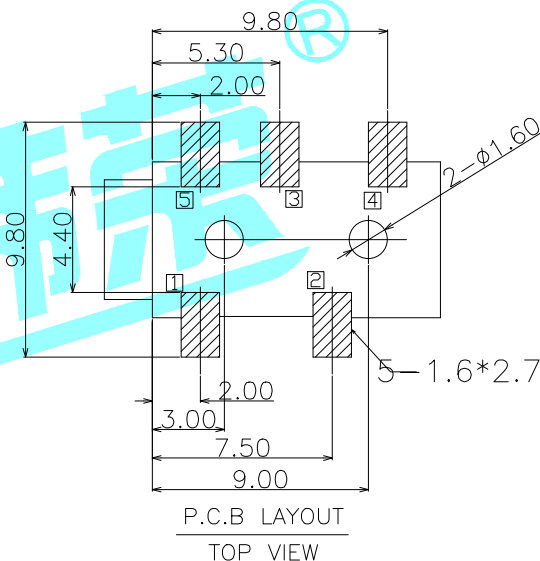
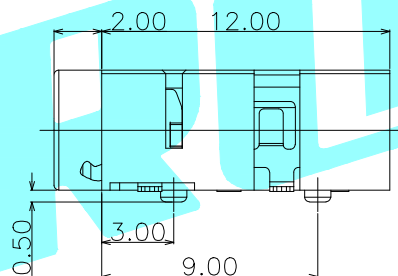
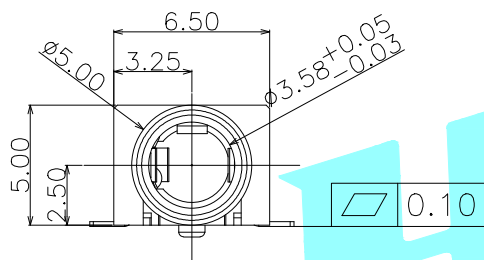
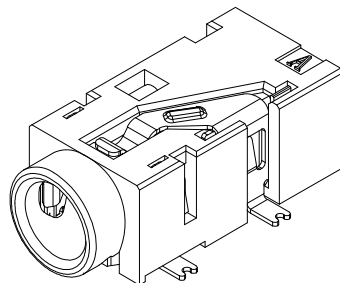
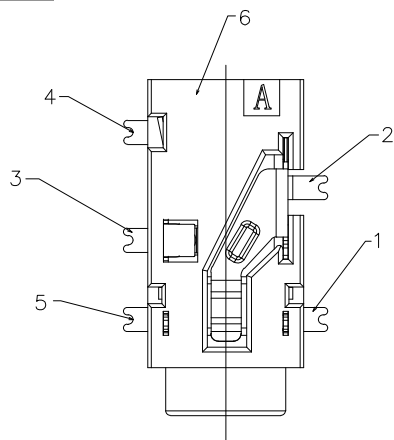


ROHS

1. CONTACT CURRENT RATING: 1A.
2. CONTACT RESISTANCE: 50 mΩ MAX.;
3. INSULATION RESISTANCE: 100MΩ MIN.;
4. DIELECTRIC WITHSTANDING: 500V AC MIN.;
5. DURABILITY: 5,000 CYCLES MIN.;
6. CONNECTOR MATING FORCES: 30N MAX.;
7. CONNECTOR UNMATING FORCES: 3N MIN.;



②	Terminal	5	Brass	Ni/Sn Plating										
①	Housing	1	High temperature plastic	Black										
ITEM	PART NAME	TER'NO.	QTY.	MATERIAL	FINISHING	REMARK								
APPROVALS			DATE		 ELECTRONICS CO.,LTD TITLE: PHONE JACKES PART NO. PJ-327F-5A									
DRAWN		LIUCAN	2020.12.30											
CHECKED														
APPROVALS					TOLERANCES ARE: <table border="1" style="display: inline-table; vertical-align: middle;"> <tr> <td>30~以上</td> <td>±0.30</td> </tr> <tr> <td>10~30</td> <td>±0.20</td> </tr> <tr> <td>5~10</td> <td>±0.15</td> </tr> <tr> <td>~ 5</td> <td>±0.10</td> </tr> </table> ANGLE: ±2'		30~以上	±0.30	10~30	±0.20	5~10	±0.15	~ 5	±0.10
30~以上	±0.30													
10~30	±0.20													
5~10	±0.15													
~ 5	±0.10													
ECN NO.	REV.	DATE.	DESCRIPTION.	CHANGE.	CHECK.	APPRO.								

ECN NO.	REV.	DATE.	DESCRIPTION.	CHANGE.	CHECK.	APPRO.
	A		NEW			

X-ON Electronics

Largest Supplier of Electrical and Electronic Components

Click to view similar products for [Circular DIN Connectors](#) category:

Click to view products by [HRO parts manufacturer](#):

Other Similar products are found below :

[M83723/76W22326](#) [M83723/78R22327](#) [D38999/26FE99SN L/C](#) [75-069228-21J](#) [7519021610P](#) [75-190224-28S](#) [7547401103P](#) [75-474014-07L](#) [803000A09M040](#) [88-569723-03P](#) [88-569735-06P](#) [88-569769-19P](#) [8R3006A18M0033](#) [GTC00G-24-7S](#) [PT05A-14-18SW\(023\)](#) [PT05A-14-5SX](#) [PT05A1832SW](#) [PT05A2041SX](#) [GTC030-20-27PW-LC](#) [1211290078](#) [1211810025](#) [ACC06AF-20-23P\(003\)](#) [1210503216](#) [ACS06AF-16-10P\(003\)](#) [D38999/40FB35AN](#) [D38999/40FB35BB](#) [D38999/40WB35BN](#) [D38999/40WD35PN](#) [D38999/40WJ29SN-L/C](#) [D38999/40WJ4BN](#) [D38999/42FB35BN](#) [D38999/42WB35AB](#) [D38999/42WB35PB-L/C](#) [D38999/42WJ19AN](#) [D38999/42WJ24PN-L/C](#) [D38999/44WB35AN](#) [D38999/44WH21AN](#) [D38999/44WH35AN](#) [D38999/44WJ29BA](#) [D38999/44WJ35PN](#) [D38999/44WJ61BA](#) [12DL6MX](#) [AFD57-22-12S-6141](#) [MS3100R36-5S](#) [MS3101F20-18S](#) [MS3101R20-18S](#) [MS3101R20-7S](#) [MS310314S-5P](#) [MS310314S-6P](#) [MS3106E22-18S](#)