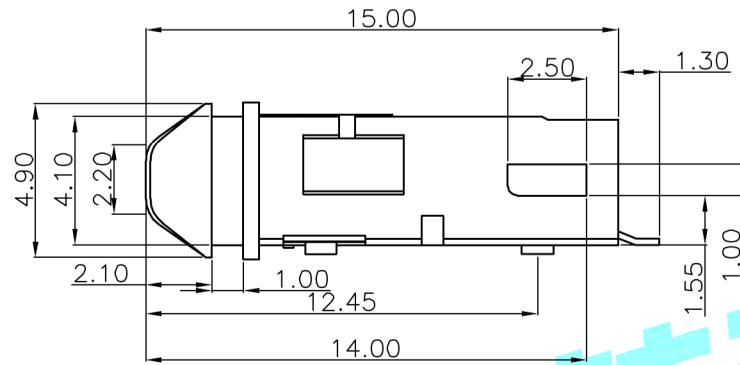
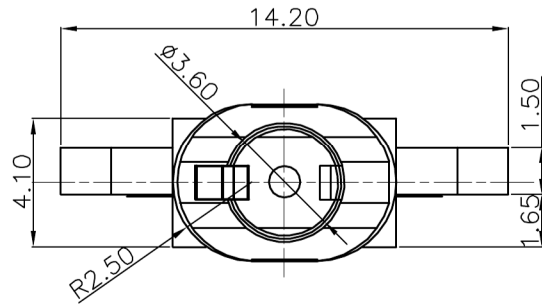
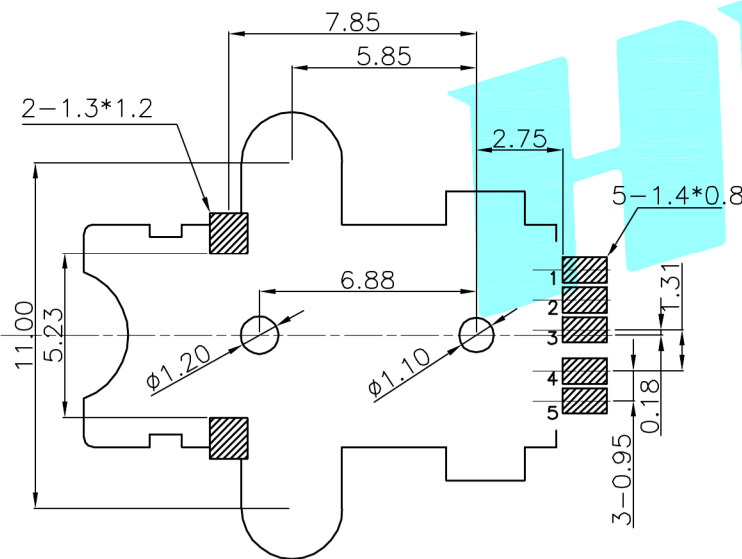


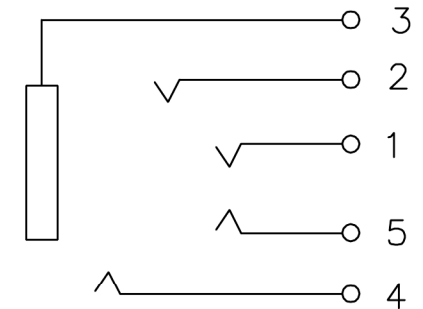
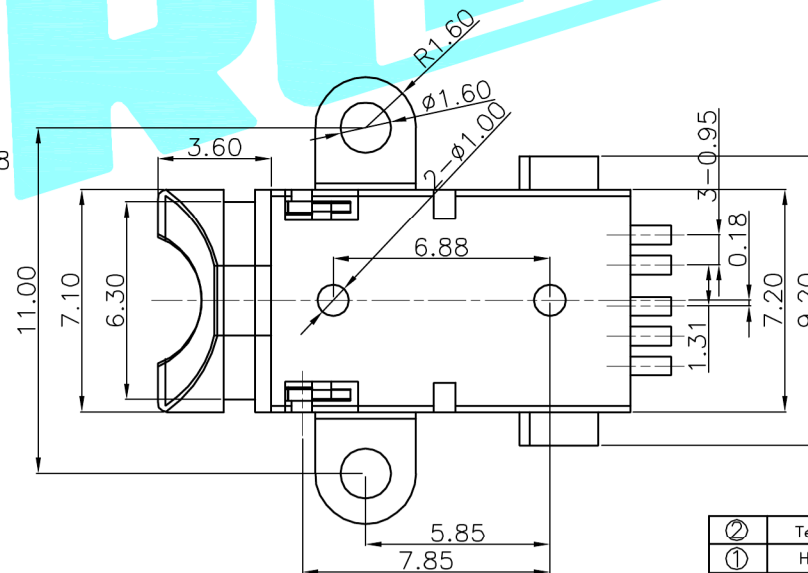
# Water Resistance: IP-X7



Rating: 0.5A 30V DC  
 Contact Resistance: 100 mΩ Max.  
 Operating temperature: -20°C ~ 70°C  
 Operating force: 3-20N  
 Operating Life: 5,000 cycles



P.C.B Layout



CIRCUIT DIAGRAM

②	Terminal	5	Phosphor bronze	Au Plating		
①	Housing	1	Nylon	Black		
ITEM	PART NAME	TER'NO.	QTY.	MATERIAL	FINISHING	REMARK
APPROVALS		DATE		ELECTRONICS CO.,LTD		
DRAWN	xu qi feng	2014.11.26				
CHECKED				PART NO.	PJ-608	
APPROVALS				TOLERANCES ARE	30~100 : ±0.30 10~30 : ±0.20 5~10 : ±0.15 ~ 5 : ±0.10	ANGLE : ±2' UNIT: mm SCALE: 1:1 PROJ:
ECN NO.	REV.	DATE.	DESCRIPTION.	CHANGE.	CHECK.	APPRO.

ECN NO.	REV.	DATE.	DESCRIPTION.	CHANGE.	CHECK.	APPRO.
---------	------	-------	--------------	---------	--------	--------

## X-ON Electronics

Largest Supplier of Electrical and Electronic Components

*Click to view similar products for [Circular DIN Connectors](#) category:*

*Click to view products by [HRO parts manufacturer](#):*

Other Similar products are found below :

[M83723/76W22326](#) [M83723/78R22327](#) [D38999/26FE99SN L/C](#) [75-069228-21J](#) [7519021610P](#) [75-190224-28S](#) [75-474014-07L](#)  
[803000A09M040](#) [FGG.1K.314.CLAK75](#) [FRCIR030FP-28-21S](#) [FRCIR030RFP-40A-38P-F80](#) [FRCIR06F-40A-38S-F80](#) [FRCIR06R-14S-6S](#)  
[88-569723-03P](#) [88-569735-06P](#) [88-569769-19P](#) [88-569785-06I](#) [8R3006A18M0033](#) [GTC00G-24-7S](#) [PT05A-14-18SW\(023\)](#) [PT05A-14-5SX](#)  
[PT05A1832SW](#) [PT05A2041SX](#) [GTC030-20-27PW-LC](#) [GTC030A-20-33S](#) [GTC06R20-22P-025-LC](#) [1211290078](#) [1211810025](#) [ACC06AF-](#)  
[20-23P\(003\)](#) [1210503216](#) [1211290084](#) [ACS06AF-16-10P\(003\)](#) [D38999/40FB35AN](#) [D38999/40FB35BB](#) [D38999/40WB35BN](#)  
[D38999/40WD35PN](#) [D38999/40WJ29SN-L/C](#) [D38999/40WJ4BN](#) [D38999/42FB35BN](#) [D38999/42WB35AB](#) [D38999/42WB35PB-L/C](#)  
[D38999/42WJ19AN](#) [D38999/44WH21AN](#) [D38999/44WH35AN](#) [D38999/44WJ29BA](#) [D38999/44WJ35PN](#) [D38999/44WJ61BA](#)  
[D38999/46WF32PN-L/C](#) [D38999/46WF32PN\(LESS CONT](#) [12DL6MX](#)