



韩国韩荣部品株式会社
东莞市韩荣电子有限公司

承 认 书

客 户 CUSTOMER			
客户料号 CUSTOMER MODEL:			
品 名 PART NAME	防水耳机插座		
型 号 MODEL	PJ-611		
承认单位 DEPT	检验 INSPECT (QC)	审核 CHECK (R&D)	批准 APPD (R&D)
责 任 人 RESPONSIBLE			
判 定 DETERMINE	OK <input type="checkbox"/> NG <input type="checkbox"/>	OK <input type="checkbox"/> NG <input type="checkbox"/>	OK <input type="checkbox"/> NG <input type="checkbox"/>

韩国韩荣部品株式会社

KOREAN HROPARTS ELECTRONICS CO.,LTD
ADD:118-4 Zhen Chen 3 Xin Buk Chun City Gang Won Do Korea
E-mail: hroparts@smtswitch.com

东莞市韩荣电子有限公司

DONGGUAN HRO ELECTRONICS CO.,LTD
TEL: 86-769-87818100 87818200 87818300
FAX: 86-769-87818500
Http:www.smtswitch.com
E-mail:sales@smtswitch.com
ADD: 中国广东省东莞市塘厦镇 138 工业区宏业北二横路 1 号 B 栋

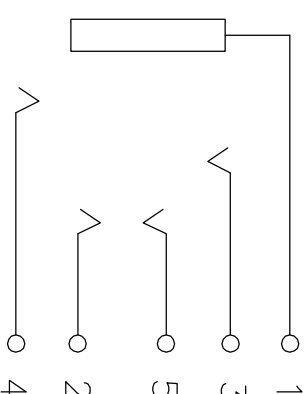
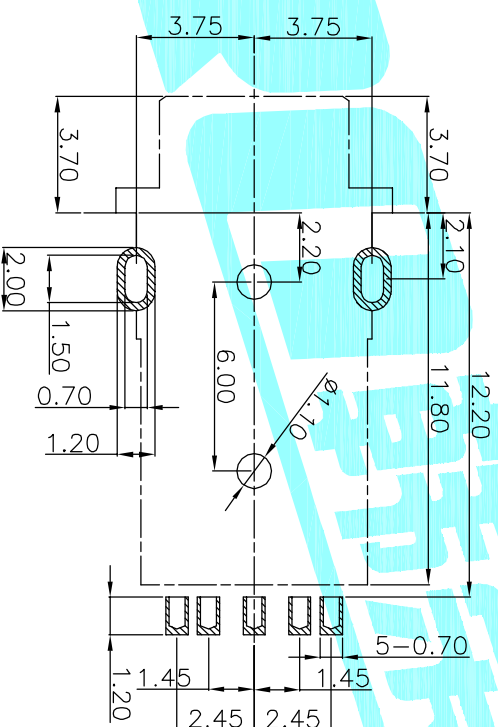
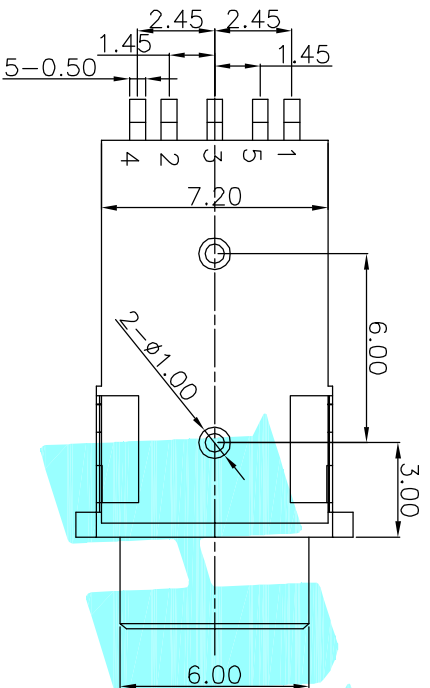
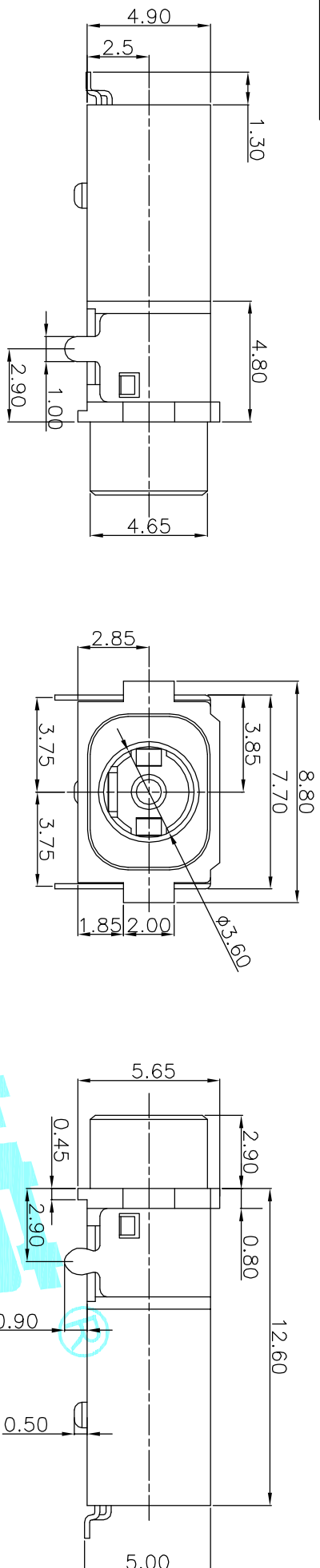
本厂工程部审核:
ENGINEERING DEPT:



日期: 15 年 12 月 01 日

RoHS

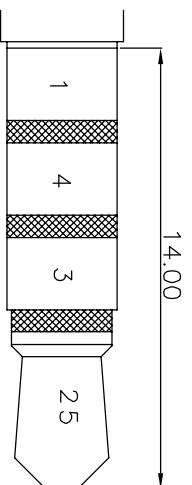
让客户 100%满意的高品质开关插座供应商



CIRCUIT DIAGRAM

P.C.B Layout

$\phi 3.5$ MATE PLUG



Rating: 0.5A 30V DC
 Contact Resistance: 100 m Ω Max.
 Operating temperature: -20 $^{\circ}$ C ~ 70 $^{\circ}$ C
 Operating force: 3-20N
 Operating Life: 10,000 cycles

ECN NO.	REV.	DATE.	DESCRIPTION.	CHANGE.	CHECK.	APPRO.																																																																							
	A		NEW																																																																										
<table border="1"> <tr> <td>② Terminal</td> <td>5</td> <td>Phosphor bronze</td> <td>Au Plating</td> </tr> <tr> <td>① Housing</td> <td>1</td> <td>Nylon</td> <td>Black</td> </tr> <tr> <td>ITEM</td> <td>PART NAME</td> <td>TER'NO.</td> <td>QTY.</td> <td>MATERIAL</td> <td>FINISHING</td> <td>REMARK</td> </tr> <tr> <td colspan="2">APPROVALS</td> <td colspan="2">DATE</td> <td colspan="3"></td> </tr> <tr> <td colspan="2">DRAWN</td> <td colspan="2">xu qi feng</td> <td colspan="3">2014.11.26</td> </tr> <tr> <td colspan="2">CHECKED</td> <td colspan="2"></td> <td colspan="3">TITLE: PHONE JACKS</td> </tr> <tr> <td colspan="2">APPROVALS</td> <td colspan="2"></td> <td colspan="3">PART NO. PJ-611</td> </tr> <tr> <td colspan="2">TOLERANCES ARE</td> <td>30\pm0.15</td> <td>\pm0.30</td> <td>ANGLE</td> <td>UNIT: mm</td> <td>SCALE: 1:1</td> </tr> <tr> <td colspan="2"></td> <td>10\sim30</td> <td>\pm0.20</td> <td></td> <td></td> <td>PROJ-</td> </tr> <tr> <td colspan="2"></td> <td>5\sim10</td> <td>\pm0.15</td> <td>\pm2'</td> <td>DRAWING NO.</td> <td>SHEET 1 OF 1</td> </tr> <tr> <td colspan="2"></td> <td>\sim5</td> <td>\pm0.10</td> <td></td> <td></td> <td></td> </tr> </table>							② Terminal	5	Phosphor bronze	Au Plating	① Housing	1	Nylon	Black	ITEM	PART NAME	TER'NO.	QTY.	MATERIAL	FINISHING	REMARK	APPROVALS		DATE					DRAWN		xu qi feng		2014.11.26			CHECKED				TITLE: PHONE JACKS			APPROVALS				PART NO. PJ-611			TOLERANCES ARE		30 \pm 0.15	\pm 0.30	ANGLE	UNIT: mm	SCALE: 1:1			10 \sim 30	\pm 0.20			PROJ-			5 \sim 10	\pm 0.15	\pm 2'	DRAWING NO.	SHEET 1 OF 1			\sim 5	\pm 0.10			
② Terminal	5	Phosphor bronze	Au Plating																																																																										
① Housing	1	Nylon	Black																																																																										
ITEM	PART NAME	TER'NO.	QTY.	MATERIAL	FINISHING	REMARK																																																																							
APPROVALS		DATE																																																																											
DRAWN		xu qi feng		2014.11.26																																																																									
CHECKED				TITLE: PHONE JACKS																																																																									
APPROVALS				PART NO. PJ-611																																																																									
TOLERANCES ARE		30 \pm 0.15	\pm 0.30	ANGLE	UNIT: mm	SCALE: 1:1																																																																							
		10 \sim 30	\pm 0.20			PROJ-																																																																							
		5 \sim 10	\pm 0.15	\pm 2'	DRAWING NO.	SHEET 1 OF 1																																																																							
		\sim 5	\pm 0.10																																																																										
<p>HAPO ELECTRONICS CO., LTD</p>																																																																													

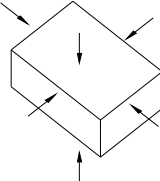
 KOREAN HROPARTS ELECTRONICS CO.,LTD		文件编号 FILE NO.	HR-SPEC-004	页码 PAGE	1/5
		发布日期 DATE OF ISSUE	2012 年 03 月 28 日		
PRODUCT SPECIFICATION 产品承认书		文件版本 EDITION	第 A 版 第 0 次修订		
Title 名称	PJ 插座 PHONE JACKES	产品料号 PART NO.	PJ 插座系列		

1. General specification 基本事项	
1.1 action : 种类 :	POWER JACKES 耳机插座
1.2 Switch rating 最大额定值 :	D. C. 30V , 0.5A
1.3 Operation temperature range 使用温度试验范围 :	- 25~ + 80°C
1.4 Preservative temperature range 保存温度范围 :	- 20~ + 70°C
1.5 Appearance and dimensions : 外形及尺寸 :	See outside drawing page 见外形尺寸图
1.6 General test condition (Tests and measurements shall be made under the following standard conditions unless otherwise specified): 正常测试条件 (未有特殊说明量测在以下条件进行) ::	
Ambient temperature 温度:	5 ~ 35°C
Relative humidity 相对湿度:	45 ~ 85%RH
Air pressure 气压:	86 ~ 106kPa (860~1060mbar)
However, if doubt arises on the decision based on the measured Values under the above-mentioned conditions, the following conditions shall be employed: 但是在对判定产生疑义时,按下述状态实施:	
Ambient temperature 温度:	20±2°C
Relative humidity 相对湿度:	65±5%
Air pressure 气压:	86 ~ 106kPa (860~1060mbar)
2. Performance 性能	
2.1 Electrical characteristics 电气性能	

NO.	Item 项目	Test condition 试验条件	Performance 规格
2.1.1	Contact resistance 接触电阻	Measured at low current (10mA or less) 在低电流 (≦10MA) 条件下测试	100mΩ MAX 100mΩ 以下
2.1.2	Insulation resistance 绝缘电阻	Measurement shall be made between adjacent terminals, between terminal and shell (DC 500V) 测试相邻引脚之间, 引脚与处壳之间的绝缘阻抗 (DC 500V)	100MΩ min 100MΩ 以上
2.1.3	Withstand voltage 耐电压	Apply certain voltage (50-60Hz , AC 500V) for 1 minute between adjacent contacts of the connector with 0.5mA Leakage sensitivity. 输入一定电压 (50-60Hz , 电压值 AC 500V) 1分钟, 漏电流为 0.5mA , 测试邻近端子间	No. insulation destruction. 无绝缘破坏

2.2 Mechanical Characteristics 机械性能			
2.2.1	Insertion & Extraction Force 插拔力	Products mated 3 cycles, fix the species in the force gauge and test the mating force of the connector . 产品插拔三次后, 置于插拔力测试计上测试插入力和拔出力.	2.94-29.4 N. (0.3Kg-3Kg)

 KOREAN HROPARTS ELECTRONICS CO.,LTD		文件编号 FILE NO.	HR-SPEC-004	页码 PAGE	2/5
		发布日期 DATE OF ISSUE	2012 年 03 月 28 日		
PRODUCT SPECIFICATION 产品承认书		文件版本 EDITION	第 A 版 第 0 次修订		
Title 名称	PJ 插座 PHONE JACKES	产品料号 PART NO.	PJ 插座系列		

NO.	Item 项目	Test condition 试验条件	Performance 规格
2.2.2	Load Strength of Terminal 端子强度	Apply 0.5Kg load to terminal of the connector in any direction for 1 minute. 于连接端子处上方垂直施加0.5Kg的力，持续时间1分钟。	Terminal shall be not broken off, rupture, looseness and other defects. 端子无变形，断裂，等异常。
2.2.3	Vibration test 耐振性	(1) Amplitude 全振幅: 1.5 mm (2) Sweep rate: 10-55-10HZ for 1 minute 扫描速度: 10-55-10HZ 1 分钟 (3) Sweep method: Logarithmic frequency sweeprate 扫描方式: 对数频率扫描速度 (4) Vibration direction : X, Y, Z(3 directions) 振动方向: X,Y, Z (3 方向) (5) Time : Each direction 2 hours (Total 6hours) 时间: 每个方向2 个小时(共6 个小时)	No.2.1 and 2.2.1 to 2.2.2 shall be satisfied 满足 2.1 项和2.2.1 至 2.2.2 项.
2.2.4	Soldering heat test 耐焊接热	Soldering area: t/2 of P.W.B. thickness (P.W.B:T=1.6) 焊接面积: 印刷基板的1/2 厚度处 Soldering temperature : 260± 5°C 焊接温度: 260± 5°C soldering time : 5 ±1 sec. 焊接时间: 5 ±1 秒	No damage (electrical andmechanical) 无异常。 (电气、机械特性)
2.2.5	Solderbility 可焊性	After sprated flux 涂上助焊剂后 temperature :245± 5°C 温度: 245± 5°C soldering time :2±0.5 sec 焊接时间: 2±0.5 秒	90% or more of surface area of the portion immersed in solder shall be covered by new solder 90% 或更多的浸焊面积能被焊锡覆盖.
2.2.6	Shock 耐冲击性	Measure after test at a condition below 在下列条件下进行测试后的量度 Peak acceleration----80G 冲击加速度-80G Test time-6direction ,each 3 times total 18times 测试次数-6 个方向, 各3 次共计18 次。 	No.2.1 and 2.2.1 to 2.2.2 shall be satisfied 第2.1 及2.2.1—2.2.2 都应符合要求

 KOREAN HROPARTS ELECTRONICS CO.,LTD		文件编号 FILE NO.	HR-SPEC-004	页码 PAGE	3/5
		发布日期 DATE OF ISSUE	2012年03月28日		
PRODUCT SPECIFICATION 产品承认书		文件版本 EDITION	第A版 第0次修订		
Title 名称	PJ 插座 PHONE JACKES	产品料号 PART NO.	PJ 插座系列		

2.3 Durability characteristics 耐久性

NO.	Item 项目	Test condition 试验条件	Performance 规格
2.3.1	Endurance (switching action) 耐久特性 (插拔寿命)	Switch shall be operated continuously at 20~50 cycles /10000 times. 插座在寿命试验设备上以 20~50 次 / 分的速度连续被操作, 10000 次。	After test, Insulation resistance: 10MΩ Min 实验后: 绝缘电阻: 10MΩ Min Insertion & Extraction Force: 2.94-29.4 N (0.3-3Kg) 插拔力: 2.94~29.4 N (0.3-3Kg)

2.4 Climatic characteristics 耐候性能

No.	Item 项目	Test condition 试验条件	Performance 规格
2.4.1	Cold test 耐寒性	(1) Temperature : - 20±2℃ 温度: - 20±2℃ (2) Duration of test: 96h 持续时间: 96 小时 (3) Take off a drop water 去掉水珠 (4) Standard conditions after test : 1h 试验后的放置条件: 1 小时	Contact resistance 100 mΩ max No. 2.1.2 to 2.1.4 and No. 2.2.1 to 2.2.2 shall Be satisfied 接触电阻 100 mΩ 以下 满足2.1.2 到2.1.4 项、2.2.1到 2.2.2 项.
2.4.2	Heat test 耐热性	(1) Temperature : 80±2℃ 温度: 80±2℃ (2) Duration of test: 96h 持续时间: 96 小时 (3) Standard conditions after test : 1h 试验后的放置条件: 1 小时	Contact resistance 50mΩ max No. 2.1.2 to 2.1.4 and No. 2.2.1 to 2.2.2 shall Be satisfied 接触电阻 100mΩ以下 满足2.1.2 到2.1.4 项2.2.1到 2.2.2 项.

 KOREAN HROPARTS ELECTRONICS CO.,LTD		文件编号 FILE NO.	HR-SPEC-004	页码 PAGE	4/5
		发布日期 DATE OF ISSUE	2012 年 03 月 28 日		
PRODUCT SPECIFICATION 产品承认书		文件版本 EDITION	第 A 版 第 0 次修订		
Title 名称	PJ 插座 PHONE JACKES	产品料号 PART NO.	PJ 插座系列		

NO.	Item 项目	Test condition 试验条件	Performance 规格													
2.4.3	Temperature cycle 温度循环	(1) Test cycles :20 cycles 试验周期: 20 个周期 (2) Standard condition after test :1h 试验后的放置条件: 1 小时 <table border="1" data-bbox="403 667 1007 920"> <thead> <tr> <th></th> <th>temperature 温度</th> <th>duration of test 持续时间</th> </tr> </thead> <tbody> <tr> <td>1 cycle 一次</td> <td>20±5℃</td> <td>1h</td> </tr> <tr> <td rowspan="3">循环</td> <td>-25±2℃</td> <td>1h</td> </tr> <tr> <td>20±5℃</td> <td>1h</td> </tr> <tr> <td>80±5℃</td> <td>1h</td> </tr> </tbody> </table>		temperature 温度	duration of test 持续时间	1 cycle 一次	20±5℃	1h	循环	-25±2℃	1h	20±5℃	1h	80±5℃	1h	No damage Electricalandmechanical 无异常 电气、机械性能
	temperature 温度	duration of test 持续时间														
1 cycle 一次	20±5℃	1h														
循环	-25±2℃	1h														
	20±5℃	1h														
	80±5℃	1h														
2.4.4	Humidity test 耐湿性	(1) Temperature : 40±2℃ 温度: 40±2℃ (2) relative humidity: 90~95%RH 相对湿度:90~95%RH (3) Duration of test: 96h 持续时间: 96 小时 (3) Take off a drop water 去掉水珠 (4) Standard conditions after test : 1h 试验后的放置条件: 1 小时	Contact resistance 50mΩ max No. 2.1.2 to 2.1.4 and No. 2.2.1 to 2.2.2 shall Be satisfied 接触电阻 50mΩ以下 满足2.1.2 到2.1.4 项、2.2.1 到2.2.2 项.													
2.4.5	Salt mist Test 盐雾实验	The switch shall be subjugted to a fime mist of salt solution at a temperature of 35±2℃ for 12H continuously (salt solution concentration 5±1% by weight) 温度: 35±2℃ 浓度: 5±1% 时间: 24H After immersing , salt deposit shall be removed by running water. 试验后, 将盐沉积物用水冲掉	No remarkable corrosion shall be recognized in metal parts 在金属件上没有严重腐蚀斑点													

 KOREAN HROPARTS ELECTRONICS CO.,LTD		文件编号 FILE NO.	HR-SPEC-004	页码 PAGE	5/5
		发布日期 DATE OF ISSUE	2012年03月28日		
PRODUCT SPECIFICATION 产品承认书		文件版本 EDITION	第A版 第0次修订		
Title 名称	PJ 插座 PHONE JACKES	产品料号 PART NO.	PJ 插座系列		

3. Precaution 注意事项 3.1 Soldering condition 浸焊条件

ITEM项目	CONDITION条件
Preheat temperature 预热温度	110°C max (Embilomental temperature of soldering surface of P. W. E) 110°C 以下(印刷基板焊锡面周围的温度)
Preheat time 预热时间	60 sec, max 60 秒以内
Area of flux 助焊剂的面积	1/2 max of P. W. B. thickness 印刷基板厚度的 1/2 以内
Temperature of solder 焊锡温度	255°C max 255°C 以下
Time of immersion 浸焊时间	Within 5 sec 5 秒以内
Soldering number 浸焊次数	Within 2 times (But should bring down heat of the first soldering) 2 次以内 (但应把第一次焊锡的温度降下来)
Printed wiring board 印刷基板	Single sided copper-clad laminates 单面铜箔

(1) After switches were soldered, please be careful not to clean switches with solvent
插座浸焊后,注意不要用溶剂清洗.

(2) In the case of using soldering iron, soldering conditions shall be 350°C max and 3 sec. max
在使用烙铁的情况下,焊锡温度应在350°C 以下、3 秒以内.

(3) Right after switches were soldered; please be careful not to load on the knobs of switches.
浸焊后,注意不要在顶部施加负荷.

3.2 Design instructions(设计中应注意的事项)

(1) Follow recommended P. W. B. piercing plan in outside drawing page. 印刷基板的安装孔尺寸参见产品图.

(2) Design key top as fig. Design inclination of key top 4 deg. max as fig. (Recommended operating condition.)
击键部设计如图,击键部倾斜度如图在4 度以内.(参见操作条件).

3.3 Note(注意点)

(1) Please be cautious not to give excessive static load or shock to switches.
注意不要施加超负荷的压力或晃动插座.

(2) Please be careful not to pile up P. W. B. after switches were soldered.
插座焊接以后,印刷基板注意不要叠放.

(3) Preservation under high temperature and high humidity or corrosive gas should be avoided especially. When you need to preserve for a long period, do not open the carton.
保管时尤其应注意避开高湿高温和有腐蚀性气体的环境.如需长时间保存,请不要打开包装箱.

(4) Panasert RH and RH6 shall be used as the standard insert machine (use N type clinch).
使用标准插入机器PANASERT 和RH6 (使用N 式钉)

(5) Preservation under high temperature and high humidity or corrosive gas should be avoided especially, when you need to preserve for a long period, do not open the carton.

特别注意避免将产品保存在高温、强湿度或有腐蚀性气体的地方。若长期保存,请勿打开包装箱。

制表:

审核:

TTS

报告编号: WDZ1511301733

检测报告

样品名称: 防水耳机插座

委托单位: 东莞市韩荣电子有限公司

生产商: 韩荣部品

供应商: —

采购商: —

深圳市一通检测技术有限公司



This report is prepared and issued by the TTS company, subjected to its general conditions of service. TTS guarantees the scientificity, fairness and accuracy of all testing, is responsible for the testing data and keeps the confidentiality of the samples and technical information provided by the clients. The results of the tests listed are only for the sample(s) identified herein. Any report without authorized, checked signature, nor the special testing seal of the company, will be taken as being of no effect. This test report cannot be copied or reproduced, except in full, without prior written permission of the company. Any unauthorized alteration or falsification of the content or appearance of this report is unlawful and the offenders may be prosecuted to the fullest extent of the law.

Shenzhen Yitong Testing Technology Co., Ltd.
深圳市一通检测技术有限公司

F3, Block 11A, Guanfeng No. 1 Industrial Zone, XII Town, Nanshan District, Shenzhen, Guangdong, China
Hotline: 4000104070 Tel: +86 755-86114499 Fax: +86 755-86114466 www.sztt.com

中国·广东省深圳市南山区西丽镇留仙洞第一工业区11A0303B



检测报告

编号: WZ1511301733

日期: 2015-11-30

第 1 页 共 4 页

委托单位: 东莞市韩荣电子有限公司

地址: 中国广东省东莞市塘厦镇 138 工业区宏业北二横路 1 号

样品信息

样品名称: 防水耳机插座
样品编号: WZH1511251733-1/2
样品型号: PJ-611
样品尺寸: ---
样品重量: ---
样品数量: 2 个
样品状况: 正常
送检方式: 客户送样
生产商: 韩荣部品

检测信息

检测项目: IPX8
收样日期: 2015-11-24
检测日期: 2015-11-25
样品调节: ---

检测结论

合格。
试验后, 两样品内部均无进水。



批准人:

核验人: 钱宝峰

检测员: 朱文乾

This report is prepared and issued by the TTS company subjected to its general conditions of service. TTS guarantees the scientificity, fairness and accuracy of all tests. It is responsible for its testing data and keeps the confidentiality of the sample(s) and technical information provided by the clients. The result shown in this test is only for the sample(s) identified herein. Any report without authorized, checked signature, nor the special testing seal of the company, will be taken as being of no effect. This test report cannot be copied or reproduced, except in full, without prior written permission of the company. Any unauthorized alteration or falsification of the content or appearance of this report is unlawful and the offenders may be prosecuted to the fullest extent of the law.

检测项目 1: IPX8

1. 检测依据: IEC 60529: 2013

2. 检测设备:

设备名称	设备型号	设备编号	校准有效期
秒表	PC220	TTS-YQ-045	2016年1月19日
浸水桶	---	TTS-FZH-085	---

3. 检测方法说明:

- (1) 将样品置于浸水桶内, 样品最低点与水面保持 1500mm 的距离;
- (2) 浸水时间为 90min;
- (3) 试验后检查样品内部是否有水进入。

注: 试验前, 将耳机插孔用橡皮泥封住。



This report is prepared and issued by the TTS company subjected to its general conditions of service. TTS guarantees the scientificity, fairness and accuracy of all testing, is responsible for the testing data and keeps the confidentiality of the sample(s) and technical information provided by the clients. The result and conclusion of the test is only for the sample(s) identified herein. Any report without authorized, checked signature, nor the special testing seal of the company, will be taken as being of no effect. This test report cannot be copied or reproduced, except in full, without prior written permission of the company. Any unauthorized alteration or falsification of the content or appearance of this report is unlawful and the offenders may be prosecuted to the fullest extent of the law.

附录: 试验照片

试验前:



样品 WZH1511251733-1



样品 WZH1511251733-2

试验中:



IPX8



This report is prepared and issued by the TTS company subjected to its general conditions of service. TTS guarantees the scientificity, fairness and accuracy of all testing, is responsible for the testing data and keeps the confidentiality of the samples and technical information provided by the clients. The result of this test is only to the sample(s) identified herein. Any report without authorized, checked signature, nor the special testing seal of the company, will be taken as being of no effect. This test report cannot be copied or reproduced except in full, without prior written permission of the company. Any unauthorized alteration or falsification of the content or appearance of this report is unlawful and the offenders may be prosecuted to the fullest extent of the law.

试验后:

样品 WZH1511251733-1:



样品内部无进水

样品 WZH1511251733-2:



样品内部无进水

—— 以下空白 ——



This report is prepared and issued by the TTS company subjected to its general conditions of service. TTS guarantees the scientificity, fairness and accuracy of all testing. TTS is responsible for the testing data and keeps the confidentiality of the sample(s) and technical information provided by the clients. The result and the test is only to the sample(s) identified herein. Any report without authorized, checked signature, nor the special testing seal of the company, will be taken as being of no effect. This test report cannot be copied nor reproduced, except in full, without prior written permission of the company. Any unauthorized alteration or falsification of the content or appearance of this report is unlawful and the offenders may be prosecuted to the fullest extent of the law.

X-ON Electronics

Largest Supplier of Electrical and Electronic Components

Click to view similar products for [Circular DIN Connectors](#) category:

Click to view products by [HRO parts manufacturer](#):

Other Similar products are found below :

[M83723/76W22326](#) [M83723/78R22327](#) [D38999/26FE99SN L/C](#) [75-069228-21J](#) [7519021610P](#) [75-190224-28S](#) [75-474014-07L](#)
[803000A09M040](#) [FGG.1K.314.CLAK75](#) [FRCIR030FP-28-21S](#) [FRCIR030RFP-40A-38P-F80](#) [FRCIR06F-40A-38S-F80](#) [FRCIR06R-14S-6S](#)
[88-569723-03P](#) [88-569735-06P](#) [88-569769-19P](#) [88-569785-06I](#) [8R3006A18M0033](#) [GTC00G-24-7S](#) [PT05A-14-18SW\(023\)](#) [PT05A-14-5SX](#)
[PT05A1832SW](#) [PT05A2041SX](#) [GTC030-20-27PW-LC](#) [GTC030A-20-33S](#) [GTC06R20-22P-025-LC](#) [1211290078](#) [1211810025](#) [ACC06AF-](#)
[20-23P\(003\)](#) [1210503216](#) [1211290084](#) [ACS06AF-16-10P\(003\)](#) [D38999/40FB35AN](#) [D38999/40FB35BB](#) [D38999/40WB35BN](#)
[D38999/40WD35PN](#) [D38999/40WJ29SN-L/C](#) [D38999/40WJ4BN](#) [D38999/42FB35BN](#) [D38999/42WB35AB](#) [D38999/42WB35PB-L/C](#)
[D38999/42WJ19AN](#) [D38999/44WH21AN](#) [D38999/44WH35AN](#) [D38999/44WJ29BA](#) [D38999/44WJ35PN](#) [D38999/44WJ61BA](#)
[D38999/46WF32PN-L/C](#) [D38999/46WF32PN\(LESS CONT](#) [12DL6MX](#)