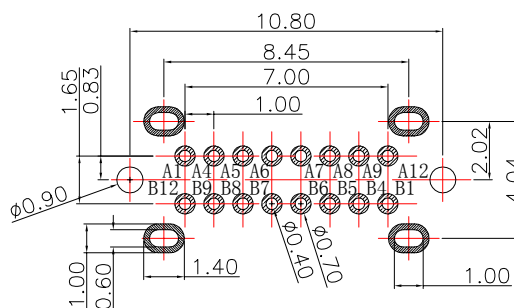
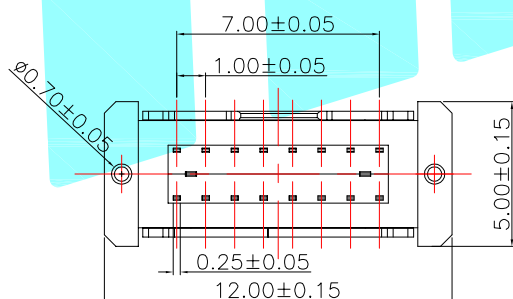
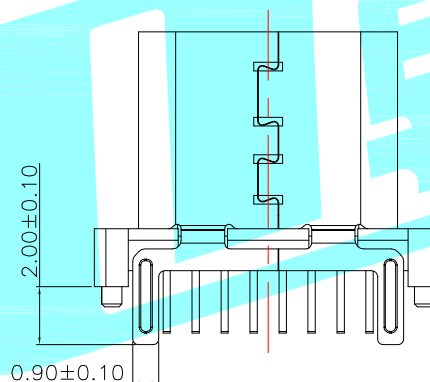
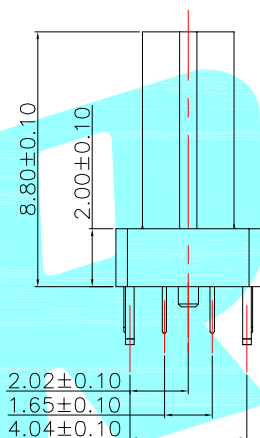
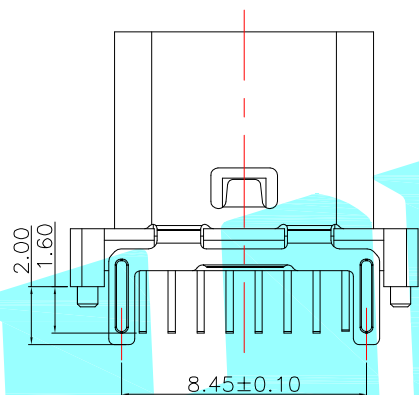


NOTE:

- 1.MATERIAL SPECIFICATION:
 - 1.HOUSING:LCP.
 - 2.CONTACTS:PHOSPHOR BRONZE,Ni/Au PLATED
 - 3.FRONT SHELL: STAINLESS STEEL,Ni PLATED
- 2.MECHANICAL PERFORMANCE,
 - 2-1.INSERTION FORCE: 2.2kgf MAX.
 - 2-2.REMOVAL FORCE: 1.02kgf MIN.
 - 2-3.LIFE: 10000 CYCLES.
- 3.ELECTRICAL PERFORMANCE,
 - 3-1. CURRENT RATING: 5.0A
 - 3-2. CONTACT RESISTANCE: 30MΩ MAX
 - 3-3.INSULATION RESISTANCE: 100MΩ MIN
 - 3-4.DIELECTRIC WITHSTAND VOLTAGE,AC 250V
4. ENVIRONMENTAL PERFORMANCE:
 - OPERATING TEMPERATURE: -25°C~+85°C.



RECOMMENDED P.C.B. LAYOUT
TOLERANCE UNSPECIFIED ±0.05mm

A1	GND	B12	GND
A4	VBUS	B9	VBUS
A5	CC1	B8	SBU2
A6	D+	B7	D-
A7	D-	B6	D+
A8	SBU1	B5	CC2
A9	VBUS	B4	VBUS
A12	GND	B1	GND
PIN	SIGNAL NAME	PIN	SIGNAL NAME

APPROVALS		DATE														
DRAWN	LIUCAN	2021.7.18				TITLE:	USB CONNECTOR									
CHECKED			PART NO.	TYPE-C-31-D-10												
APPROVALS			TOLERANCES ARE	<table border="1"> <tr> <td>30~以上</td> <td>±0.30</td> </tr> <tr> <td>10~30</td> <td>±0.25</td> </tr> <tr> <td>5~10</td> <td>±0.20</td> </tr> <tr> <td>~ 5</td> <td>±0.15</td> </tr> </table>	30~以上	±0.30	10~30	±0.25	5~10	±0.20	~ 5	±0.15	ANGLE	UNIT: mm	SCALE: 1:1	PROJ:
30~以上	±0.30															
10~30	±0.25															
5~10	±0.20															
~ 5	±0.15															
			~ ±'	DRAWING NO.		SHEET 1 OF 1										

ECN NO.	REV.	DATE.	DESCRIPTION.	CHANGE.	CHECK.	APPRO.
	A		NEW			

X-ON Electronics

Largest Supplier of Electrical and Electronic Components

Click to view similar products for [USB Connectors](#) category:

Click to view products by [HRO parts manufacturer](#):

Other Similar products are found below :

[950](#) [A-USB A-LP-SMT-C](#) [A-USB B-TOP-C](#) [MUSBD11135](#) [17-200721](#) [217450-1](#) [KMBVX-TH-5S-B30](#) [KUSBX-AS2N-W](#) [KUSBX-SMT2AP1S-W30](#) [935](#) [957](#) [30-498-6](#) [SK-60A-2](#) [1734082-1](#) [30-470](#) [30-489](#) [30-541](#) [MAB 5 S](#) [A-USB A-2P-C](#) [MIKROE-1451](#)
[USBFTVSCCG](#) [1-1734084-2](#) [MUSBA81130](#) [NK-27-32SL](#) [NK-L8-22C-5/8](#) [10135326-001LF](#) [4198](#) [690-024-633-031](#) [UB-20PMFP-LC7001](#)
[17-200011](#) [UB-20AFMM-LL7A01](#) [CAP-WCCMLPB1](#) [CAP-WCCMLPC1](#) [2274475-3](#) [914-614A2025S10200](#) [USB3FTV7SAGF059](#)
[USB3FTV2SAZNF459](#) [USB3FTV7SAZNF459](#) [HYCW153-USBD05-500B](#) [HYCW219-USBD05-075B](#) [HYCW148-USBD05-117B](#)
[HYCW149-USBD05-740B](#) [HYCW204-USBD05-108B](#) [HYCW214-USBA04-113B](#) [HYCW213-USBA04-113B](#) [KMMX-BSMT35S-1-B30TR](#)
[2345986-1](#) [10082141-N340LF](#) [10117836-011LF](#) [GSB3C3133DSYHR](#)