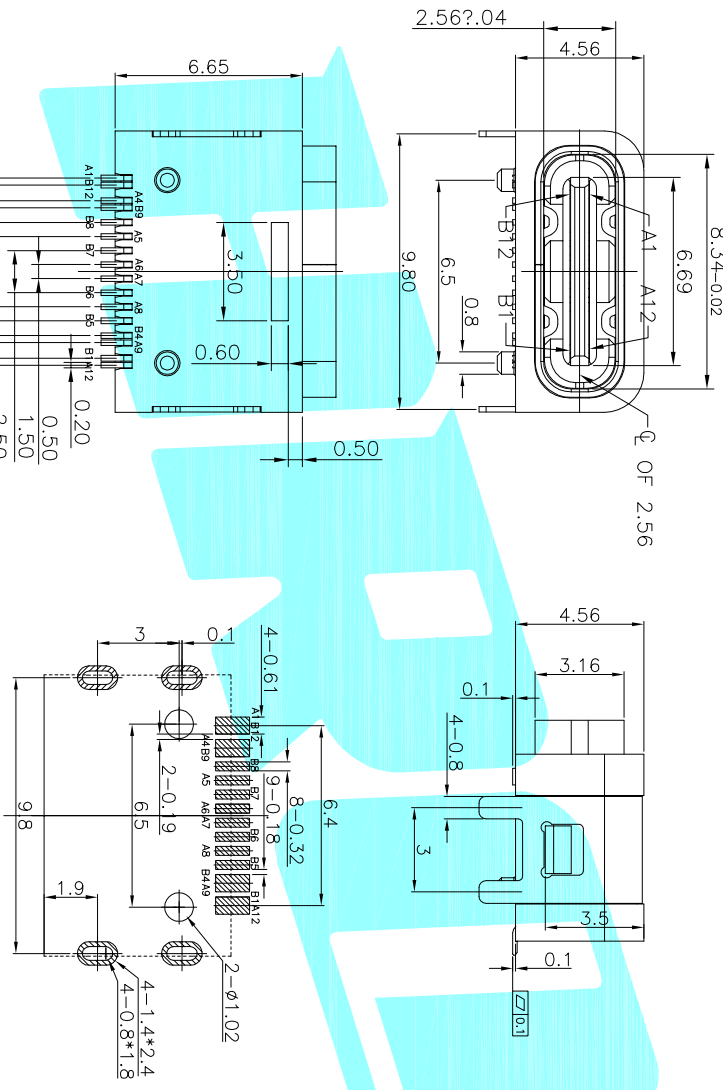
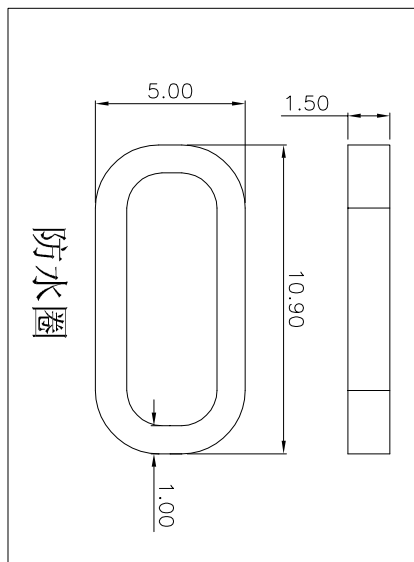
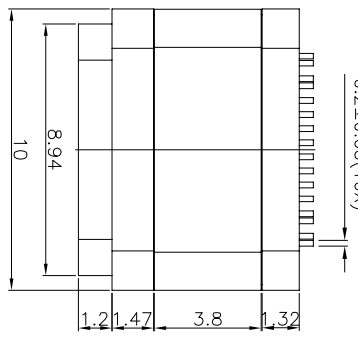


0.2±0.05(16X)



RECOMMENDED PCB LAYOUT
Tolerance: ±0.05mm

- NOTE:
1. MATERIAL SPECIFICATION:
 1. HOUSING: HIGH TEMPERATURE RESISTANT PLASTIC, UL94 V-0.
 2. CONTACTS: COPPER ALLOY
 3. MID PLATE: STAINLESS STEEL
 4. FRONT SHELL: STAINLESS STEEL
 2. PLATING SPECIFICATION:
 - 2-1. CONTACTS: Ni: 50u" MIN. UNDER PLATED OVER ALL. Au PLATED ON THE FUNCTIONAL AREA OF CONTACT. (GOLD PLATING THICKNESS FOLLOW THE P/N)
 - 2-2. FRONT SHELL: Ni: 30u" MIN. UNDER PLATED OVER ALL.
 - 2-3. MID PLATE: CLEAR ONLY
 3. MECHANICAL PERFORMANCE,
 - 3-1. INSERTION FORCE: 0.5~2.0kgf.
 - 3-2. REMOVAL FORCE: 0.8kgf~2.0kgf.
 - 3-3. DURABILITY: 10000 CYCLES.
 4. ELECTRICAL PERFORMANCE,
 - 4-1. CURRENT RATING: 3.0A VOLTAGE RATING: 5.0V
 - 4-2. VBUS & GND PINS AND OTHER PINS: 40mΩ/PIN MAX. SHIELD: 50mΩ/MAX. LCR MAX. CHANGE OF ALL PINS: 10mΩ.
 - 4-3. INSULATION RESISTANCE: 100MΩ MIN
 - 4-4. DIELECTRIC WITHSTAND VOLTAGE: AC 100V FOR 1 MINUTE.
 5. ENVIRONMENTAL PERFORMANCE:
 - OPERATING TEMPERATURE: -25°C~+85°C.

THE PEAK TEMPERATURE ON THE BOARD SHALL BE MAINTAINED FOR 10 SECONDS AT 260°C.

⑥	防水圈	1	硅胶	Black	
⑤	Shell	1	STAINLESS STEEL	Ni Plated	
④	SHIELDING PLATE	1	STAINLESS STEEL	Ni Plated	
③	Contact	16	COPPER ALLOY	TIN/Au/Ni Plated	
②	Shell Housing	1	HIGH TEMPERATURE PLASTIC	Black	
①	Housing	1	HIGH TEMPERATURE PLASTIC	Black	
ITEM	PART NAME	TER'NO.	QTY.	MATERIAL	FINISHING
APPROVALS		DATE			

DRAWN: JIANKUN.LIU 2018.08.01
 TITLE: USB CONNECTOR
 ELECTRONICS CO.,LTD

CHECKED		TITLE:	USB CONNECTOR	
APPROVALS		PART NO.	TYPE-C-31-E-02	
TOLERANCES ARE	30~0.1 ±0.30 10~30 ±0.25 5~10 ±0.20 ~5 ±0.15	ANGLE	SCALE: 1:1	PROJ:
		UNIT: mm	DRAWING NO.	SHEET 1 OF 1

ECN NO.	REV.	DATE.	DESCRIPTION.	CHANGE.	CHECK.	APPRO.
	A		NEW			

X-ON Electronics

Largest Supplier of Electrical and Electronic Components

Click to view similar products for [USB Connectors](#) category:

Click to view products by [HRO parts manufacturer](#):

Other Similar products are found below :

[10033527-N3112MLF](#) [17-210561](#) [GMCB05B11124H1EU](#) [17-200931](#) [65-647-8-BK-BU](#) [690-010-295-484](#) [73725-1191BLF](#) [950](#) [E8144-B01021-L](#) [A-USB A-LP-SMT-C](#) [A-USB B-TOP-C](#) [MUSBA511N5](#) [MUSBB15131](#) [MUSBC111M5](#) [MUSBD11135](#) [217450-1](#) [CA 6 W LD](#)
[896-30-004-00-000000](#) [KUSBVX-BS1N-W30](#) [KUSBX-AP-KIT-SCBLK](#) [KUSBX-AS2N-W](#) [KUSBX-SMT2AP1S-W](#) [KUSBX-SMTAS1NBTR](#) [KUSBX-SMTBS1NBTR](#) [30-498-6](#) [SK-60A-2](#) [17-200261](#) [17-210051](#) [1734082-1](#) [FK-37-32SL](#) [30-1574](#) [30-470](#) [30-489](#) [30-541](#) [30-572-3](#) [30-9503](#) [M9177/2-1](#) [MAB 5 S](#) [MIKROE-1451](#) [33UBBR-04SW11R](#) [USBFTV2PEM2G](#) [USBFTVC6ZN](#) [USBFTVSCCG](#)
[KUSBX-AS2N-W30](#) [KUSBX-SLAS1N-W](#) [KUSBX-SLAS1N-W30](#) [1-1734084-2](#) [E8110-001-01](#) [MUSBC11135](#) [NK-27-32SL](#)